

AV RECEIVER

RX-V571/HTR-5064

SERVICE MANUAL

IMPORTANT NOTICE

This manual has been provided for the use of authorized YAMAHA Retailers and their service personnel. It has been assumed that basic service procedures inherent to the industry, and more specifically YAMAHA Products, are already known and understood by the users, and have therefore not been restated.

WARNING: Failure to follow appropriate service and safety procedures when servicing this product may result in personal injury, destruction of expensive components, and failure of the product to perform as specified. For these reasons, we advise all YAMAHA product owners that any service required should be performed by an authorized YAMAHA Retailer or the appointed service representative.

IMPORTANT: The presentation or sale of this manual to any individual or firm does not constitute authorization, certification or recognition of any applicable technical capabilities, or establish a principle-agent relationship of any form.

The data provided is believed to be accurate and applicable to the unit(s) indicated on the cover. The research, engineering, and service departments of YAMAHA are continually striving to improve YAMAHA products. Modifications are, therefore, inevitable and specifications are subject to change without notice or obligation to retrofit. Should any discrepancy appear to exist, please contact the distributor's Service Division.

WARNING: Static discharges can destroy expensive components. Discharge any static electricity your body may have accumulated by grounding yourself to the ground buss in the unit (heavy gauge black wires connect to this buss).

IMPORTANT: Turn the unit OFF during disassembly and part replacement. Recheck all work before you apply power to the unit.

■ CONTENTS

TO SERVICE PERSONNEL	2
FRONT PANELS	3
REAR PANELS	4-7
REMOTE CONTROL PANEL	8
SPECIFICATIONS / 参考仕様	9-14
INTERNAL VIEW	15
SERVICE PRECAUTIONS / サービス時の注意事項	15
DISASSEMBLY PROCEDURES / 分解手順	16-18
UPDATING FIRMWARE / ファームウェアのアップデート	19-20
SELF-DIAGNOSTIC FUNCTION / ダイアグ (自己診断機能)	21-57
DISPLAY DATA	58-59
IC DATA	60-70
BLOCK DIAGRAM	71
PRINTED CIRCUIT BOARDS	72-89
PIN CONNECTION DIAGRAMS	90
SCHEMATIC DIAGRAMS	91-104
REPLACEMENT PARTS LIST	105-123
REMOTE CONTROL	124-126
CONFIGURING THE SYSTEM SETTINGS	127
システム設定を変更する	128



このサービスマニュアルは、エコマーク認定の再生紙を使用しています。
This Service Manual uses recycled paper.

101210

Copyright © 2011 YAMAHA CORPORATION All rights reserved.
This manual is copyrighted by YAMAHA and may not be copied or
redistributed either in print or electronically without permission.



YAMAHA CORPORATION
P.O.Box 1, Hamamatsu, Japan

'11.04

■ TO SERVICE PERSONNEL

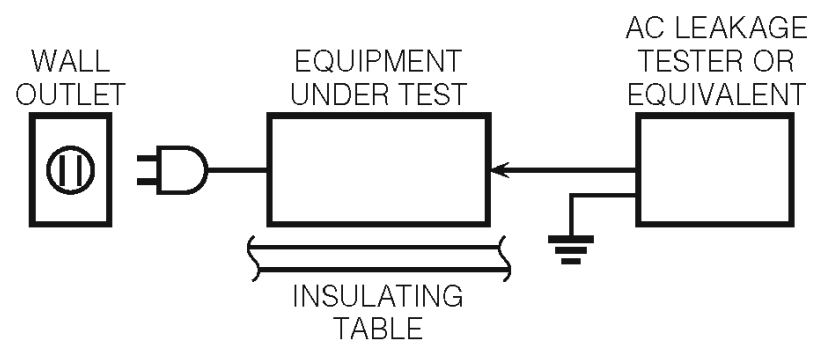
1. Critical Components Information

Components having special characteristics are marked Δ and must be replaced with parts having specifications equal to those originally installed.

2. Leakage Current Measurement (For 120V Models Only)

When service has been completed, it is imperative to verify that all exposed conductive surfaces are properly insulated from supply circuits.

- Meter impedance should be equivalent to 1500 ohms shunted by 0.15 μ F.



- Leakage current must not exceed 0.5mA.
- Be sure to test for leakage with the AC plug in both polarities.



For U model

“CAUTION”

“F3702: FOR CONTINUED PROTECTION AGAINST RISK OF FIRE, REPLACE ONLY WITH SAME TYPE 6A, 125V FUSE.”

For C model

CAUTION

F3702: REPLACE WITH SAME TYPE 6A, 125V FUSE.

ATTENTION

F3702: UTILISER UN FUSIBLE DE RECHANGE DE MÊME TYPE DE 6A, 125V.

WARNING: CHEMICAL CONTENT NOTICE!

This product contains chemicals known to the State of California to cause cancer, or birth defects or other reproductive harm.

DO NOT PLACE SOLDER, ELECTRICAL/ELECTRONIC OR PLASTIC COMPONENTS IN YOUR MOUTH FOR ANY REASON WHATSOEVER!

Avoid prolonged, unprotected contact between solder and your skin! When soldering, do not inhale solder fumes or expose eyes to solder/flux vapor!

If you come in contact with solder or components located inside the enclosure of this product, wash your hands before handling food.

About lead free solder / 無鉛ハンダについて

All of the P.C.B.s installed in this unit and solder joints are soldered using the lead free solder.

Among some types of lead free solder currently available, it is recommended to use one of the following types for the repair work.

- Sn + Ag + Cu (tin + silver + copper)
- Sn + Cu (tin + copper)
- Sn + Zn + Bi (tin + zinc + bismuth)

Caution:

As the melting point temperature of the lead free solder is about 30°C to 40°C (50°F to 70°F) higher than that of the lead solder, be sure to use a soldering iron suitable to each solder.

本機に搭載されているすべての基板およびハンダ付けによる接合部は無鉛ハンダでハンダ付けされています。

無鉛ハンダにはいくつかの種類がありますが、修理時には下記のような無鉛ハンダの使用を推奨します。

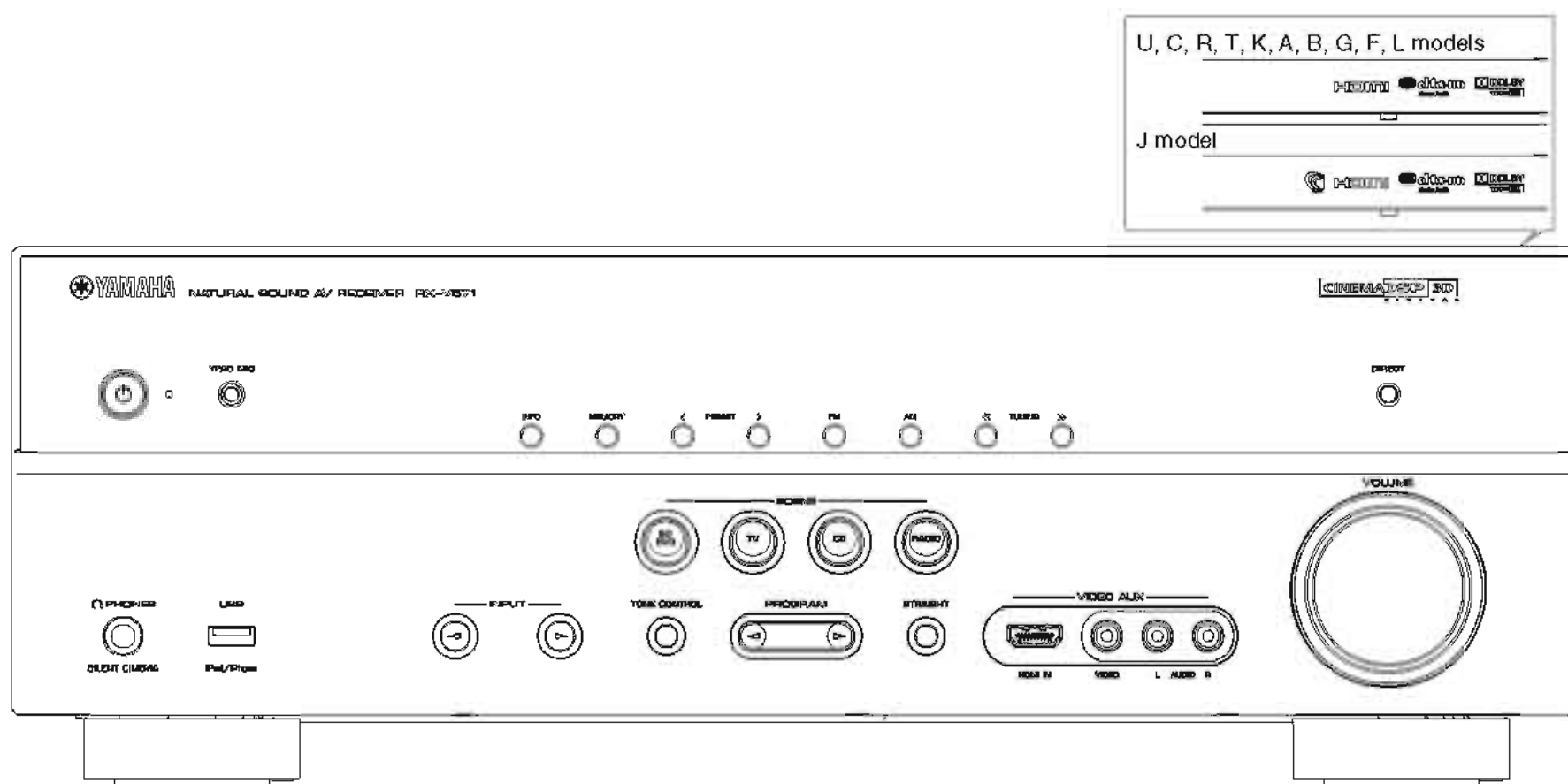
- Sn+Ag+Cu (錫 + 銀 + 銅)
- Sn+Cu (錫 + 銅)
- Sn+Zn+Bi (錫 + 亜鉛 + ビスマス)

注意：

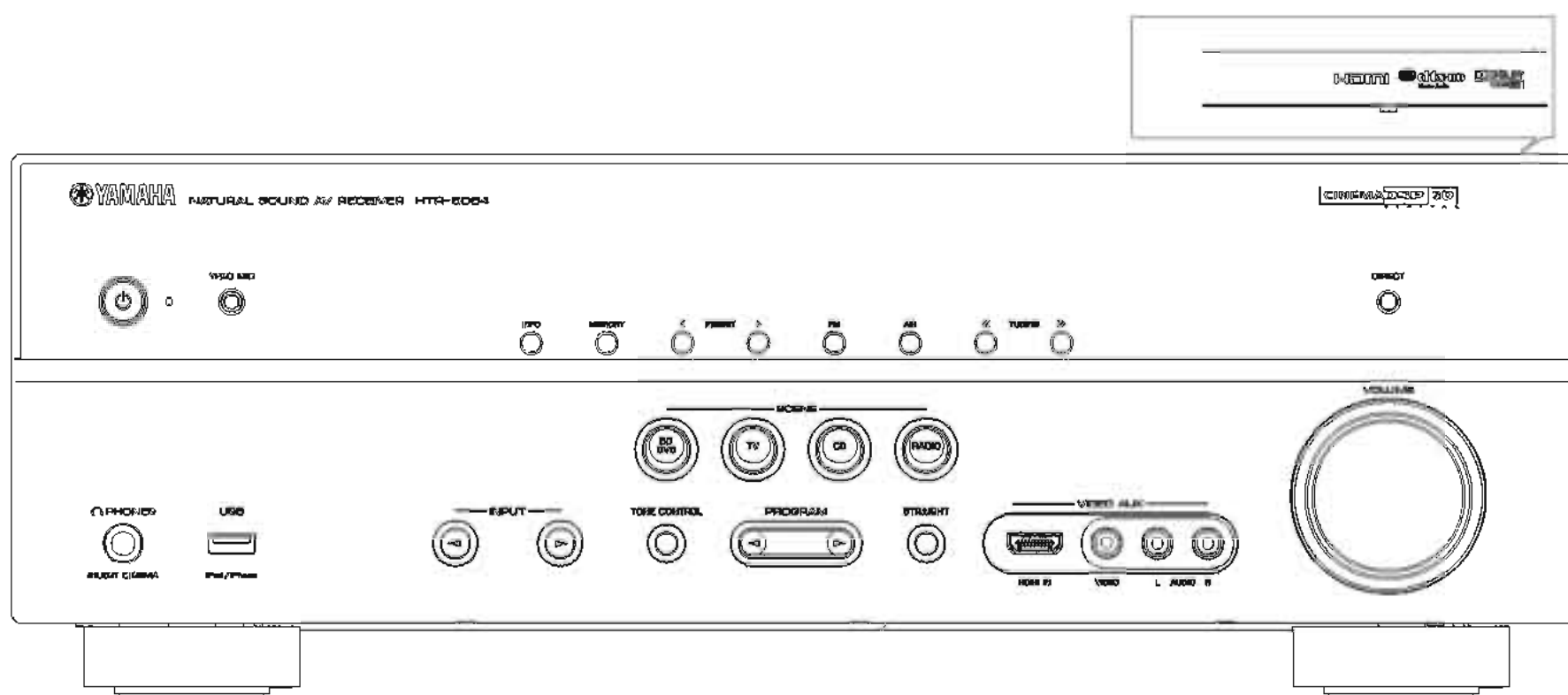
無鉛ハンダの融点温度は通常の鉛入りハンダに比べ 30 ~ 40°C程度高くなっていますので、それぞれのハンダに合ったハンダごてをご使用ください。

FRONT PANELS

RX-V571 (U, C, R, T, K, A, B, G, F, L, J models)

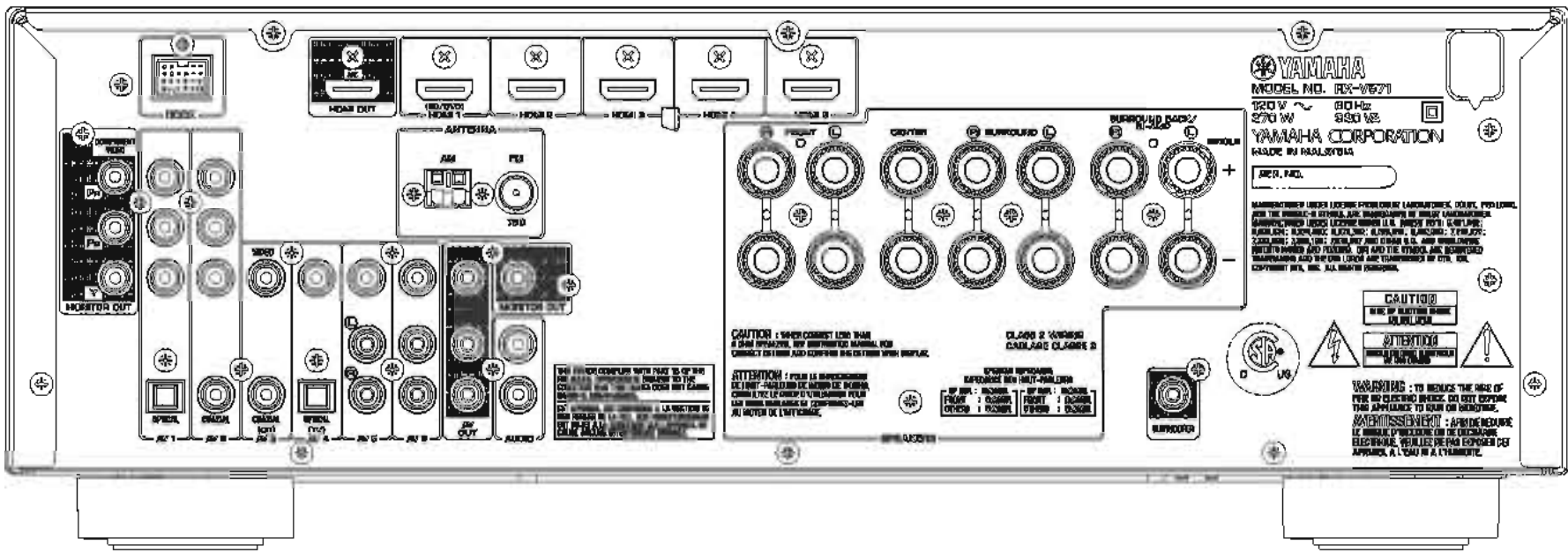


HTR-5064 (U, K, G, F models)

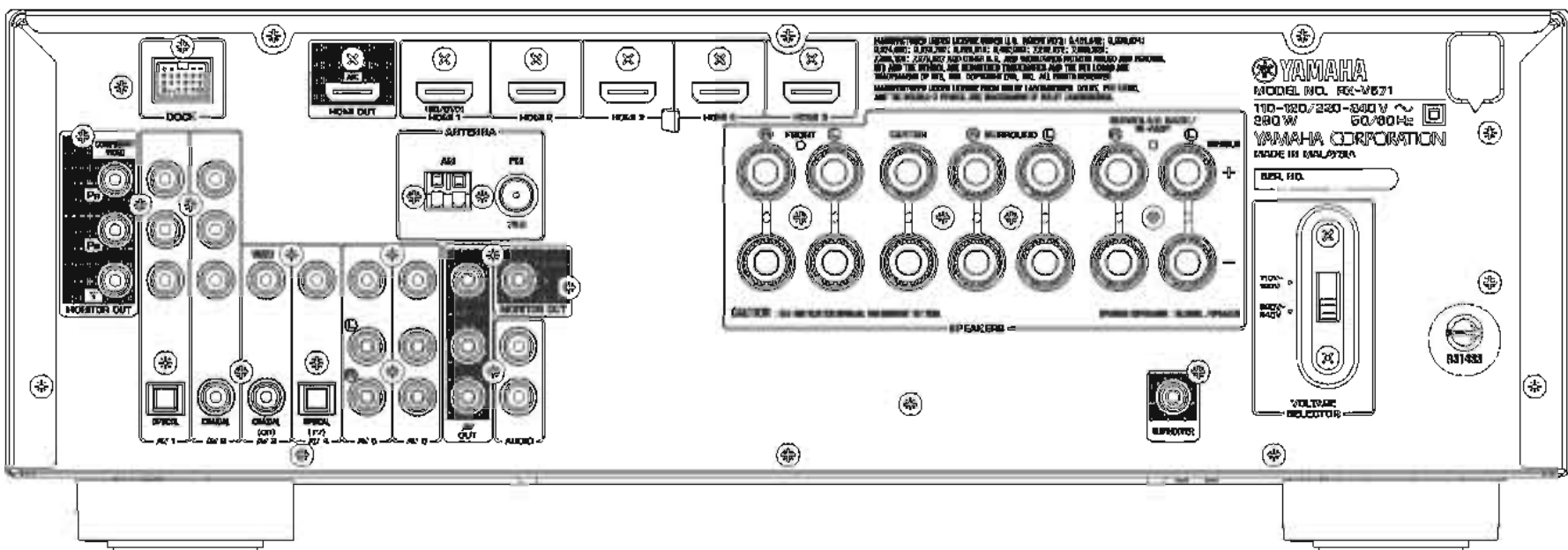


REAR PANELS

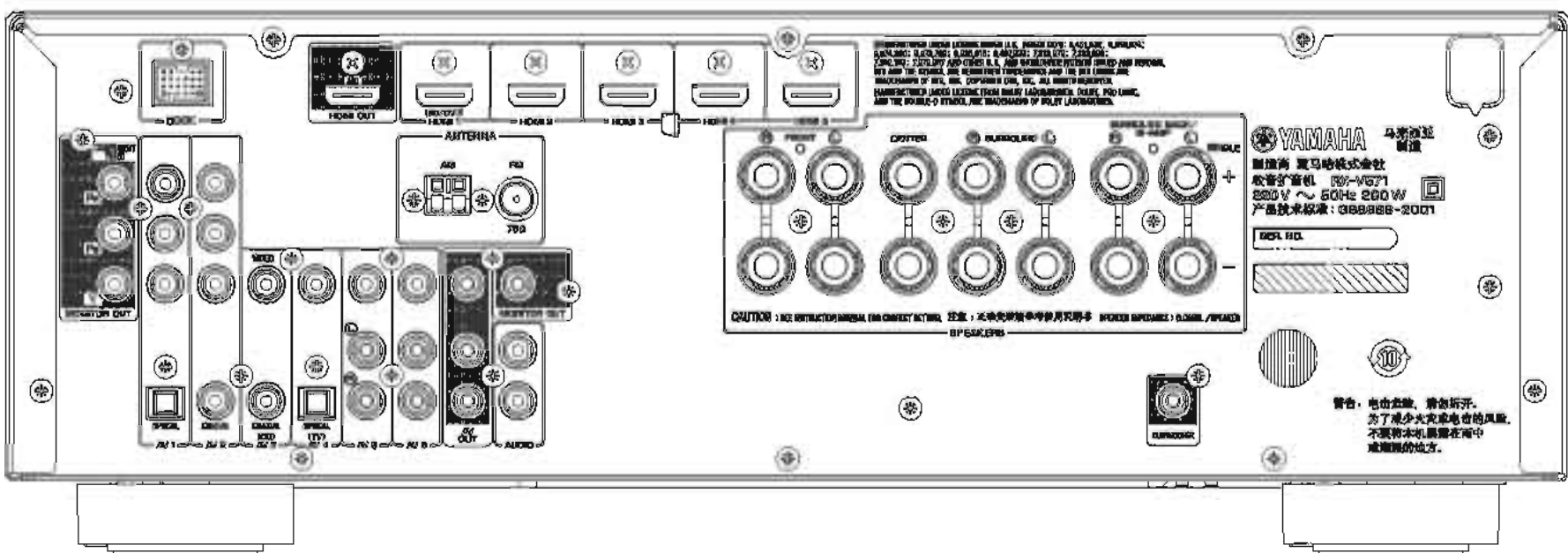
RX-V571 (U, C models)



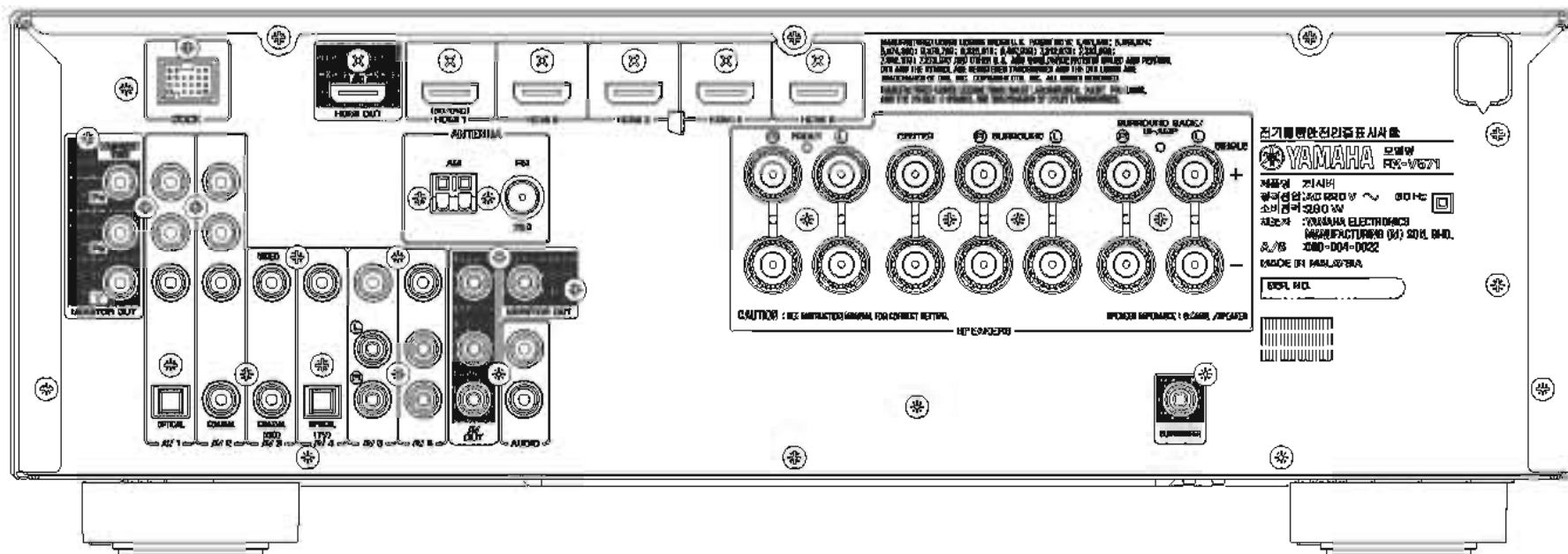
RX-V571 (R model)



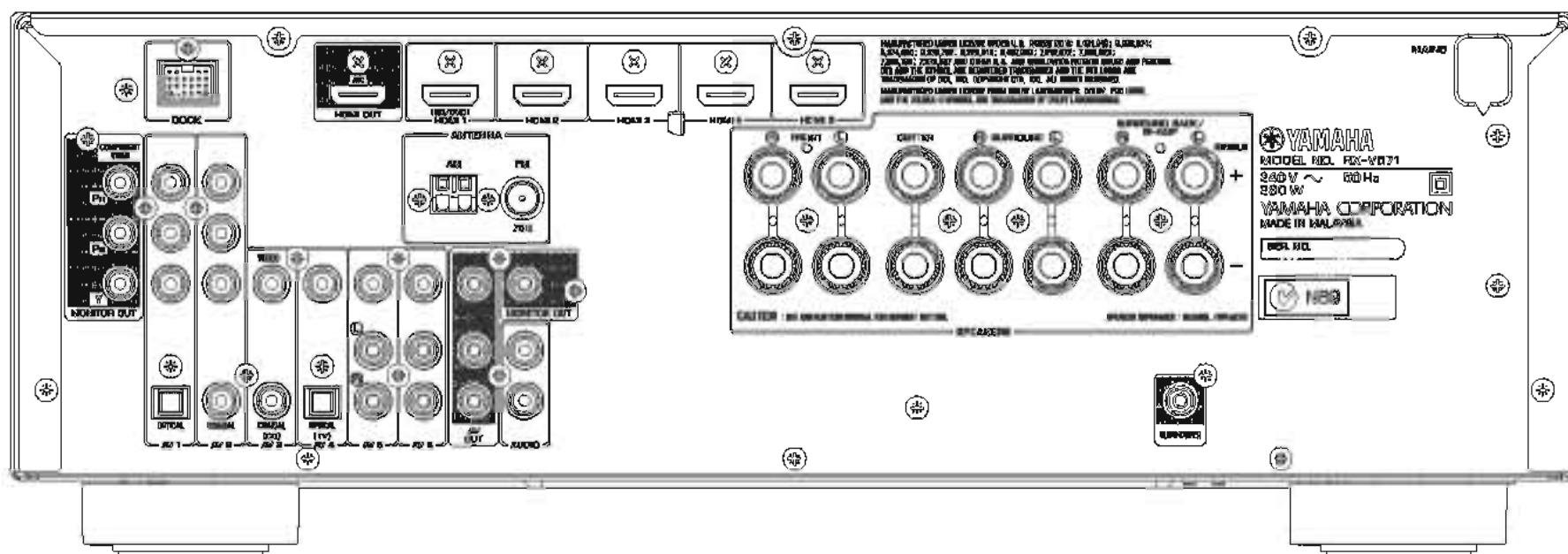
RX-V571 (T model)



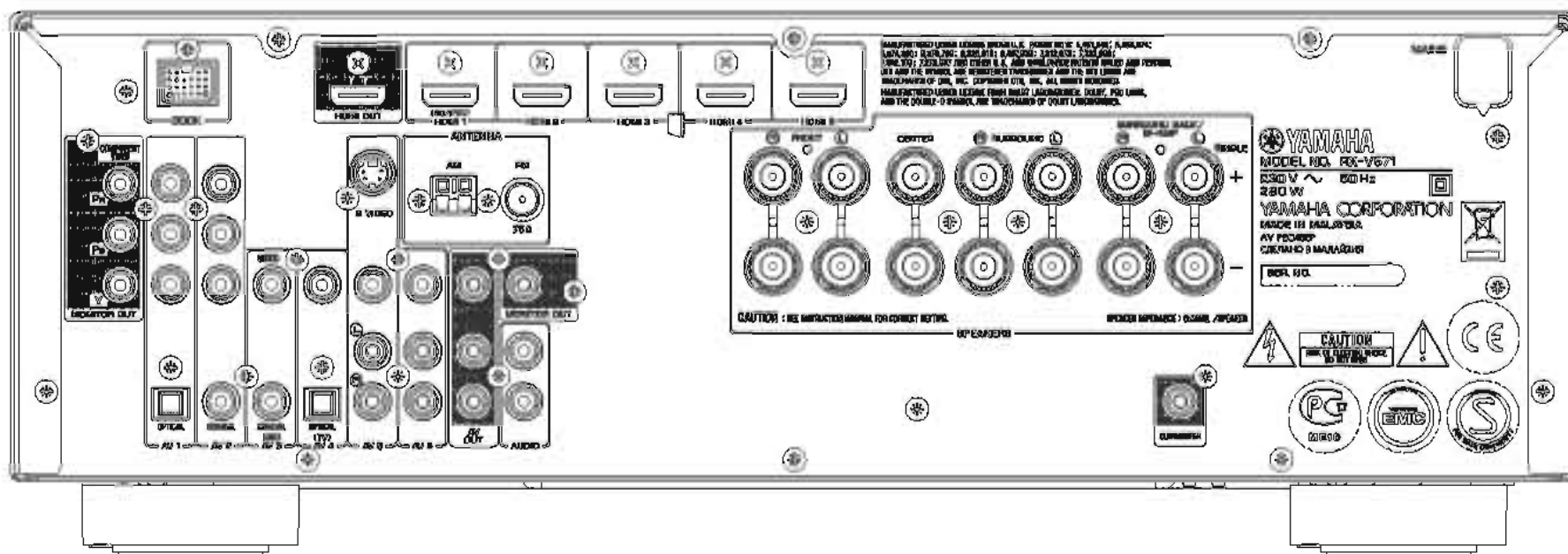
RX-V571 (K model)



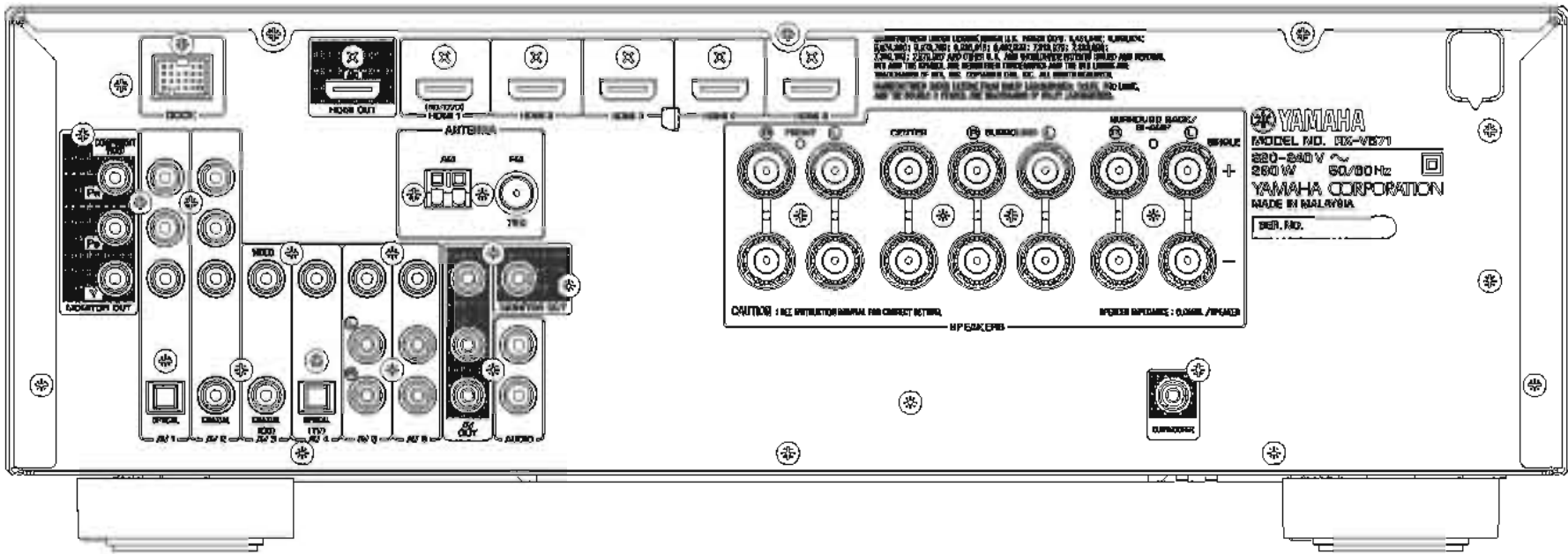
RX-V571 (A model)



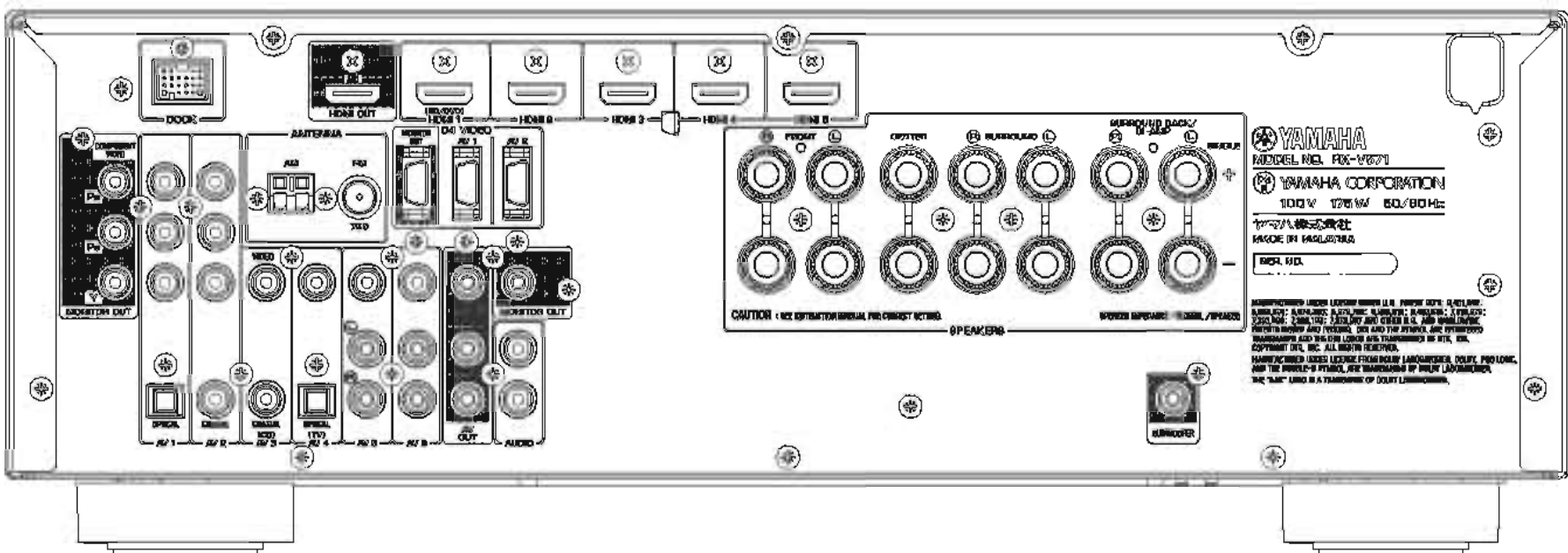
RX-V571 (B, G, F models)



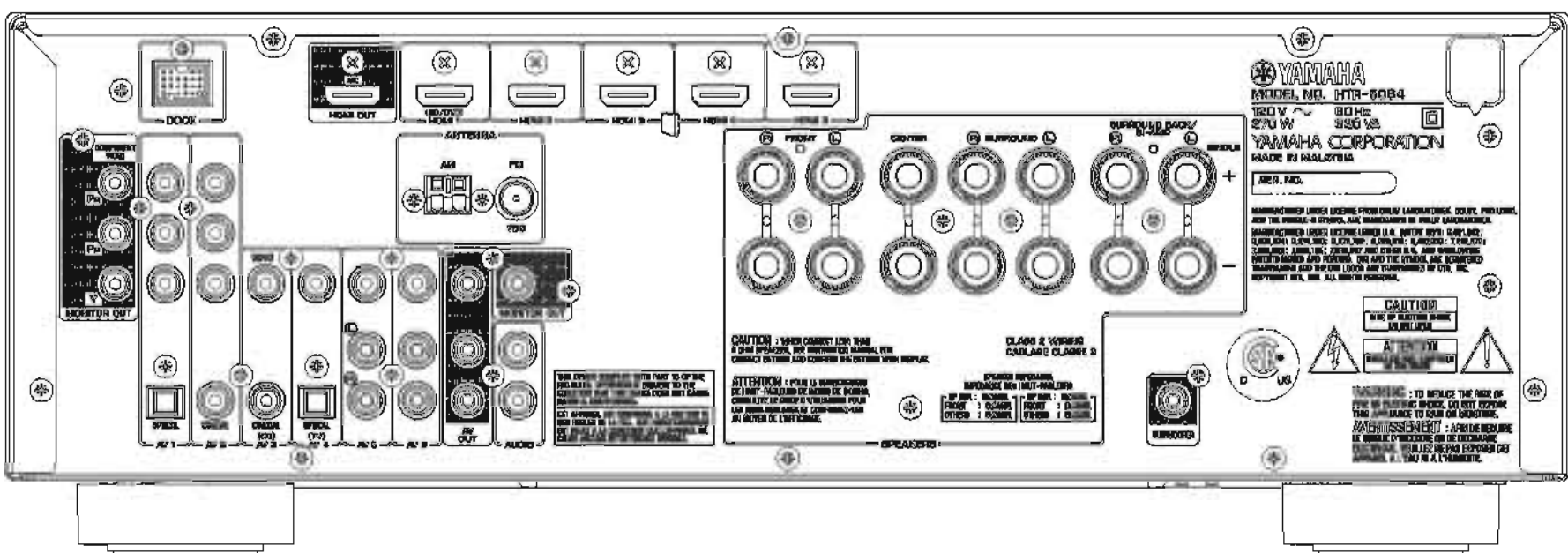
RX-V571 (L model)



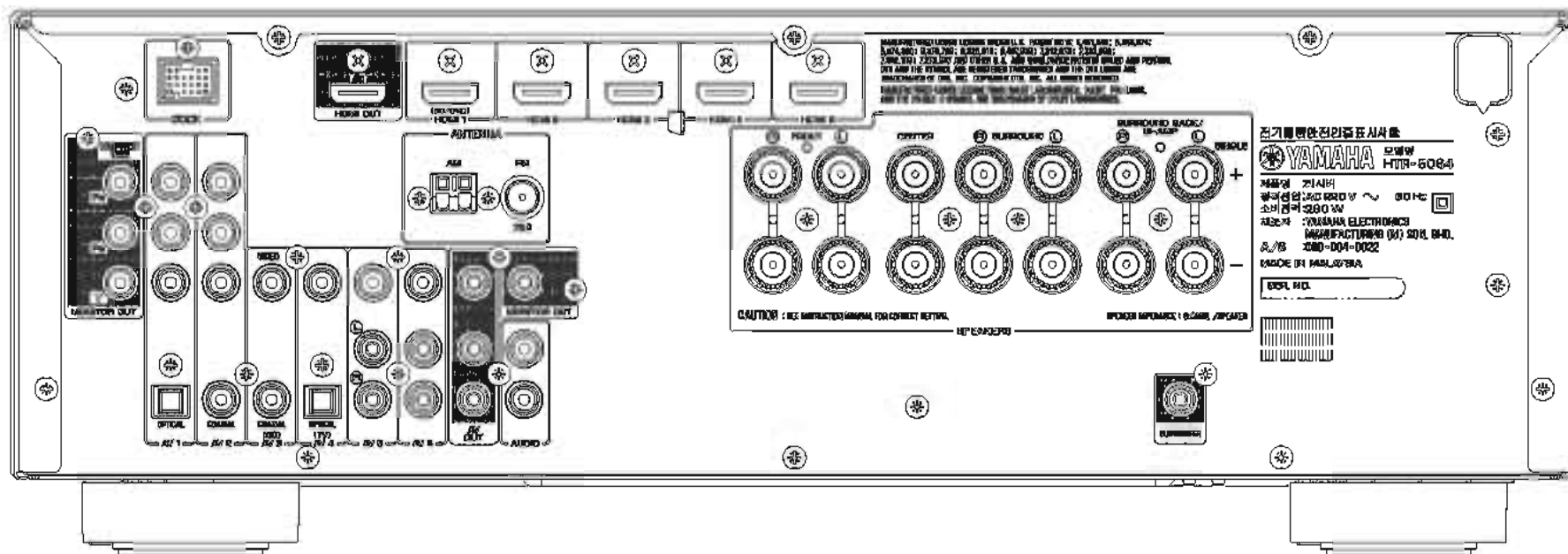
RX-V571 (J model)



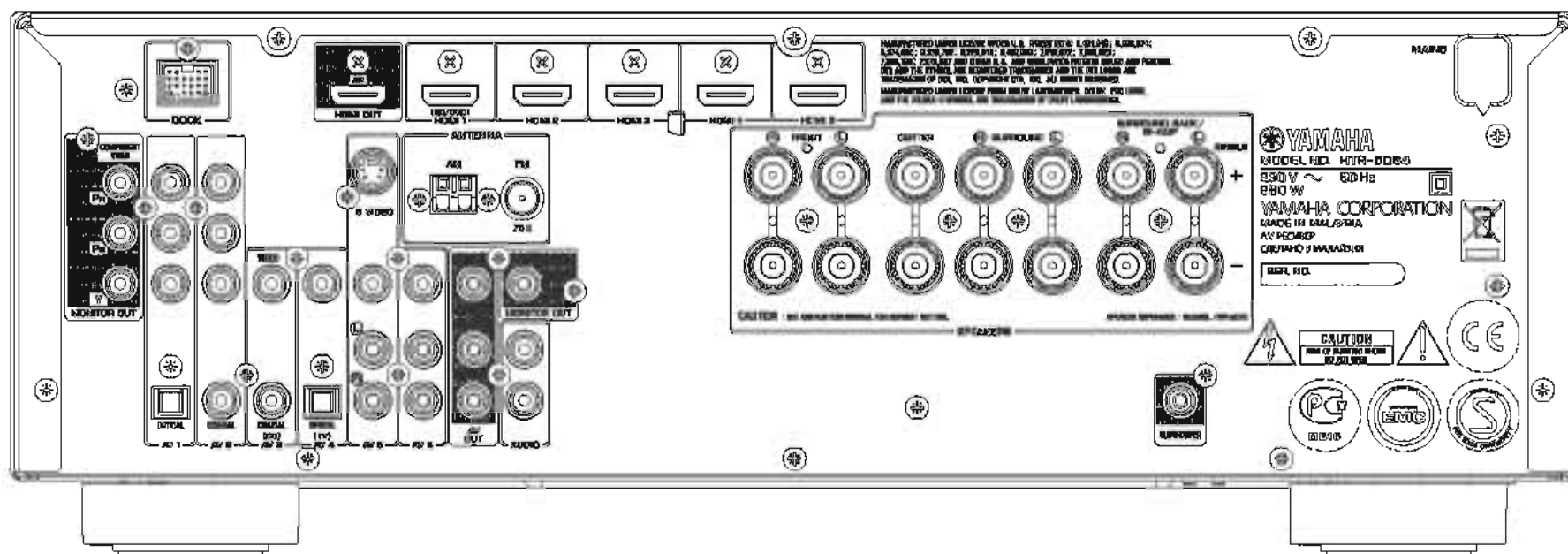
HTR-5064 (U model)



HTR-5064 (K model)

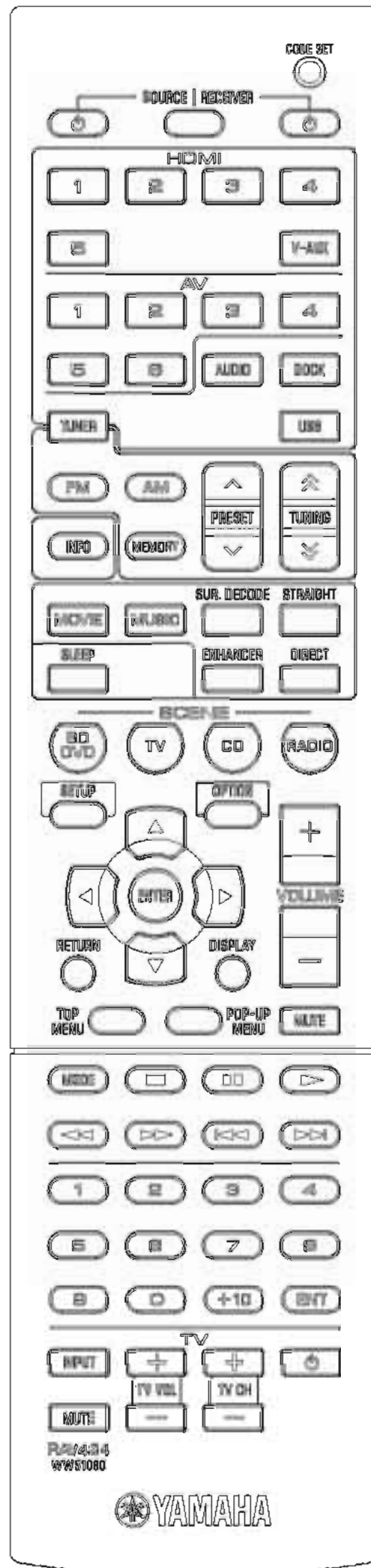


HTR-5064 (G, F models)



■ REMOTE CONTROL PANEL

RAV434



■ SPECIFICATIONS / 参考仕様

■ Audio Section / オーディオ部

Rated Output Power (Power Amp. Section) /

定格出力 (パワーアンプ部)

(1 kHz, 0.9 % THD)

- 1 channel driven -

U, C models (8 ohms)	
FRONT L/R	105 W/ch
CENTER	105 W
SURROUND L/R	105 W/ch
SURROUND BACK L/R	105 W/ch

R, T, K, A, B, G, F, L, J models (6 ohms)

FRONT L/R	105 W/ch
CENTER	105 W
SURROUND L/R	105 W/ch
SURROUND BACK L/R	105 W/ch

- 2 channel driven simultaneously -

U, C models (8 ohms)	
FRONT L/R	85 W + 85 W
CENTER	85 W
SURROUND L/R	85 W + 85 W
SURROUND BACK L/R	85 W + 85 W

R, T, K, A, B, G, F, L, J models (6 ohms)

FRONT L/R	85 W + 85 W
CENTER	85 W
SURROUND L/R	85 W + 85 W
SURROUND BACK L/R	85 W + 85 W

(20 Hz to 20 kHz, 0.08 % THD)

- 2 channel driven simultaneously -

U, C models (8 ohms)	
FRONT L/R	70 W + 70 W
R, T, K, A, B, G, F, L, J models (6 ohms)	
FRONT L/R	65 W + 65 W

Maximum Effective Output Power / 実用最大出力 (JEITA)

(1 kHz, 10 % THD, 6 ohms) [R, T, K, L, J models]

FRONT L/R	135 W/ch
CENTER	135 W
SURROUND L/R	135 W/ch
SURROUND BACK L/R	135 W/ch

Dynamic Power Per Channel / ダイナミックパワー (IHF)

FRONT L/R drive

U, C models	
(8 / 6 / 4 / 2 ohms)	110 / 130 / 160 / 180 W
R, T, K, A, B, G, F, L, J models	
(6 / 4 / 2 ohms)	110 / 130 / 150 W

Dynamic Headroom [U, C models]

8 ohms 0.23 dB

Damping Factor / ダンピングファクタ (20 Hz to 20 kHz, 8 ohms)

FRONT L/R to SPEAKER-A 120 or more

Input Sensitivity/Input Impedance / 入力感度/入力インピーダンス

(1 kHz, 100 W/6 ohms)

AV5 etc. 200 mV / 47 k-ohms

Maximum Input Signal / 最大許容入力 (1 kHz, 0.5 % THD)

AV5 etc. (EFFECT ON) 2.0 V or more

Output Level/Output Impedance / 出力電圧/出力インピーダンス

REC OUT	200 mV / 1.2 k-ohms
SUBWOOFER (2 ch stereo and FRONT SP: small)	
	1 V / 1.2 k-ohms

Headphone Jack Rated Output/Output Impedance /

ヘッドホン出力/出力インピーダンス

AV5 etc. Input (1 kHz, 50 mV, 8 ohms) 100 mV / 470 ohms

Frequency Response / 再生周波数帯域

AV5 etc., FRONT (10 Hz to 100 kHz) 0 / -3 dB

Signal to Noise Ratio / 信号対雑音比 (IHF-A network)

AV5, etc. (DIRECT) to SP OUT (Input shorted 250 mV)

..... 100 dB or more

Residual Noise / 残留ノイズ (IHF-A Network)

FRONT L/R to SP OUT 150 μ V or less

Channel Separation / チャンネルセパレーション

AV5, etc. (Input 5.1 k-ohms shorted)

1 kHz / 10 kHz 60 dB or more / 45 dB or more

Volume Control / 可変範囲/ステップ

..... MUTE / -80 dB to +16.5 dB / 0.5 dB step

Tone Control Characteristics / トーンコントロール特性

FRONT L/R

Bass

Boost/Cut \pm 6 dB / 0.5 dB step, at 50 Hz

Turnover frequency 350 Hz

Treble

Boost/Cut \pm 6 dB / 0.5 dB step, at 20 kHz

Turnover frequency 3.5 kHz

Filter Characteristics / フィルタ特性

FRONT, CENTER, SURROUND, SURROUND BACK small (H.P.F.)

..... fc=40/60/80/90/100/110/120/160/200 Hz, 12 dB/oct

SUBWOOFER small (L.P.F.)

..... fc=40/60/80/90/100/110/120/160/200 Hz, 24 dB/oct.

■ Video Section / ビデオ部

Video Signal Type / ビデオ信号方式

U, C, R, K, J models NTSC

T, A, B, G, F, L models PAL

Video conversion / ビデオコンバージョン

..... NTSC/PAL

Composite Video Signal Level / コンポジットビデオ信号

..... 1 Vp-p / 75 ohms

S-Video Signal Level [B, G, F models]

Y 1 Vp-p / 75 ohms

C 0.286 Vp-p / 75 ohms

Component Video Signal Level / コンポーネントビデオ信号

Y 1 Vp-p / 75 ohms

Cb/Cr 0.7 Vp-p / 75 ohms

D4 Video Signal / D4 ビデオ信号 [J model]

Y 1 Vp-p / 75 ohms

Cb/Cr 0.7 Vp-p / 75 ohms

Video Maximum Input Level / ビデオ最大許容入力

(VIDEO Conversion Off)

..... 1.5 Vp-p or more

Video Signal to Noise Ratio / ビデオ信号対雑音比

..... 50 dB or more

Monitor Out Frequency Response / モニター出力周波数帯域

(VIDEO Conversion Off)

Component video signal level / コンポーネントビデオ信号

..... 5 Hz to 60 MHz, -3 dB

D4 video signal / D4 ビデオ信号 [J model]

..... 5 Hz to 60 MHz, -3 dB

■ FM Section / FM 部

Tuning Range / 受信周波数範囲

U, C models	87.5 to 107.9 MHz
R, L models	87.5 to 108.0 MHz / 87.50 to 108.00 MHz
T, K, A, B, G, F models	87.50 to 108.00 MHz
J model	76.0 to 90.0 MHz

50 dB Quieting Sensitivity / 50 dB SN 感度 (IHF)

(1 kHz, 100 % MOD.)

Mono	3 µV (20.8 dBf)
------	-----------------

Signal to Noise Ratio / 信号対雑音比 (IHF)

Mono	72 dB
Stereo	70 dB

Harmonic Distortion / 歪率 (1 kHz)

Mono	0.3 %
Stereo	0.5 %

Antenna Input / アンテナ入力

	75 ohms unbalanced
--	--------------------

■ AM Section / AM 部

Tuning Range / 受信周波数範囲

U, C models	530 to 1,710 kHz
R, L models	530 to 1,710 kHz / 531 to 1,611 kHz
T, K, A, B, G, F, J models	531 to 1,611 kHz

Antenna / アンテナ

	Loop antenna
--	--------------

■ General / 総合

Power Supply / 電源電圧

U, C models	AC 120 V, 60 Hz
R model	AC 110-120/220-240 V, 50/60 Hz
T model	AC 220 V, 50 Hz
K model	AC 220 V, 60 Hz
A model	AC 240 V, 50 Hz
B, G, F models	AC 230 V, 50 Hz
L model	AC 220-240 V, 50/60 Hz
J model	AC 100 V, 50/60 Hz

Power Consumption / 消費電力

U, C models	270 W / 320 VA
R, T, K, A, B, G, F, L models	280 W
J model	175 W

Standby Power Consumption (reference data) /

待機時消費電力 (参考値)

HDMI control: OFF / Standby through: OFF	0.1 W or less
HDMI control: ON / Standby through: ON	1.2 W or less

Maximum Power Consumption / 最大消費電力

R, L models	490 W
-------------	-------

Dimensions (W x H x D) / 寸法 (幅 x 高さ x 奥行き)

	435 x 151 x 363 mm (17-1/8" x 6" x 14-5/16")
--	--

Weight / 質量

	8.3 kg (18.3 lbs.)
--	--------------------

Finish / 仕上げ

[RX-V571]	
T model	Gold color
U, C, R, T, K, A, B, G, F, L, J models	Black color
R, K, G, F, L models	Titanium color
J model	Silver color
[HTR-5064]	
U, K, G, F models	Black color

Accessories / 付属品

Remote control	x 1
Battery (R03, AAA, UM-4)	x 2
FM antenna (1.4 m)	x 1
AM antenna (1.3 m)	x 1
YPAO microphone (6.0 m)	x 1
VIDEO AUX input cover	x 1


* Specifications are subject to change without notice.

※ 参考仕様および外観は、製品の改良のため予告なく変更することがあります。

U	U.S.A. model	B	British model
C	Canadian model	G	European model
R	General model	F	Russian model
T	Chinese model	L	Singapore model
K	Korean model	J	Japanese model
A	Australian model		



Manufactured under license from Dolby Laboratories. Dolby, Pro Logic and the double-D symbol are trademarks of Dolby Laboratories.

ドルビーラボラトリーズからの実施権に基づき製造されています。「ドルビー」、「PRO LOGIC」、「Surround EX」およびダブル D 記号 、ドルビーラボラトリーズの商標です。



DTS and the Symbol are registered trademarks, & DTS-HD, DTS-HD Master Audio, and the DTS logos are trademarks of DTS, Inc. Product includes software. ©DTS, Inc. All Rights Reserved.

DTS および記号は DTS 社の登録商標です。また、DTS-HD、DTS-HD Master Audio、および DTS ロゴは DTS 社の商標です。製品にはソフトウェアを含みます。著作権 DTS 社。不許複製。

iPod™/iPhone™

iPhone and iPod are trademarks of Apple Inc., registered in the U.S. and other countries.

iPod および iPhone は、米国およびその他の国々で登録されている Apple Inc. の商標です。

Bluetooth™

Bluetooth is a registered trademark of the Bluetooth SIG and is used by Yamaha in accordance with a license agreement.


Bluetooth は、Bluetooth SIG の登録商標でありヤマハはライセンスに基づき使用しています。



“HDMI,” the “HDMI” logo and “High-Definition Multimedia Interface” are trademarks, or registered trademarks of HDMI Licensing LLC.

HDMI、HDMI ロゴ、および High-Definition Multimedia Interface は、HDMI Licensing, LLC の商標または登録商標です。



AAC ロゴマーク  はドルビーラボラトリーズの商標です。

x.v.Color™

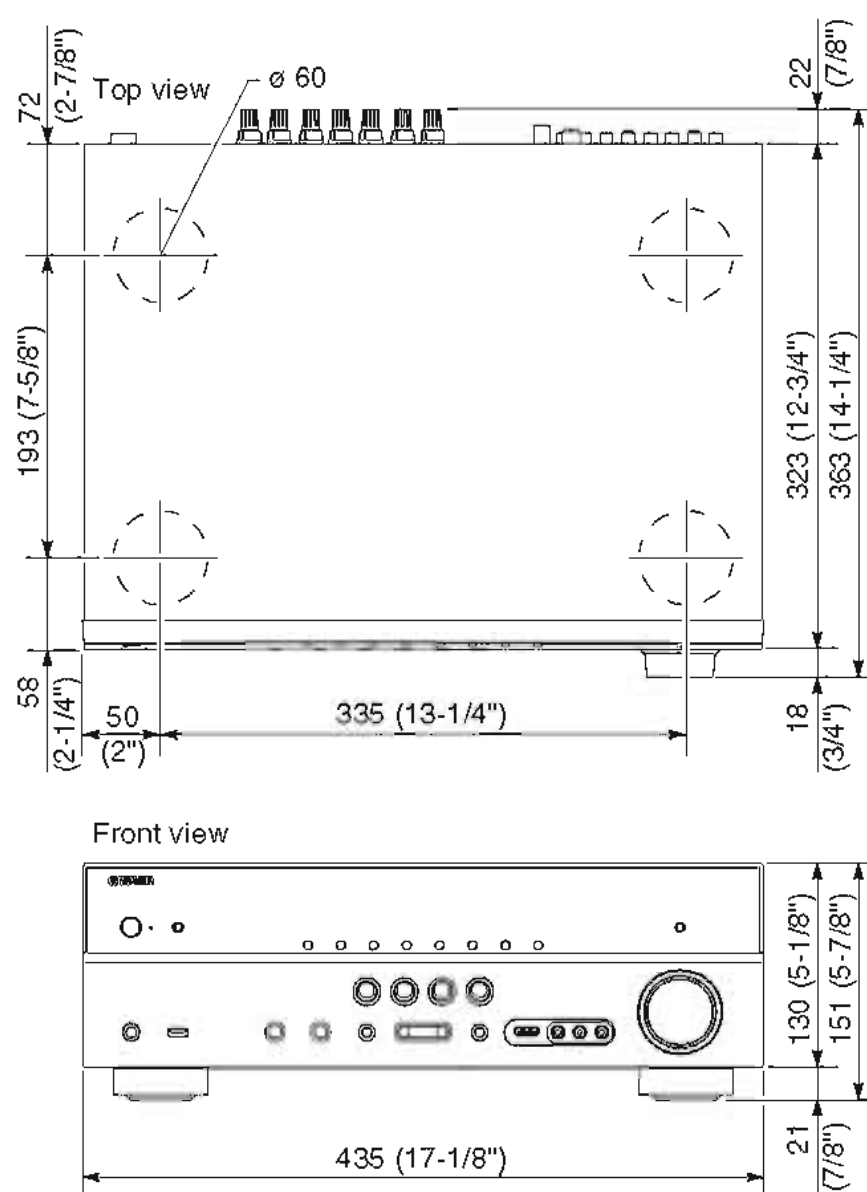
「x.v.Color」は、ソニー株式会社の商標です。

**SILENT™
CINEMA**

“SILENT CINEMA” is a trademark of Yamaha Corporation.

「サイレントシネマ™ SILENT CINEMA™」はヤマハ株式会社の登録商標です。

• DIMENSIONS



Unit: mm (inch)
単位:mm (インチ)

• SELECT MENU

Sound field parameters

Category	Program	Parameter													
		Decode Type	DSP Level: -6dB to +3dB	Center Level: 0 to 100%	Surround L Level: 0 to 100%	Surround R Level: 0 to 100%	Surround Back Level: 0 to 100%	Surround Back L Level: 0 to 100%	Surround Back R Level: 0 to 100%	Direct: Auto/Off	Panorama: On/Off	Center Width: 0 to 7	Dimension: -3 to +3	Center Image: 0.0 to 1.0	Reset: OK/CANCEL
MOVIE	Standard	● *2	●												
	Spectacle	● *2	●												
	Sci-Fi	● *2	●												
	Adventure	● *2	●												
	Drama	● *2	●												
	Mono Movie		●												
ENTERTAINMENT	Sports		●												
	Action Game		●												
	Roleplaying Game		●												
	Music Video		●												
CLASSICAL	Hall in Munich		●												
	Hall in Vienna		●												
	Chamber		●												
LIVE/CLUB	Cellar Club		●												
	The Roxy Theatre		●												
	The Bottom Line		●												
STEREO	2ch Stereo								●						
	7ch Stereo			●	●	●	●	●	●						●
SUR. DECODE		● *1								△	△	△	▲	●	
STRAIGHT															

● : Setting is possible.
設定可

△ : Setting is possible only when Dolby Pro Logic II x Music (Dolby Pro Logic II Music) is selected using decode type.
Decode Type で Dolby Pro Logic II x Music (Dolby Pro Logic II Music) を選択時のみ設定可

▲ : Setting is possible only when Neo:6 Music is selected using decode type.
Decode Type で Neo:6 Music を選択時のみ設定可

*1 Decode Type

Decode Type	Dolby Pro Logic
	Dolby PL II x Movie / Dolby PL II Movie
	Dolby PL II x Music / Dolby PL II Music
	Dolby PL II x Game / Dolby PL II Game
	Neo:6 Cinema
	Neo:6 Music

Dolby PL II when Surround Back is None / Surround Back が None の場合は Dolby PL II
Dolby PL II when Surround Back is None / Surround Back が None の場合は Dolby PL II
Dolby PL II when Surround Back is None / Surround Back が None の場合は Dolby PL II

*2 Decode Type

Decode Type	Dolby PL II x Movie / Dolby PL II Movie
	Neo:6 Cinema

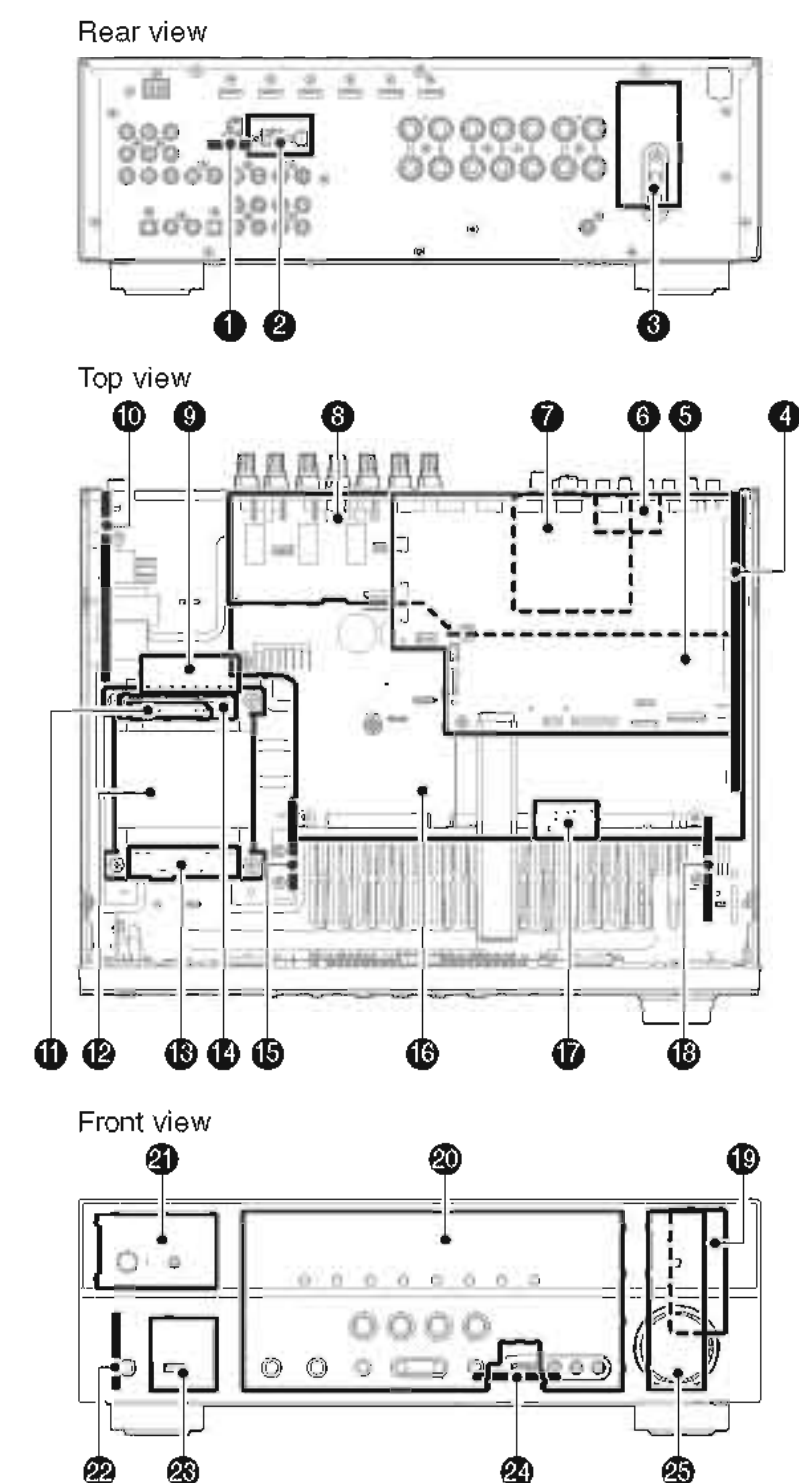
Dolby PL II when Surround Back is None / Surround Back が None の場合は Dolby PL II

• SET MENU TABLE

MAIN MENU	SUB-MENU	PARAMETER	VALUE [INITIAL VALUE]	
Speaker Setup				
	Configuration	Front speaker	Large / [Small]	
		Center speaker	Large / [Small] / None	
		Surround L/R speaker	Large / [Small] / None	
		Surround back L/R speaker	Large x1 / Large x2 / Small x1 / [Small x2] / None	
		Subwoofer	[Use] / None	
		Phase	[Normal] / Reverse	
		Bass Cross Over	40 / 60 / [80] / 90 / 100 / 110 / 120 / 160 / 200 Hz	
	Distance		Extra Bass	[Off] / On
			Meter (m): R, T, K, A, B, G, F, L, J models	
			Feet (ft): U, C models	
			Front L	0.30 to 24.00 m, [3.00 m], 0.05 m step 1.0 to 80.0 ft, [10.0 ft], 0.2 ft step
			Front R	
			Center	
			Surround L	
	Surround R			
Surround Back L				
Surround Back R				
Level		Subwoofer	-10.0 to +10.0 dB, [0.0 dB], 0.5 dB step	
		Front L		
		Front R		
		Center		
		Surround L		
		Surround R		
		Surround Back L		
Equalizer		Surround Back R	[Through] / Graphic EQ / YPAO : Flat / YPAO : Front / YPAO : Natural	
		Subwoofer		
		Graphic EQ		
		Front L		63 Hz 0 dB
		Front R		160 Hz 0 dB
		Center		400 Hz 0 dB
		Sur. L		1.0 kHz 0 dB
		Sur. R		2.5 kHz 0 dB
		SBL		6.3 kHz 0 dB
		SBR		16 kHz 0 dB
EXIT				
Test Tone		[Off] / On		
Sound Setup				
	Lipsync	[Auto] / Manual		
		Auto	0 to 250 ms, [0 ms], 1 ms step	
		Manual	0 to 250 ms, [0 ms], 1 ms step	
	Dynamic Range	[Maximum] / Standard / Minimum/Auto		
	Max. Volume	-30.0 to +15.0 dB / +16.5 dB (Maximum volume), [+16.5 dB], 5.0 dB step		
Initial Volume	[Off] / On			
	On	Mute / -80 dB to +16.5 dB, [-40.0 dB], 0.5 dB step		
DSP Setup				
	CINEMA DSP 3D Program		Off / [On]	
		Hall in Munich	[2]	
		Hall in Vienna	[2]	
		Chamber	[2]	
		Cellar Club	[2]	
		The Roxy Theatre	[2]	
		The Bottom Line	[2]	
		Sports	[2]	
		Action Game	[2]	
		Roleplaying Game	[2]	
		Music Video	[2]	
		Standard	[1], [2]	
		Spectacle	[1], [2]	
		Sci-Fi	[1], [2]	
		Adventure	[1], [2]	
		Drama	[1], [2]	
		Mono Movie	[2]	
SUR. DECODE	[1], [10], [11], [12], [13], [14]			

MAIN MENU	SUB-MENU	PARAMETER	VALUE [INITIAL VALUE]
		STRAIGHT	
		2ch Stereo	[9]
		7ch Stereo	[3], [4], [5], [6], [7], [8], [14]
	[1]	Decode Type	Pro Logic, PL II x Movie / PL II Movie, PL II x Music / PL II Music, PL II x Game / PL II Game, Neo:6 Cinema, Neo:6 Music
	[2]	DSP Level	-6 to +3 dB, [0 dB]
	[3]	Center Level	0 to 100 %, [100 %]
	[4]	Surround L Level	
	[5]	Surround R Level	
	[6]	Surround Back Level	0 to 100 %, [50 %]
	[7]	Surround Back L	0 to 100 %, [30 %]
	[8]	Surround Back R	
	[9]	Direct	[Auto] / Off
	[10]	Panorama	[Off] / On
	[11]	Center Width	0 to 7, [3]
	[12]	Dimension	-3 to +3, [0]
	[13]	Center Image	0.0 to 1.0, [0.3]
	[14]	Reset	OK / CANCEL
Function Setup			
	Input Rename	All inputs except for TUNER. / TUNER 以外の入力 Input is possible to 9 characters Input possible Character type Capital : A to Z Small : a to z Figure : 0 to 9 Symbols : # * + , - etc. Space	
	Auto Power Down	Off / 4 Hours / 8 Hours / 12 Hours [Off]: U, C, R, T, K, A, L, J models [8 Hours]: B, G, F models	
	Dimmer	-4 to 0, [0]	
	Short Message	Off / [On]	
	Memory Guard	[Off] / On	
HDMI Setup			
	HDMI Control	Off / On [Off]: U, C, R, T, K, A, B, G, F, L models [On]: J model	
	TV Audio Input	AV1 / AV2 / AV3 / [AV4] / AV5 / AV6 / AUDIO	
	ARC	Off / [On]	
	Standby Sync	Off / On / [Auto]	
	SCENE	BD/DVD	Off / [On]
		TV	
		CD	[Off] / On
		RADIO	
	Audio Output	Amp	Off / [On]
		HDMI OUT (TV)	[Off] / On
	Standby Through	[Off] / On * "Standby Through" is available only when "HDMI Control" is set to "Off". "HDMI Control" にて "Off" 選択時のみ設定可能	
	Processing	[Off] / On	
		Resolution	Through / [Auto] / 480p/576p / 720p / 1080i / 1080p
		Aspect	[Through] / 16:9 Normal
Language Setup	English (English), 日本語 (Japanese), Français (French), Deutsch (German), Español (Spanish), Русский (Russian)		

INTERNAL VIEW



- ① OPERATION (9) P.C.B. (B, G, F models)
- ② AM/FM TUNER (U, C, R, T, K, A, B, G, F, L models)
- ③ OPERATION (10) P.C.B. (R model)
- ④ VIDEO (2) P.C.B.
- ⑤ DIGITAL (1) P.C.B.
- ⑥ AM/FM TUNER (J model)
- ⑦ OPERATION (8) P.C.B. (J model)
- ⑧ VIDEO (1) P.C.B.
- ⑨ MAIN (2) P.C.B.
- ⑩ VIDEO (3) P.C.B.
- ⑪ VIDEO (4) P.C.B. (U, C, T, K, A, B, G, F, L, J models)
- ⑫ POWER TRANSFORMER
- ⑬ VIDEO (5) P.C.B.
- ⑭ OPERATION (11) P.C.B. (R model)
- ⑮ MAIN (3) P.C.B.
- ⑯ MAIN (1) P.C.B.
- ⑰ MAIN (4) P.C.B.
- ⑱ OPERATION (6) P.C.B.
- ⑲ OPERATION (7) P.C.B.
- ⑳ OPERATION (1) P.C.B.
- ㉑ OPERATION (2) P.C.B.
- ㉒ OPERATION (4) P.C.B.
- ㉓ OPERATION (5) P.C.B.
- ㉔ DIGITAL (2) P.C.B.
- ㉕ OPERATION (3) P.C.B.

SERVICE PRECAUTIONS / サービス時の注意事項

Safety measures

- Some internal parts in this product contain high voltages and are dangerous.
Be sure to take safety measures during servicing, such as wearing insulating gloves
- Note that the capacitors indicated below are dangerous even after the power is turned off because an electric charge remains and a high voltage continues to exist there.
Before starting any repair work, connect a discharging resistor (5 k-ohms/10 W) to the terminals of each capacitor indicated below to discharge electricity
The time required for discharging is about 30 seconds per each.
C1055, C1056, C1062, C1065, C1066, C1609 on MAIN (1) P.C.B.
C3706 on VIDEO (3) P.C.B.

For details, refer to "PRINTED CIRCUIT BOARDS".

安全対策

- この製品の内部には高電圧部分があり危険です。修理の際は、絶縁性の手袋を使用するなどの安全対策を行ってください。
- 下記のコンデンサには電源を OFF にした後も電荷が残り、高電圧が維持されており危険です。
修理作業前に放電用抵抗 (5 kΩ / 10 W) を下記の各コンデンサの端子間に接続して放電してください。
放電所用時間は各々約 30 秒間です。
MAIN (1) P.C.B. の C1055、C1056、C1062、C1065、C1066、C1609
VIDEO (3) P.C.B. の C3706
詳細は "PRINTED CIRCUIT BOARDS" を参照してください。

DISASSEMBLY PROCEDURES / 分解手順

(Remove parts in the order as numbered.)

Disconnect the power cable from the AC outlet.

(番号順に部品を外してください。)

AC電源コンセントから、電源コードを抜いてください。

1. Removal of Top Cover

- a. Remove 4 screws (①) and 5 screws (②). (Fig. 1)
- b. Lift the rear of the top cover to remove it. (Fig. 1)

1. トップカバーの外し方

- a. ①のネジ4本、②のネジ5本を外します。(Fig. 1)
- b. トップカバーの後部を持ち上げ、外します。(Fig. 1)

2. Removal of Front Panel Unit

- a. Remove 7 screws (③), and remove W4251. (Fig. 1)
- b. Remove CB2, CB44, CB45, CB64, CB442 and CB461. (Fig. 1)
- c. Unlock and remove CB348. (Fig. 1)
- d. Release 2 hooks on both ends and remove the front panel unit. (Fig. 1)

2. フロントパネルユニットの外し方

- a. ③のネジ7本を外し、W4251を外します。(Fig. 1)
- b. CB2、CB44、CB45、CB64、CB442、CB461を外します。(Fig. 1)
- c. ロックを外し、CB348を外します。(Fig. 1)
- d. フック2箇所を外し、フロントパネルユニットを外します。(Fig. 1)

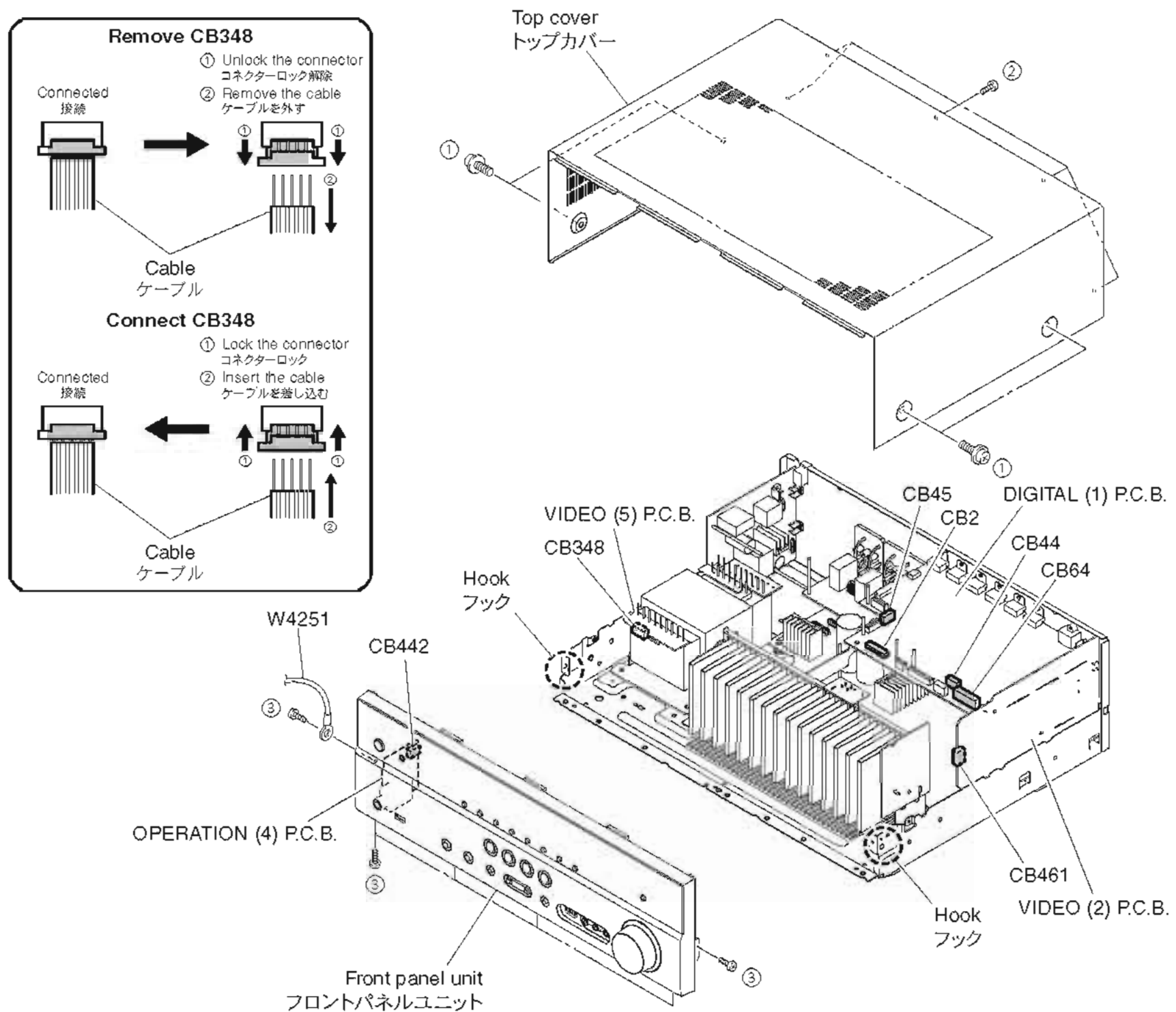


Fig. 1

3. Removal of DIGITAL P.C.B.

- Remove 2 screws (④) and 6 screws (⑤). (Fig. 3)
- Remove 2 screws (⑥). (Fig. 2)
- Remove CB25 (B, G, F models), CB43, CB53 and CB63. (Fig. 2)
- Unlock and remove CB55-57. (Fig. 2)
- Remove the DIGITAL (1) P.C.B. which is connected directly to the VIDEO (2) P.C.B. with board-to-board connectors. (Fig. 2)

3. DIGITAL P.C.B. の外し方

- ④のネジ2本、⑤のネジ6本を外します。(Fig. 3)
- ⑥のネジ2本を外します。(Fig. 2)
- CB43、CB53、CB63を外します。(Fig. 2)
- ロックを外し、CB55～57を外します。(Fig. 2)
- DIGITAL P.C.B.を外します。ただし、DIGITAL (1) P.C.B.はVIDEO (2) P.C.B.に基板対基板コネクタで直接接続されています。(Fig. 2)

4. Removal of AMP Unit

- Remove 2 screws (⑦) and 4 screws (⑧). (Fig. 2)
- Remove 3 screws (⑨). (Fig. 3)
- Remove the amp unit. (Fig. 2)

4. アンプユニットの外し方

- ⑦のネジ2本、⑧のネジ4本を外します。(Fig. 2)
- ⑨のネジ3本を外します。(Fig. 3)
- アンプユニットを外します。(Fig. 2)

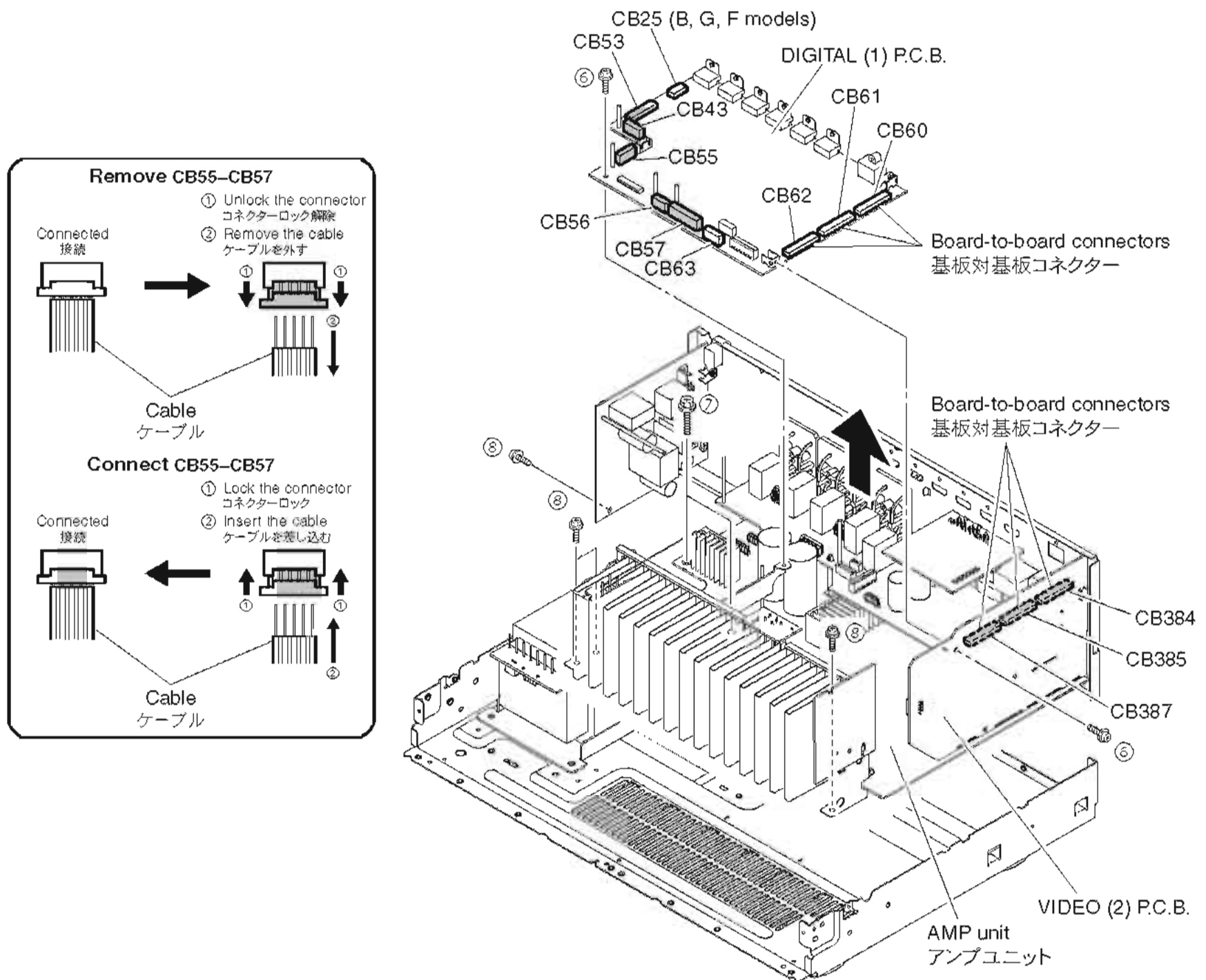


Fig. 2

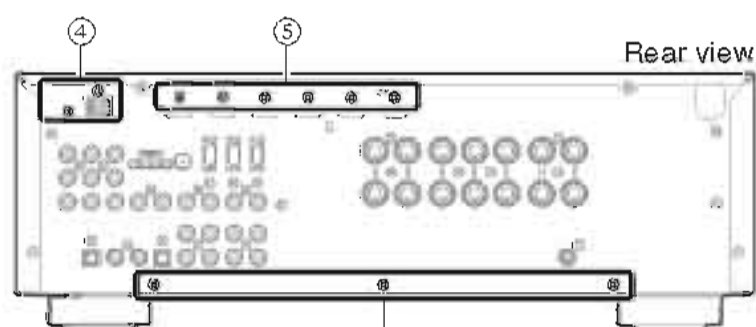


Fig. 3

When checking the P.C.B.s:

- Place the P.C.B.s (with rear panel) upright. (Fig. 4)
- Connect the heatsink, rear panel and G1000 on MAIN (1) P.C.B. to the chassis with a ground lead or the like. (Fig. 4)
- Reconnect all cables (connectors) that have been disconnected.
- When connecting the flexible flat cable, be careful with polarity.

P.C.B. をチェックする場合には：

- リアパネルと一緒に P.C.B. を立ち上げて置きます。(Fig. 4)
- ヒートシンク、リアパネル、MAIN (1) P.C.B. の G1000 のアースをリード線等でシャーシに接続してください。(Fig. 4)
- 外したケーブル (コネクタ) をすべて接続します。
- フラットケーブルを接続する際、極性に注意してください。

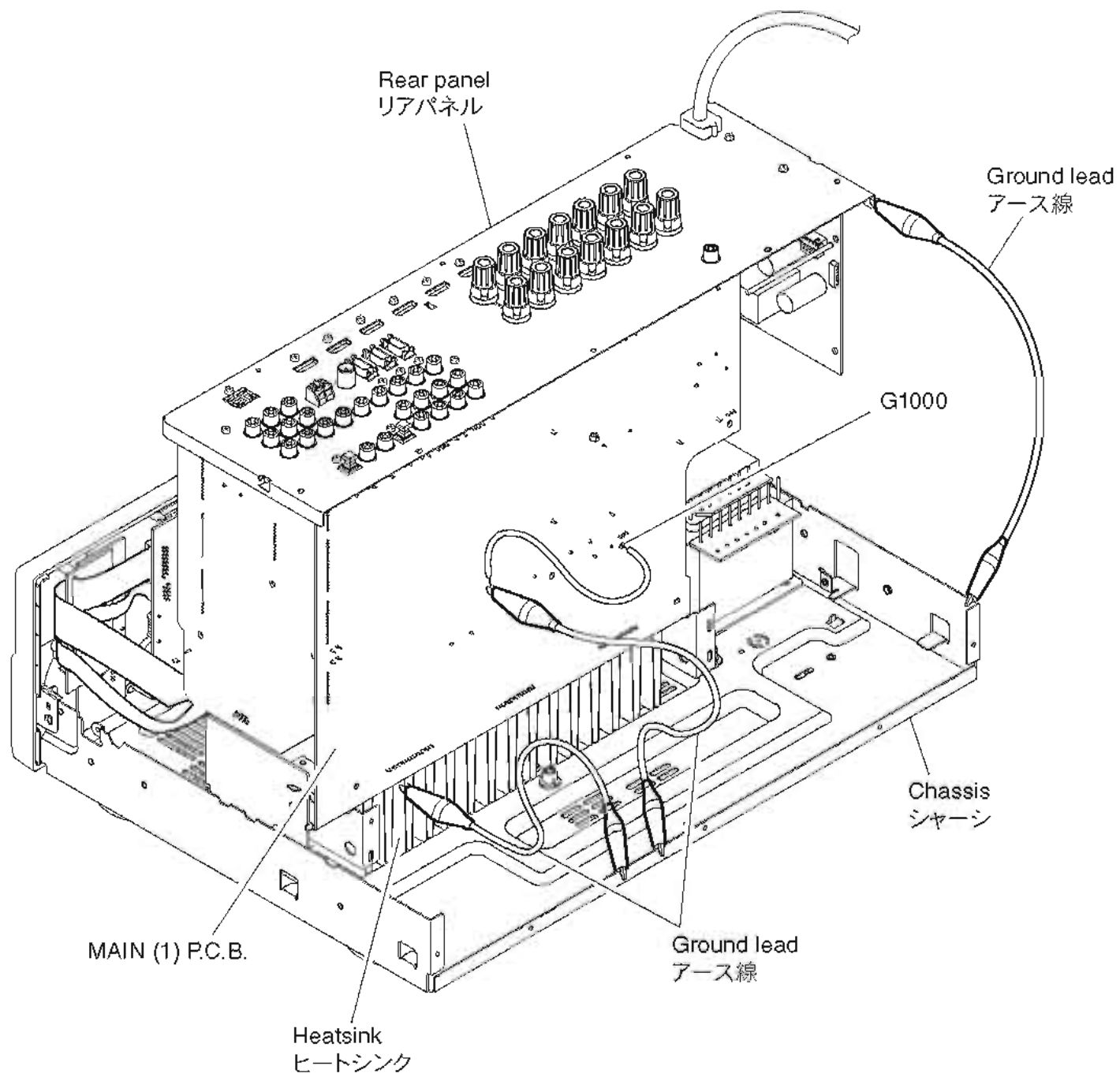


Fig. 4

■ UPDATING FIRMWARE / ファームウェアのアップデート

When the following parts are replaced, the firmware must be updated to the latest version.

DIGITAL P.C.B.

FPGA Flash ROM: IC58 on DIGITAL (1) P.C.B.

DSP (TI) Flash ROM: IC80 on DIGITAL (1) P.C.B

下記の部品を交換した場合、ファームウェアを最新バージョンにアップデートする必要があります。

DIGITAL P.C.B.

FPGA フラッシュ ROM : DIGITAL (1) P.C.B. の IC58

DSP (TI) フラッシュ ROM : DIGITAL (1) P.C.B. の IC80

● Confirmation of firmware version and checksum

Before and after updating the firmware, check the firmware version and checksum by using the self-diagnostic function menu.

Start up the self-diagnostic function and select "S4. ROM VER/SUM" menu.

Using the sub-menu, have the firmware version and checksum displayed, and note them down.

(See "SELF-DIAGNOSTIC FUNCTION")

* When the firmware version is different from written one after updating, perform the updating procedure again from the beginning.

● Initializing the back-up IC (EEPROM: IC55 on DIGITAL (1) P.C.B.)

After updating the firmware, the back-up IC MUST be initialized by the following procedure to have proper memorization of the set up information (soundfield parameters, system memory and tuner presetting, etc.).

Start up the self-diagnostic function and select "S3. FACTORY PRESET" menu. (See "SELF-DIAGNOSTIC FUNCTION")

Select "PRESET RSRV", press the "⏻" (Power) key to turn off the power once and turn on the power again. Then the back-up IC is initialized

● Required Tools

- USB storage device
- Firmware
RX-V571: RXV571-xxxx.bin
HTR-5064: HTR5064-xxxx.bin

● Preparation

1. Download the latest firmware from the specified download source to the folder of the PC.
2. Copy the latest firmware from the PC to the root folder of the USB storage device.

Note) When the latest firmware is copied to a sub-folder of the USB storage device, the update will not proceed.

● ファームウェアのバージョンとチェックサムの確認

ファームウェアのアップデートの前後に、ファームウェアのバージョンとチェックサムをダイアグで確認します。

ダイアグを起動し、“S4. ROM VER/SUM” メニューを選択します。

サブメニューでファームウェアのバージョンとチェックサムを表示し、それらを書きとめます。
(「ダイアグ」参照)

※ アップデート後、ファームウェアのバージョンが書き込まれたものと異なる場合、アップデートの操作を最初からやり直してください。

● バックアップ IC の初期化 (EEPROM : DIGITAL (1) P.C.B. の IC55)

ファームウェアのアップデート後、設定情報（音場プログラムのパラメーターやシステムメモリー、チューナープリセット等）を正常に記憶するために、下記の方法でバックアップ IC を初期化する必要があります。

本機のダイアグを起動し、“S3. FACTORY PRESET” メニューを選択します。
(「ダイアグ」参照)

“PRESET RSRV” を選択し、“⏻”（電源）キーを押して電源を一度きってから、もう一度電源を入れるとバックアップ IC が初期化されます。

● 必要なツール

- USB フラッシュメモリー
- ファームウェア
RX-V571 : RXV571-xxxx.bin

● 準備

1. 指定のダウンロード先から、最新のファームウェアを PC のフォルダへダウンロードしてください。
2. PC から USB フラッシュメモリーのルートフォルダへ最新のファームウェアをコピーします。

注意) 最新のファームウェアをサブフォルダにコピーした場合、書き込みはできません。

● Operation Procedures

1. Insert the USB storage device to the USB port. (Fig. 1)
2. While pressing the "DIRECT" key, connect the power cable to the AC outlet. (Fig. 1)

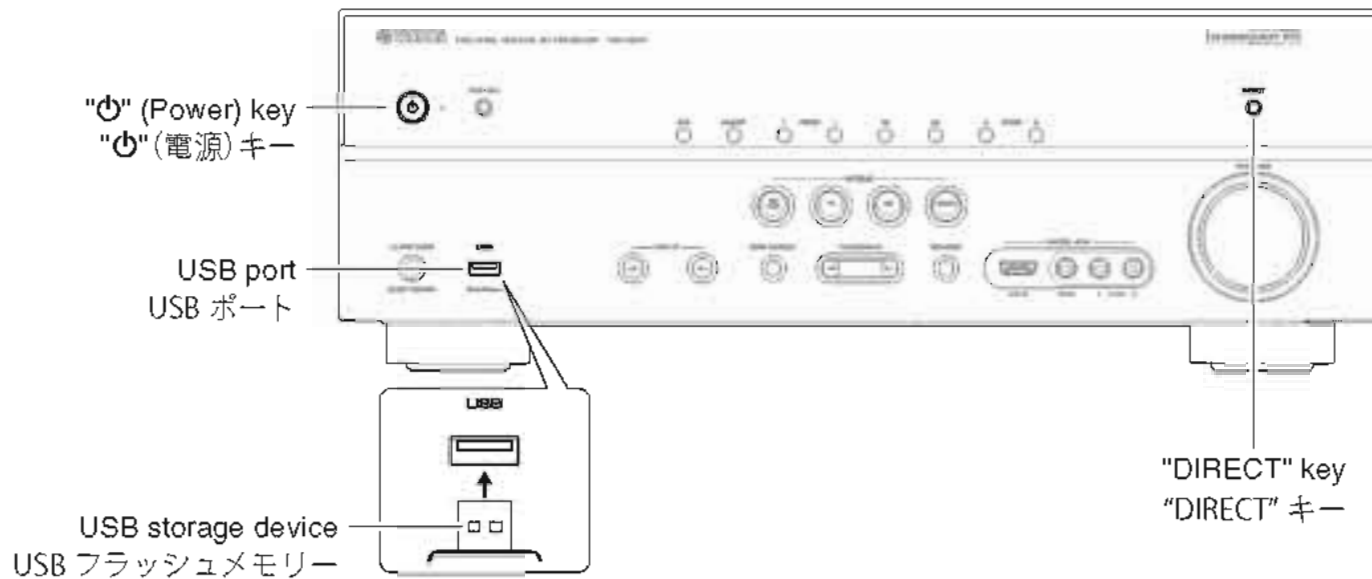


Fig. 1

● 操作手順

1. USB ポートに USB フラッシュメモリーを差し込みます。(Fig.1)
2. "DIRECT" キーを押しながら、電源コードを AC コンセントに接続します。(Fig.1)

3. The USB UPDATE mode is activated and "USB UPDATE" is displayed. Writing of the firmware starts automatically. (Fig. 2)

3. USB UPDATE モードが起動し、"USB UPDATE" が表示されて、ファームウェアの書き込みが自動的に開始されます。(Fig.2)

Writing is started. / 書き込み開始

USB UPDATE

Writing being executed. / 書き込み中

VERIFYING...

5x-x!xx%

Fig. 2

4. When writing of the firmware is completed, "Update Success", "Please..." and "Power Off!" are displayed repeatedly. (Fig. 3)

4. ファームウェアの書き込み完了後、"Update Success"、"Please..."、"Power Off!" が繰り返し表示されます。(Fig.3)

Writing is completed. / 書き込み完了

Update Success

Please...

Power Off!

Fig. 2

5. Press the "⏻" (Power) key to turn off the power.
6. Remove the USB storage device from the USB port. (Fig. 1)
7. Start up the self-diagnostic function and check that the firmware version and checksum are the same as written ones. (See "Confirmation of firmware version and checksum")

5. "⏻" (電源) キーを押して電源を切ります。
6. USB ポートから USB フラッシュメモリーを抜きます。(Fig.1)
7. ダイアグを起動し、ファームウェアのバージョンとチェックサムが、書き込まれたものと同じであることを確認します。("ファームウェアのバージョンとチェックサムの確認" 参照)

■ SELF-DIAGNOSTIC FUNCTION / ダイアグ (自己診断機能)

This unit has self-diagnostic functions that are intended for inspection, measurement and location of faulty point.

There are 24 main menu items, each of which has sub-menu items.

Listed in the table below are main menu items and sub-menu items.

Note that not all menu items listed will apply to the models covered in this service manual.

本機には、検査、測定、不良個所の発見を目的にしたダイアグ (自己診断機能) があります。

ダイアグには 24 個のメインメニューがあり、そのそれぞれにサブメニューがあります。

下表はダイアグメニュー一覧です。

下表の全ダイアグメニュー項目が、このサービスマニュアル記載のモデルに適用されるとは限りません。

No.	Main menu	No.	Sub-menu
A: Audio system / オーディオ系			
A1	DSP AUDIO	1	DSP MARGIN
		2	DSP NON MARGIN
		3	DSP FULL CENTER
		4	DSP FULL SURROUND
		5	DSP FULL SURROUND BACK
A2	DIRECT AUDIO	1	ANALOG DIRECT
A3	HDMI AUDIO	1	HDMI AUTO
		2	INVALID ITEM (Not for service / サービスでは使用しません)
		3	ARC1
		4	INVALID ITEM (Not for service / サービスでは使用しません)
A4	SPEAKERS SET	1	BI-AMP
		2	INVALID ITEM (Not for service / サービスでは使用しません)
		3	INVALID ITEM (Not for service / サービスでは使用しません)
		4	INVALID ITEM (Not for service / サービスでは使用しません)
		5	INVALID ITEM (Not for service / サービスでは使用しません)
		6	INVALID ITEM (Not for service / サービスでは使用しません)
		7	FULL MUTE
		8	INVALID ITEM (Not for service / サービスでは使用しません)
		9	INVALID ITEM (Not for service / サービスでは使用しません)
A5	MULTI CHANNEL INPUT (Not for service / サービスでは使用しません)	1	8 CHANNEL INPUT 8 ohms
		2	8 CHANNEL INPUT 6 ohms
A6	MIC CHECK	1	MIC ROUTE CHECK
A7	MANUAL TEST	1	TEST ALL
		2	TEST FRONT L
		3	TEST CENTER
		4	TEST FRONT R
		5	TEST SURROUND R
		6	TEST SURROUND BACK R
		7	TEST SURROUND BACK L
		8	TEST SURROUND L
		9	INVALID ITEM (Not for service / サービスでは使用しません)
		10	INVALID ITEM (Not for service / サービスでは使用しません)
		11	INVALID ITEM (Not for service / サービスでは使用しません)
		12	INVALID ITEM (Not for service / サービスでは使用しません)
		13	TEST LFE 1
		14	INVALID ITEM (Not for service / サービスでは使用しません)
D: Display system / 表示系			
D1	FL CHECK	1	FL CHECK
		2	ALL SEGMENT OFF
		3	ALL SEGMENT ON
		4	CHECK PATTERN 1
		5	CHECK PATTERN 2

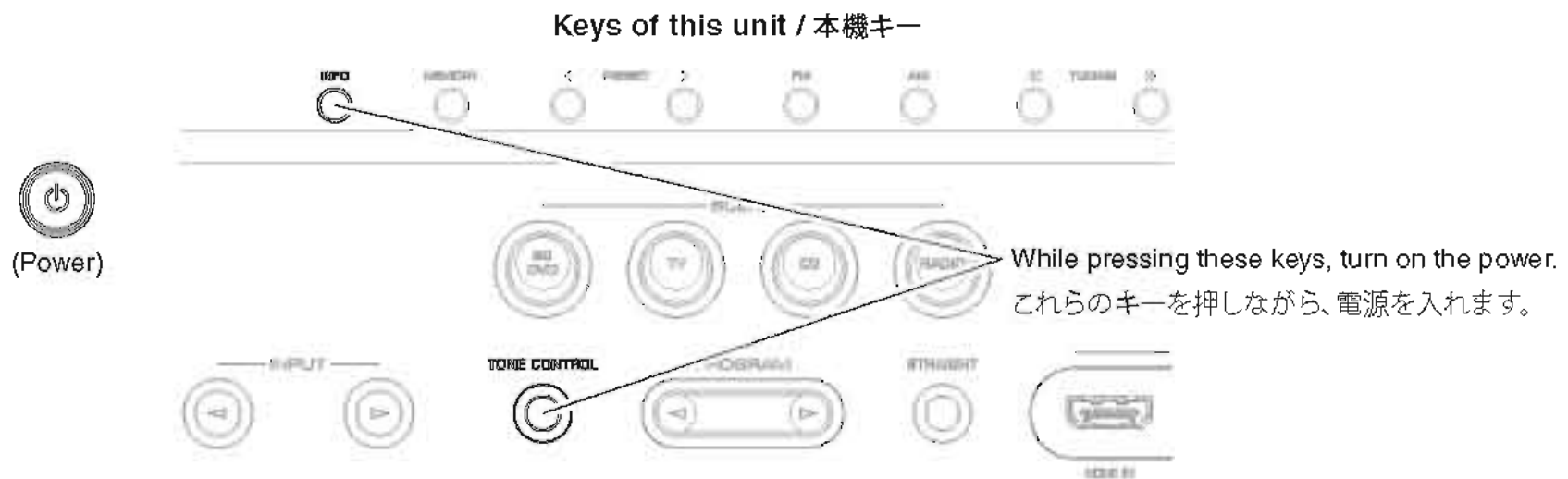
No.	Main menu	No.	Sub-menu
Z: Zone system /ZONE 系			
Z1	INVALID ITEM (Not for service / サービスでは使用しません)		
R: Radio and satellite broadcasting system / チューナー・衛星放送系			
R1	INVALID ITEM (Not for service / サービスでは使用しません)		
U: Universal system / 特殊端子系			
U1	iPod	1	DOCK CHECK
		2	iPod AUTHENTICATION IC CHECK
U2	USB	1	INVALID ITEM (Not for service / サービスでは使用しません)
		2	INVALID ITEM (Not for service / サービスでは使用しません)
		3	INVALID ITEM (Not for service / サービスでは使用しません)
		4	USB FRONT 1 TRACK
		5	USB FRONT 2 TRACK
		6	USB INITIAL PROGRAM LOAD
		7	USB iPod CHECK
U3	INVALID ITEM (Not for service / サービスでは使用しません)		
N: Network system / ネットワーク系			
N1	INVALID ITEM (Not for service / サービスでは使用しません)		
C: Communication system / 通信・バスライン系			
C1	DIGITAL PCB CHECK	1	ALL
		2	BUS FLASH ROM
		3	BUS FPGA
		4	I2C
		5	FPGA RAM
		6	BUS DIR
		7	BUS DSP1
		8	EEPROM
		9	INVALID ITEM (Not for service / サービスでは使用しません)
		10	INVALID ITEM (Not for service / サービスでは使用しません)
C2	HDMI INFO	1	HDMI MODEL NAME
		2	HDMI PRODUCT ID
V: Video system / ビデオ系			
V1	ANALOG VIDEO CHECK	1	ANALOG BYPASS
		2	INVALID ITEM (Not for service / サービスでは使用しません)
		3	INVALID ITEM (Not for service / サービスでは使用しません)
		4	MUTE CHECK
		5	INVALID ITEM (Not for service / サービスでは使用しません)
		6	VIDEO IN
V2	DIGITAL VIDEO CHECK	1	LOOPBACK TEST 1
		2	LOOPBACK TEST 2
		3	INVALID ITEM (Not for service / サービスでは使用しません)
		4	HDMI REPEAT
		5	DIGITAL CVBS
		6	DIGITAL Y/C (B, G, F models)
		7	DIGITAL COMPONENT
		8	DIGITAL COMPONENT SC
		9	GUI-VIDEO OUT

No.	Main menu	No.	Sub-menu
P: Power and protection system / 電源・プロテクション系			
P1	SYSTEM MONITOR	1	DC
		2	PS1/PS2
		3	TM
		4	OUTPUT LEVEL
		5	LIMITER CONTROL
		6	L3 (J model)
		7	KEY1/KEY2
P2	PROTECTION HISTORY	1	HISTORY 1
		2	HISTORY 2
		3	HISTORY 3
		4	HISTORY 4
S: System and version system / システム・バージョン系			
S1	FIRMWARE UPDATE	1	F/W UPDATE (Not for service / サービスでは使用しません)
S2	SET INFORMATION	1	MODEL
		2	DESTINATION
		3	DEBUG (Not for service / サービスでは使用しません)
S3	FACTORY PRESET	1	PRESET INH/RSRV
S4	ROM VERSION/CHECKSUM	1	SYSTEM VERSION
		2	MICROPROCESSOR VERSION
		3	MICROPROCESSOR CHECKSUM
		4	FLASH ROM VERSION
		5	FLASH ROM CHECKSUM
		6	INVALID ITEM (Not for service / サービスでは使用しません)
		7	INVALID ITEM (Not for service / サービスでは使用しません)
		8	DSP1 VERSION
		9	DSP1 CHECKSUM
		10	INVALID ITEM (Not for service / サービスでは使用しません)
		11	INVALID ITEM (Not for service / サービスでは使用しません)
		12	GUI VERSION
		13	FPGA GUI VERSION
		14	FPGA IP VERSION
		15	INVALID ITEM (Not for service / サービスでは使用しません)
		16	INVALID ITEM (Not for service / サービスでは使用しません)
		17	INVALID ITEM (Not for service / サービスでは使用しません)
		18	USB IPL VERSION

● Starting Self-Diagnostic Function

While pressing the "TONE CONTROL" and "INFO" keys, press the "⏻" (Power) key to turn on the power.

The self-diagnostic function mode is activated.



● Starting Self-Diagnostic Function in the protection cancel mode

If the protection function works and causes hindrance to trouble shoot, cancel the protection function as described below, and it will be possible to enter the self-diagnostic function mode. (The protection functions other than the excess current detect function will be disabled.)

While pressing the "TONE CONTROL" and "INFO" keys, press the "⏻" (Power) key to turn on the power and keep pressing those 2 keys for 3 seconds or longer.

The self-diagnostic function mode is activated with the protection functions disabled.

In this mode, the "SLEEP" segment of the FL display flashes to indicate that the mode is self-diagnostic function mode with the protection functions disabled.

CAUTION!

Using this product with the protection function disabled may cause further damage to this unit. Use special care for this point when using this mode.

● ダイアグの起動

"TONE CONTROL" と "INFO" キーを押しながら "⏻" (電源) キーを押して電源を入れます。

ダイアグが起動します。

● プロテクション解除モードでの起動

プロテクションが動作することにより、故障箇所の診断に支障をきたすような場合は、次の方法によりプロテクションを解除した状態でダイアグモードに入ることができます。(過電流検出以外のプロテクション動作を解除する)

"TONE CONTROL" と "INFO" キーを押しながら "⏻" (電源) キーを押して電源を入れ、2つのキーを3秒以上押し続けます。

プロテクション解除モードでダイアグが起動します。

このモードではFLの "SLEEP" セグメントが点滅し、プロテクションを解除した状態でのダイアグモードであることを知らせます。

注意!

プロテクションを解除した状態でのダイアグモードは、危険な状態でもプロテクションが作動しないため、動作させると、本機を破壊することがあります。このモードを使用する場合は十分注意してください。

● Canceling Self-Diagnostic Function

1. Before canceling self-diagnostic function, execute setting for "S3 FACTORY PRESET" menu. (Memory initialization inhibited or Memory initialized).
 - * In order to keep the user memory preserved, be sure to select PRESET INHIBIT (Memory initialization inhibited).
2. Press the "⏻" (Power) key to turn off the power.

● Display provided when Self-Diagnostic Function started

The display is as described below depending on the situation the last time the power to this unit is turned off

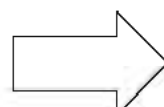
1. When the power is turned off by usual operation:

"NO PROTECT" is displayed. "A1-1. DSP MARGIN" menu is displayed in a few seconds.

Opening message / オープニング表示

NO PROTECT

After a few seconds / 数秒後



A1-1
DSP MARGIN

Main menu display / メインメニュー表示

● ダイアグの解除

1. ダイアグを解除する前に、"S3. FACTORY PRESET" メニュー（メモリーの初期化禁止／またはメモリーの初期化）の設定をします。
 - ※ ユーザーメモリーを保持したい場合は、必ず PRESET INHIBIT（メモリー初期化禁止）を選択してください。
2. "⏻"（電源）キーを押して電源を切ります。

● ダイアグ起動時の表示

最後に本機の電源が切れたときの状況により、下記のように表示されます。

1. 通常の操作で電源を切った場合：

"NO PROTECT" が表示されます。数秒後、"A1-1 DSP MARGIN" メニューが表示されます。

2. When the protection function worked to turn off the power:

The data of protection function which worked at the moment is displayed. Then "A1-1. DSP MARGIN" menu is displayed in a few seconds.

Note. At that time if you reactivate the self-diagnostic function after turning off the power once by pressing the "⏻" (Power) key, "NO PROTECT" will be displayed because that situation is equal to "1. When the power is turned off by usual operation." described above.

However the protection function history is stored in a back-up IC with a backup. For details, refer to "P2 PROTECTION HISTORY" menu.

2-1. When there is a history of protection function due to excess current.

I PROTECT

Cause: An excessive current flowed through the power amplifier.

Supplementary information: As current of the power amplifier is detected, the abnormal channel can be identified by checking the current detect transistor.

Turning on the power without correcting the abnormality will cause the protection function to work immediately and the power supply will instantly be shut off.

Notes)

- Applying the power to this unit without correcting the abnormality can be dangerous and cause additional circuit damage. To avoid this, if "I PROTECT" protection function works 1 time, the power will not turn on even when the "⏻" (Power) key is pressed. In order to turn on the power again, start up the self-diagnostic function.
- The output transistors in each amplifier channel should be checked for damage before applying power to this unit.
- Amplifier current should be monitored by measuring DC voltage across the emitter resistors for each channel.

2. プロテクションが働いて電源が切れた場合:

そのときに働いたプロテクションの情報が表示されます。数秒後、「A1-1 DSP MARGIN」メニューが表示されます。

注) このときに "⏻" (電源) キーを押していったん電源を切った後にダイアグを再起動すると、上述の「1. 通常の操作で電源を切った場合」に相当するので、「NO PROTECT」が表示されます。

ただし、プロテクションの履歴はメモリーにバックアップして記憶されます。詳細は、「P2 PROTECTION HISTORY」メニューを参照してください。

2-1. 過電流によるプロテクション履歴がある場合

原因: パワーアンプに過電流が流れた。

補足: パワーアンプの電流を検出していますので、電流検出トランジスタをチェックすれば異常チャンネルが特定できます。

異常状態のまま電源を入れると、瞬時にプロテクションが働き、すぐに電源が切れます。

注意!

- 異常状態のまま本機の電源を入れると、危険な状態になり、さらに回路が損傷を受ける原因になります。それを避けるために、「I PROTECT」が1回働いた場合、それ以降 "⏻" (電源) キーを押しても電源が入らなくなります。再度電源を入れる場合、ダイアグを起動してください。
- 本機の電源をいれる前に、各パワーアンプの出力トランジスタに損傷がないかチェックしてください。
- パワーアンプの電流は、各チャンネルのエミッターの抵抗器間 DC 電圧を測定することによりモニターしてください。

2-2. When the protection function worked due to abnormal DC output.

DC PRT:xxxxH

AD conversion value when the protection function is working
プロテクションが働いたときの電圧の A/D 変換値

Cause: DC output of the power amplifier is abnormal.

Supplementary information: The protection function worked due to a DC voltage appearing at the speaker terminal. A cause could be a defect in the amplifier.

Turning on the power without correcting the abnormality will cause the protection function to work in 5 seconds and the power supply will be shut off.

2-2. DC 出力異常によりプロテクションが働いた場合

原因: パワーアンプの DC 出力が異常。

補足: アンプの故障でスピーカー端子に直流電圧が掛かるなどが原因で、プロテクションが働いたことを示します。

異常状態のまま電源を入れると、5 秒後にプロテクションが働き、電源が切れます。

2-3. When the protection function worked due to abnormal voltage in the power supply section.

PS PRT:xxxL

AD conversion value when the protection function is working
プロテクションが働いたときの電圧の A/D 変換値

Cause: The voltage in the power supply section is abnormal.

Supplementary information: The protection function worked due to a defect or overload in the power supply.

Turning on the power without correcting the abnormality will cause the protection function to work in 1 seconds and the power supply will be shut off.

2-3. 電源部の電圧異常によりプロテクションが働いた場合

原因: 電源部の電圧が異常。

補足: 電源電圧による原因で、プロテクションが働いたことを示します。

異常状態のまま電源を入れると、1 秒後にプロテクションが働き、電源が切れます。

Notes)

- Applying the power to this unit without correcting the abnormality can be dangerous and cause additional circuit damage. To avoid this, if "PS" and "DC" protection function works 3 times consecutively, the power will not turn on even when the "⏻" (Power) key is pressed. In order to turn on the power again, start up the self-diagnostic function.
- The output transistors in each amplifier channel should be checked for damage before applying power to this unit.
- Amplifier current should be monitored by measuring DC voltage across the emitter resistors for each channel.

注意!

- 異常状態のまま本機の電源を入れると、危険な状態になり、さらに回路が損傷を受ける原因になります。それを避けるために、「DC」、「PS」プロテクションが連続して3回目働いた場合、それ以降「⏻」(電源)キーを押しても電源が入らなくなります。再度電源を入れる場合、ダイアグを起動してください。
- 本機の電源をいれる前に、各パワーアンプの出力トランジスタに損傷がないかチェックしてください。
- パワーアンプの電流は、各チャンネルのエミッターの抵抗器間 DC 電圧を測定することによりモニターしてください。

2-4. When the protection function worked due to excessive heatsink temperature.

2-4. ヒートシンクの異常温度によりプロテクションが働いた場合

TNP1PRT: xxxL

AD conversion value when the protection function is working
 プロテクションが働いたときの電圧の A/D 変換値

Cause: The temperature of the heatsink is excessive.

Supplementary information: The protection function worked due to the temperature limit being exceeded. Causes could be poor ventilation or a defect related to the thermal sensor.

Turning on the power without correcting the abnormality will cause the protection function to work in 1 seconds and the power supply will be shut off

原因： ヒートシンクの温度が異常。

補足： 温度制限を越えた原因で、プロテクションが働いたことを示します。

異常状態のまま電源を入れると、1秒後にプロテクションが働き、電源が切れます。

● **History of protection function**

When the protection function has worked, its history is stored in memory with a backup.

Even if no abnormality is noted while servicing the unit, an abnormality which has occurred previously can be defined as long as the backup data has been stored.

For details, refer to "P2 PROTECTION HISTORY" menu.

● **プロテクションの履歴**

プロテクションが働いた場合、その履歴をバックアップして記憶しています。

修理のときに異常が認められなくても、バックアップが残っていれば、お客様のところで起きた異常を区別できます。

詳細は、「P2 PROTECTION HISTORY」メニューを参照してください。

● Operation procedure of Main menu and Sub-menu

There are 24 main menu items, each of which has sub-menu items.

Main menu selection

Select the main menu using "SCENE TV" (forward) and "SCENE BD/DVD" (reverse) keys

Sub-menu selection

Select the sub-menu using "SCENE RADIO" (forward) and "SCENE CD" (reverse) keys.

● メインメニューとサブメニューの操作

ダイアグには 24 個のメインメニューがあり、そのそれぞれにサブメニューがあります。

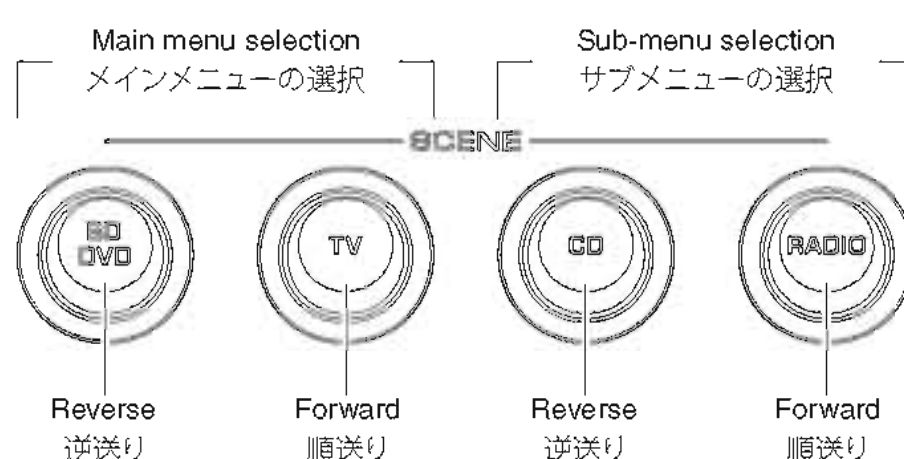
メインメニューの選択

"SCENE TV" (順送り)、"SCENE BD/DVD" (逆送り) キーで選択します。

サブメニューの選択

"SCENE RADIO" (順送り)、"SCENE CD" (逆送り) キーで選択します。

Keys of this unit / 本機キー



● Functions in Self-Diagnostic Function mode

In addition to the self-diagnostic function menu items, functions as listed below are available.

- Power ON/OFF
- Master volume
- Muting
- Input selection

* Functions related to the tuner and the set menu are not available

● ダイアグ中の機能

ダイアグメニューの他に、以下の機能が動作します。

- 電源 オン/オフ
- マスターボリューム
- ミューティング
- インプットセレクト

※ チューナー関連、セットメニュー関連は機能しません。

● Initial settings when Self-Diagnostic Function started

The following initial settings are used when starting self-diagnostic function.

When self-diagnostic function is canceled, these settings are restored to those before starting self-diagnostic function

- Master volume: -20 dB
- Input: HDMI 1
- Main menu: A1-1. DSP MARGIN
- Speaker setting: LARGE, Bass out to SWFR (All channels)
- HDMI Control: Off

● ダイアグ開始時の初期設定

ダイアグ開始時に以下のような設定になります。

ダイアグ解除時にはダイアグ開始前の状態に戻ります。

- マスターボリューム: -20 dB
- インプット: HDMI 1
- メインメニュー: A1-1. DSP MARGIN
- スピーカー設定: LARGE、Bass out to SWFR (すべてのチャンネル)
- HDMI コントロール: OFF

● **Details of Self-Diagnostic Function menu**

A1. DSP AUDIO

This menu is used to check audio signal route via DSP.

A1-1. DSP MARGIN

The audio signal is output including the head margin via DSP.

* When input source is stereo, signal is assigned as below.

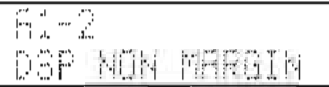
- Front L: Front L, Center, Surround L, Surround Back L
- Front R: Front R, Surround R, Surround Back R
- Front L +10 dB: Subwoofer



A1-2. DSP NON MARGIN

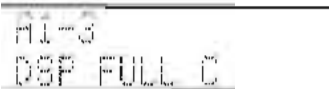
The SUBWOOFER signal is output including the head margin via DSP.

The audio signal other than SUBWOOFER is output without including the head margin via DSP.



A1-3. DSP FULL CENTER

The audio signal is output to only CENTER channel in digital full bit without including the head margin



INPUT: AV5 ANALOG
SPEAKER OUT: 1 kHz, SUBWOOFER OUTPUT: 50 Hz

Input level	Volume	SPEAKER OUTPUT				SUBWOOFER OUTPUT
		FRONT	CENTER	SURROUND	SURROUND BACK	
Both ch, -20 dBm	+6.5 dB	-∞	+11.5 dBm	-∞	-∞	-∞

● **ダイアグメニュー詳細**

A1. DSP AUDIO

DSP を経由するオーディオ信号経路をチェックします。

A1-1. DSP MARGIN

音声信号が DSP を経由してヘッドマージンを含んで出力されます。

※ 2ch 信号入力時、以下のように信号が振り分けられて出力されます。

- Front L : Front L、Center、Surround L、Surround Back L
- Front R : Front R、Surround R、Surround Back R
- Front L +10 dB : Subwoofer

A1-2. DSP NON MARGIN

サブウーファースの音声信号が DSP を経由してヘッドマージンを含んで出力されます。

サブウーファー以外の音声信号は DSP を経由してヘッドマージンを含まず出力されます。

A1-3. DSP FULL CENTER

音声信号がヘッドマージンを含まず、デジタルフルビットで CENTER チャンネルのみへ出力されます。

A1-4. DSP FULL SURROUND

The audio signal is output to only SURROUND L/R channels in digital full bit without including the head margin.

A1-4. DSP FULL SURROUND

音声信号がヘッドマージンを含まず、デジタルフルビットで SURROUND L/R チャンネルのみへ出力されます。

A1-4
DSP FULL S

INPUT: AV5 ANALOG

SPEAKER OUT: 1 kHz, SUBWOOFER OUTPUT: 50 Hz

Input level	Volume	SPEAKER OUTPUT				SUBWOOFER OUTPUT
		FRONT	CENTER	SURROUND	SURROUND BACK	
Both ch, -20 dBm	+6.5 dB	-∞	-∞	+11.5 dBm	-∞	-∞

A1-5. DSP FULL SURROUND BACK

The audio signal is output to only SURROUND BACK L/R channels in digital full bit without including the head margin.

A1-5. DSP FULL SURROUND BACK

音声信号がヘッドマージンを含まず、デジタルフルビットで SURROUND BACK L/R チャンネルのみへ出力されます。

A1-5
DSP FULL SB

INPUT: AV5 ANALOG

SPEAKER OUT: 1 kHz, SUBWOOFER OUTPUT: 50 Hz

Input level	Volume	SPEAKER OUTPUT				SUBWOOFER OUTPUT
		FRONT	CENTER	SURROUND	SURROUND BACK	
Both ch, -20 dBm	+6.5 dB	-∞	-∞	-∞	+11.5 dBm	-∞

A2. DIRECT AUDIO

This menu is used to check audio signal route of DIRECT mode.

A2-1. ANALOG DIRECT

The analog input audio signal is output to FRONT L/R in DIRECT mode.

A2. DIRECT AUDIO

DIRECT モードのオーディオ信号経路をチェックします。

A2-1. ANALOG DIRECT

アナログ入力の音声信号が DIRECT モードで FRONT L/R へ出力されます。



INPUT: AV5 ANALOG
SPEAKER OUT: 1 kHz, SUBWOOFER OUTPUT: 50 Hz

Input level	Volume	SPEAKER OUTPUT				SUBWOOFER OUTPUT
		FRONT	CENTER	SURROUND	SURROUND BACK	
Both ch, -20 dBm	+6.5 dB	+11.5 dBm	-∞	-∞	-∞	-∞

A3. HDMI AUDIO

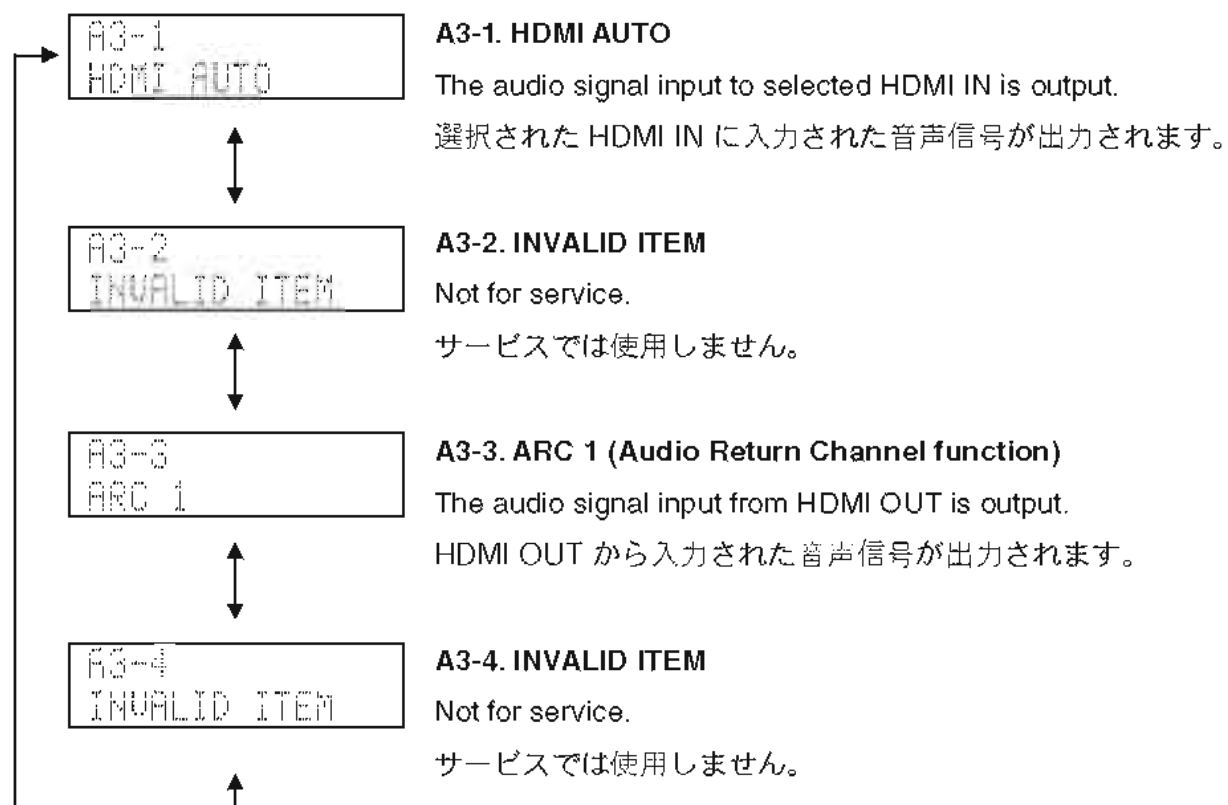
This menu is used to check the route of audio signal input to HDMI IN/OUT

- * Before check using "A3-3. ARC 1" menu, be sure to connect a TV monitor equipped with Audio Return Channel function to this unit in advance.

A3. HDMI AUDIO

HDMI IN/OUT に入力されたオーディオ信号の経路をチェックします。

- ※ "A3-3. ARC 1" メニューでのチェックの前に、あらかじめ必ず Audio Return Channel 機能に対応しているテレビを接続してください。

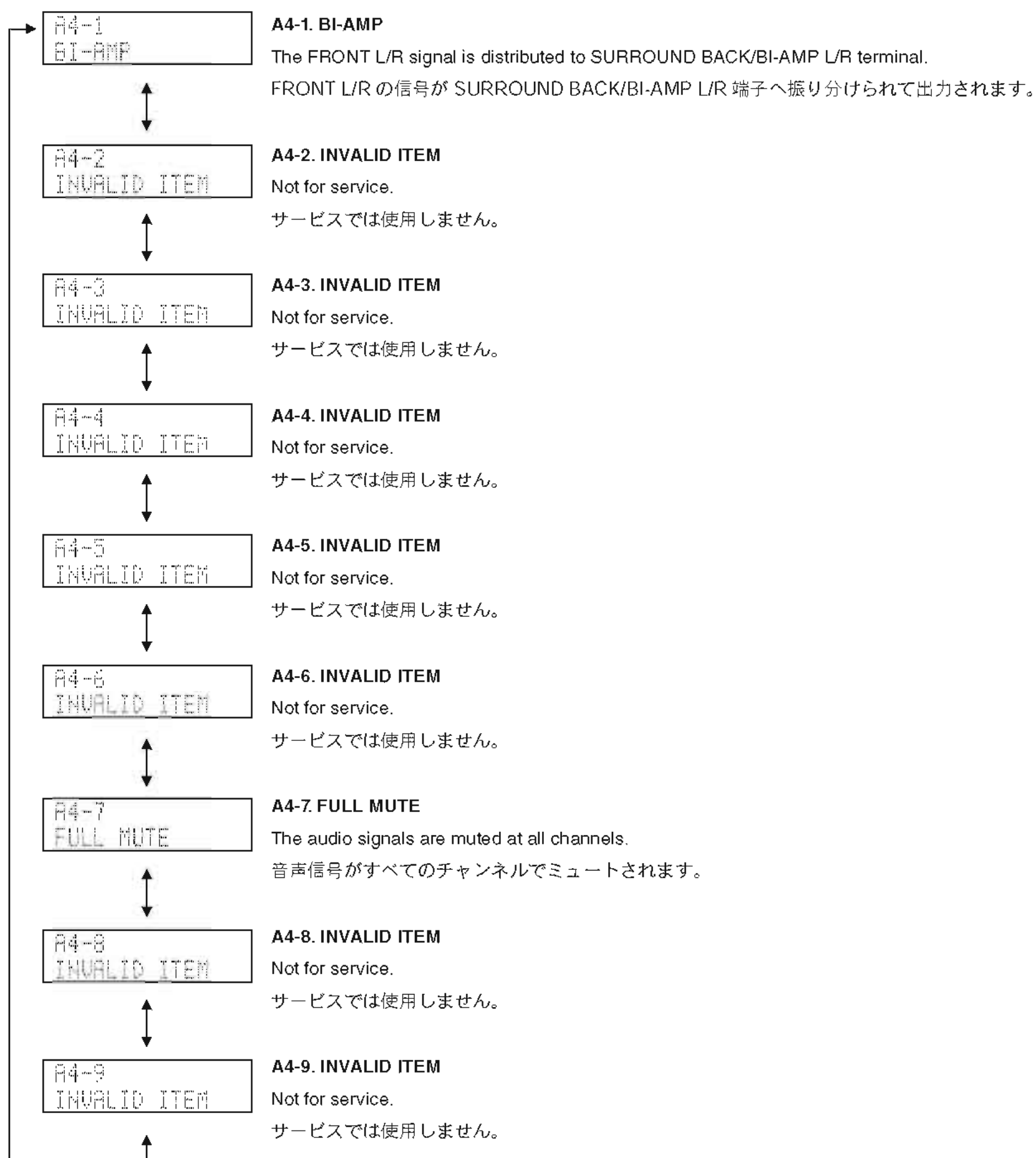


A4. SPEAKERS SET

This menu is used to check the speaker output.

A4. SPEAKERS SET

スピーカー出力をチェックします。



INPUT: AV5 ANALOG

SPEAKER OUT: 1 kHz, SUBWOOFER OUTPUT: 50 Hz

Sub-menu	Input level	Volume	SPEAKER OUTPUT				SUBWOOFER OUTPUT
			FRONT L/R	CENTER	SURROUND L/R	SURROUND BACK L/R	
A4-1. BI-AMP	Both ch, -20 dBm	+6.5 dB	+11.5 dBm	+11.5 dBm	+11.5 dBm	+11.5 dBm	-1.5 dBm
A4-7. FULL MUTE	Both ch, -20 dBm	+6.5 dB	- ∞	- ∞	- ∞	- ∞	- ∞

A5. MULTI CHANNEL INPUT

Not for service.

A5-1
8ch Input 8ohm



A5-2
8ch Input 6ohm

A5. MULTI CHANNEL INPUT

サービスでは使用しません。

A6. MIC CHECK

A6-1. MIC ROUTE CHECK

The signals input through the YPAO microphone are output to FRONT L and FRONT R channels via A/D-D/A.

A6. MIC CHECK

A6-1. MIC ROUTE CHECK

YPAO マイクに入力された信号が A/D - D/A 経由で FRONT L、FRONT R チャンネルへ出力されます。

A6-1
MIC ROUTE

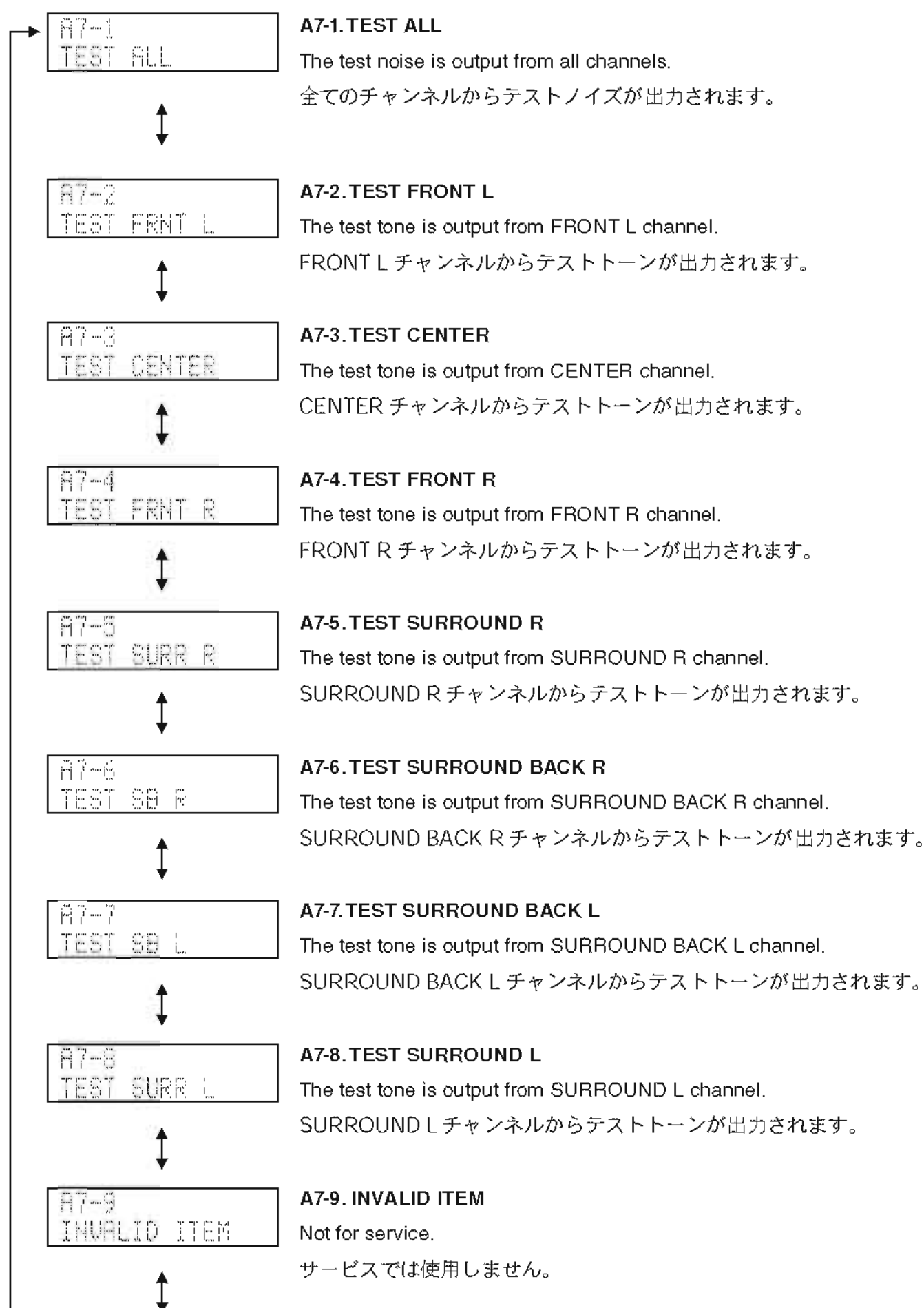
A7. MANUAL TEST

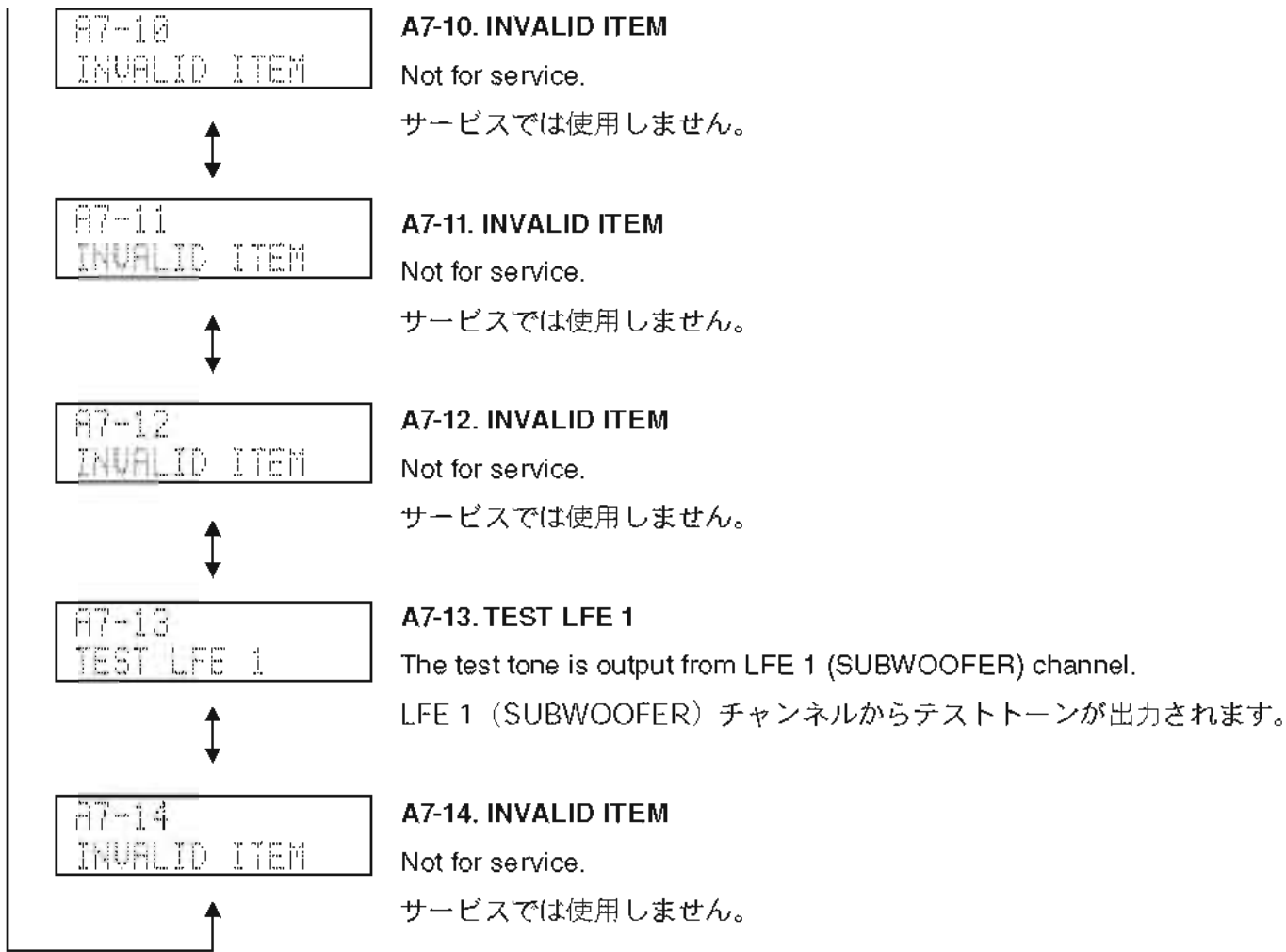
The built-in noise generator of DSP outputs the test noise or test tone through the channels specified by using the sub-menu.

A7. MANUAL TEST

DSP 内蔵のノイズ発生回路によって、サブメニューで指定したチャンネルへテストノイズ・テストトーンが出力されます。

	Test noise / テストノイズ	Test tone / テストトーン
for LFE / LFE 用	30 Hz to 80 Hz pink noise / ピンクノイズ	50 Hz sine wave / 正弦波
for other than LFE / LFE 以外	500 Hz to 2 kHz pink noise / ピンクノイズ	1 kHz sine wave / 正弦波





D1. FL CHECK

This menu is used to check the FL display.

D1. FL CHECK

FL 表示をチェックします。

FL display / FL 表示

D1-1. INITIAL DISPLAY / 初期表示



D1-2. ALL SEGMENT OFF / 全セグメント消灯

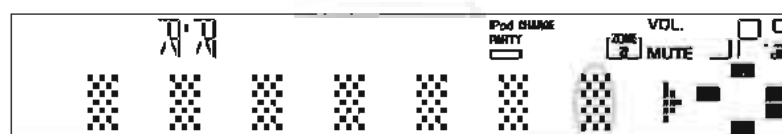


D1-3. ALL SEGMENT ON / 全セグメント点灯

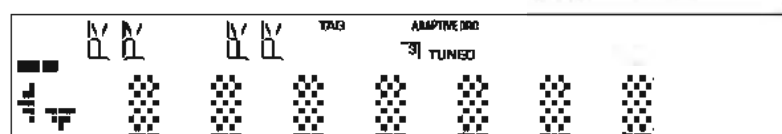


* After check, change to next menu at once.
確認後、すみやかに次のサブメニューを選択してください。

D1-4. CHECK PATTERN 1 / チェックパターン 1



D1-5. CHECK PATTERN 2 / チェックパターン 2



Example/ 例

Lighting on segments in lattice.
セグメント格子状点灯

Short ショート	Normal 正常

Segment conditions of the FL tube is checked by turning ON and OFF all segments

Next, a short between segments next to each other is checked by turning ON and OFF all segments alternately (in lattice).

(In the above example, the segments in the second row from the top are shorted.)

全セグメント消灯・全セグメント点灯により FL 管のセグメントの不良を確認します。

次に、全セグメントを交互（格子状）に点灯／消灯することで、隣り合うセグメントのショートをチェックします。

(上記の例は、上から 2 列目のセグメントがショートしています。)

Z1. INVALID ITEM

Not for service.

Z1-1
INVALID ITEM

.....

Z1-8
INVALID ITEM

Z1. INVALID ITEM

サービスでは使用しません。

R1. INVALID ITEM

Not for service.

R1-1
INVALID ITEM

.....

R1-7
INVALID ITEM

R1. INVALID ITEM

サービスでは使用しません。

U1. iPod

This menu is used to check the DOCK jack/iPod authentication IC without connecting the iPod itself.

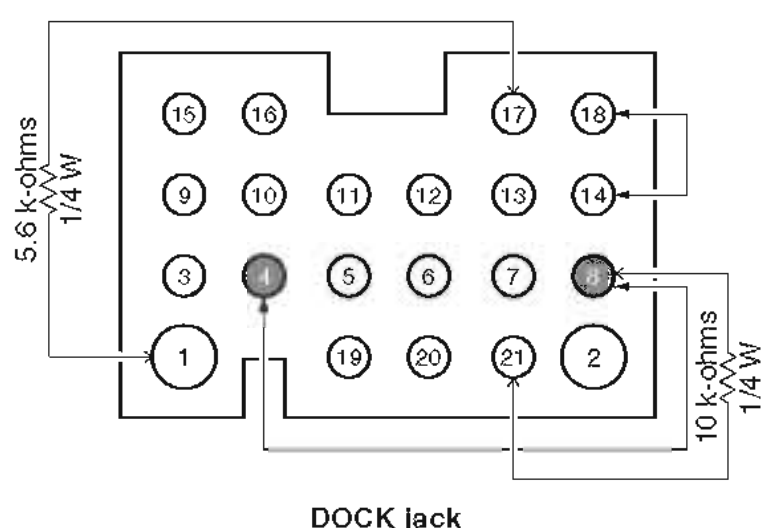
U1-1. DOCK CHECK

With the power turned off, short the pins of the DOCK jack as shown in the figure below.

Start up the self-diagnostic function and select this menu

The check result is displayed according to the following display specifications.

Note) Be sure to return the shorted pins to their original condition after executing this test.



U1. iPod

iPod 本体を接続しないで、DOCK 端子 / iPod 認証 IC の検査を行うメニューです。

U1-1. DOCK CHECK

電源を切った状態で、下図のように DOCK 端子のピンをショートします。

ダイアグを起動して本メニューを選択します。

下記表示仕様に従って、チェック結果が表示されます。

注意) 検査後、ショートしたピンを必ず元の状態に戻してください。

U1-1
 DOCK: OK YYY Y

All Y / すべて Y = "OK"
 Others / その他 = "NG"

Shorted pins / ショートピン	Check item / チェック項目	Result / 結果	Display / 表示
14 - 18	UART loop back test UART ループバックテスト	OK	Y
		NG	N
1 - 17 (5.6 k-ohms, 1/4W)	DK1_AP (iPod accessory power) detection DK1_AP (iPod accessory power) 検出	IC57 pin No. 79 High = YES	Y
		Low = No	N
4 - 8	DK1_N_IPDET (iPod installation to DOCK) detection DK1_N_IPDET (iPod installation to DOCK) 検出	IC57 pin No. 42 Low = installed / 装着	Y
		High = not installed / 非装着	N
8 - 21 (10 k-ohms, 1/4W)	DK1_ID (DOCK ID) detection DK1_ID (DOCK ID) 検出	IC57 pin No. 157 10 k-ohms, 1/4 W pull down	Y
		Other	N

U1-2. iPod AUTHENTICATION IC CHECK

Communication and bus line connection between iPod authentication IC (IC52) and microprocessor (IC57) are checked.

U1-2. iPod AUTHENTICATION IC CHECK

iPod 認証 IC (IC52) とマイコン (IC57) の通信・バスラインの接続をチェックします。

U1-2
 AUTH CHIP: OK

OK: No error detected / 不良検出なし
 NG: An error is detected / 不良検出あり

U2. USB

This menu is used to check audio signal route of USB

U2-1. INVALID ITEM

Not for service.

```
U2-1
INVALID ITEM
```

U2-2. INVALID ITEM

Not for service.

```
U2-2
INVALID ITEM
```

U2-3. INVALID ITEM

Not for service.

```
U2-3
INVALID ITEM
```

U2-4. USB FRONT 1 TRACK

The 1st music file stored in the USB storage device connected to the USB port is reproduced.

* Copy 2 or more music files from PC to the root folder of the USB storage device in advance.

```
U2-4
USB_F 1 TRACK
```

U2-5. USB FRONT 2 TRACK

The 2nd music file stored in the USB storage device connected to the USB port is reproduced.

```
U2-5
USB_F 2 TRACK
```

U2-6. USB INITIAL PROGRAM LOAD

Communication and bus line connection between microprocessor (IC57) and USB host controller (IC46) are checked.

OK : No error detected
NG : An error is detected

```
U2-6
USB IPL:OK
```

U2. USB

USB のオーディオ信号経路をチェックします。

U2-1. INVALID ITEM

サービスでは使用しません。

U2-2. INVALID ITEM

サービスでは使用しません。

U2-3. INVALID ITEM

サービスでは使用しません。

U2-4. USB FRONT 1 TRACK

USB ポートに接続された USB フラッシュメモリーの音楽ファイルの 1 曲目が再生されます。

※ あらかじめ PC から USB フラッシュメモリーのルートフォルダに音楽ファイルを 2 曲以上コピーしてください。

U2-5. USB FRONT 2 TRACK

USB ポートに接続された USB フラッシュメモリーの音楽ファイルの 2 曲目が再生されます。

U2-6. USB INITIAL PROGRAM LOAD

マイコン (IC57) と USB ホストコントローラー (IC46) の通信・バスラインの接続をチェックします。

OK : 不良検出なし
NG : 不良検出あり

U2-7. USB iPod CHECK

This menu is used to check audio signal route of the iPod.

Connect between USB port of this unit and iPod with the USB cable supplied with the iPod.

U2-7. USB iPod CHECK

iPod のオーディオ信号経路をチェックします。本機の USB ポートと iPod を iPod に付属の USB ケーブルで接続します。

U2-7
USB iPod:OK

OK: Connected / 接続
NG: No traffic / Disconnected
通信不能 / 接続が切れている
-: Checking / チェック中

U3. INVALID ITEM

Not for service.

U3. INVALID ITEM

サービスでは使用しません。

U3-1
INVALID ITEM



U3-2
INVALID ITEM

N1. INVALID ITEM

Not for service.

N1. INVALID ITEM

サービスでは使用しません。

N1-1
INVALID ITEM



N1-13
INVALID ITEM

C1. DIGITAL P.C.B. CHECK

This menu is used to check the communication and bus line connection between devices on DIGITAL P.C.B.

C1. DIGITAL P.C.B. CHECK

DIGITAL P.C.B. の各デバイス間の通信・バスラインの接続をチェックします。

C1-1. ALL

The synthetic judgment result of sub-menu C1-2 to C1-8 is displayed.

OK . No error detected
NG . An error is detected

C1-1. ALL

サブメニュー C1-2 ~ C1-8 の総合判定結果を表示します。

OK : 不良検出なし
NG : 不良検出あり

C1-1
ALL:OK

C1-2. BUS FLASH ROM

Reading/writing FLASH ROM (IC58) are checked.

- OK : No error detected
- NG : An error is detected

```
C1-2
BUS_FLASH:OK
```

C1-2. BUS FLASH ROM

FLASH ROM (IC58) の読み出し・書き込みを
チェックします。

- OK : 不良検出なし
- NG : 不良検出あり

C1-3. BUS FPGA

Communication and bus line connection
between microprocessor (IC57) and FPGA
(IC34) are checked.

- OK : No error detected
- NG : An error is detected

```
C1-3
BUS_FPGA:OK
```

C1-3. BUS FPGA

マイコン (IC57) と FPGA (IC34) の通信・バ
スラインの接続をチェックします。

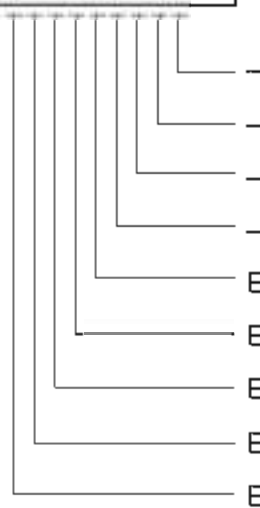
- OK : 不良検出なし
- NG : 不良検出あり

C1-4. I2C

The I2C (Inter integrated route) bus line
connection is checked.

- 0 : No error detected
- 1 : An error is detected

```
C1-4
I2C:000000----
```



- Error detection of USB host controller (IC46) / USB ホストコントローラー (IC46) の不良検出
- Error detection of HDMI transmitter (IC3) / HDMI トランスミッター (IC3) の不良検出
- Error detection of Video decoder (IC25) / ビデオデコーダー (IC25) の不良検出
- Error detection of HDMI receiver (IC2) / HDMI レシーバー (IC2) の不良検出
- Error detection of HDMI switch (IC1) / HDMI switch (IC1) の不良検出

C1-4. I2C

I2C (Inter integrated route) バスラインの接
続をチェックします。

- 0 : 不良検出なし
- 1 : 不良検出あり

C1-5. FPGA RAM

Reading/writing SDRAM (IC32) are checked.

- OK : No error detected
- NG : An error is detected

```
C1-5
FPGA_RAM:OK
```

C1-5. FPGA RAM

SDRAM (IC32) の読み出し・書き込みをチェッ
クします。

- OK : 不良検出なし
- NG : 不良検出あり

C1-6. BUS DIR

Communication and bus line connection between microprocessor (IC57) and DIR (IC72) are checked.

- OK : No error detected
- NG : An error is detected

```
C1-6
DIR BUS:OK
```

C1-6. BUS DIR

マイコン (IC57) と DIR (IC72) の通信・バスラインの接続をチェックします。

- OK : 不良検出なし
- NG : 不良検出あり

C1-7. BUS DSP1

Communication and bus line connection between microprocessor (IC57) and DSP1 (IC74) are checked.

- OK : No error detected
- NG : An error is detected

```
C1-7
DSP1 BUS:OK
```

C1-7. BUS DSP1

マイコン (IC57) と DSP1 (IC74) の通信・バスラインの接続をチェックします。

- OK : 不良検出なし
- NG : 不良検出あり

C1-8. EEPROM

Reading EEPROM (IC55) is checked.

- OK : No error detected
- NG : An error is detected

```
C1-8
EEPROM:OK
```

C1-8. EEPROM

EEPROM (IC55) の読み出しをチェックします。

- OK : 不良検出なし
- NG : 不良検出あり

C1-9. INVALID ITEM

Not for service.

```
C1-9
INVALID ITEM
```

C1-9. INVALID ITEM

サービスでは使用しません。

C1-10. INVALID ITEM

Not for service.

```
C1-10
INVALID ITEM
```

C1-10. INVALID ITEM

サービスでは使用しません。

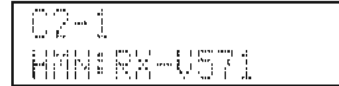
C2. HDMI INFORMATION

This menu is used to display information about HDMI.

C2-1. HDMI MODEL NAME

The model name of this unit written in HDMI module is displayed.

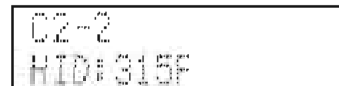
RX-V571
HTR-5064



C2-2. HDMI PRODUCT ID

The product ID of this unit written in HDMI module is displayed.

RX-V571 : 315F
HTR-5064 : 316A



C2. HDMI INFORMATION

HDMI に関する情報が表示されます。

C2-1. HDMI MODEL NAME

HDMI モジュールに書き込まれている本機のモデル名が表示されます。

RX-V571

C2-2. HDMI PRODUCT ID

HDMI モジュールに書き込まれている本機のプロダクト ID が表示されます。

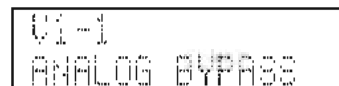
RX-V571 : 315F

V1. ANALOG VIDEO CHECK

This menu is used to check the analog video signal route.

V1-1. ANALOG BYPASS

The video signal is converted and output as shown below.

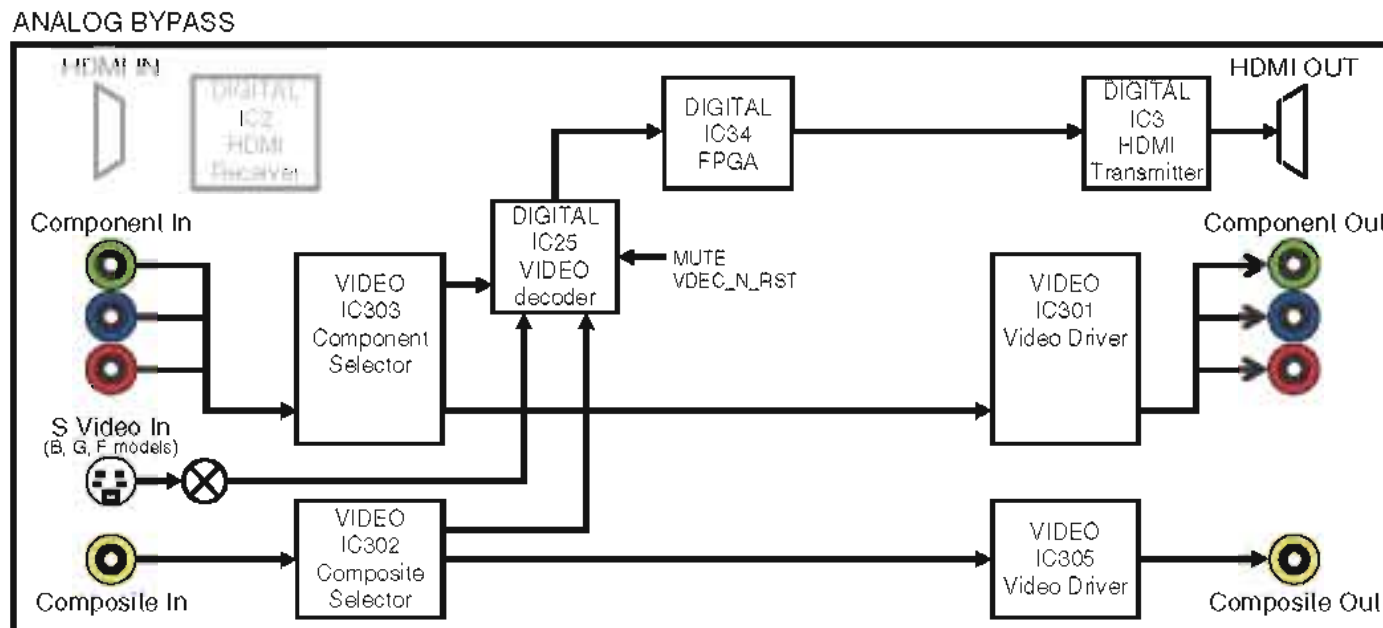


V1. ANALOG VIDEO CHECK

アナログ映像信号の経路をチェックします。

V1-1. ANALOG BYPASS

映像信号が以下のように変換され、出力されます。



V1-2. INVALID ITEM

Not for service.

V1-2
INVALID ITEM

V1-2. INVALID ITEM

サービスでは使用しません。

V1-3. INVALID ITEM

Not for service.

V1-3
INVALID ITEM

V1-3. INVALID ITEM

サービスでは使用しません。

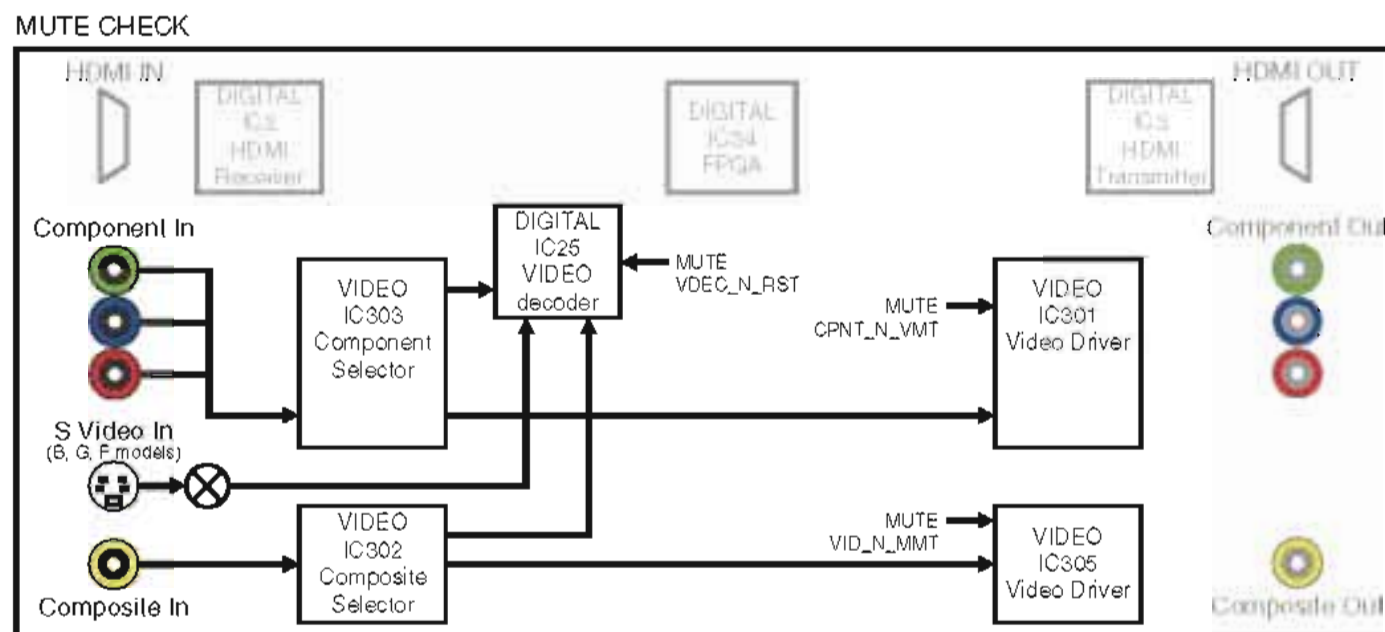
V1-4. MUTE CHECK

The video signal is muted.

V1-4
MUTE CHECK

V1-4. MUTE CHECK

映像信号がミュートされます。



V1-5. INVALID ITEM

Not for service

V1-5
INVALID ITEM

V1-5. INVALID ITEM

サービスでは使用しません。

V1-6. VIDEO INFORMATION

The information of input analog video signals is displayed

V1-6
VID_IN:480i60

V1-6. VIDEO INFORMATION

入力されているアナログ映像信号の情報が表示されます。

V2. DIGITAL VIDEO CHECK

This menu is used to check the digital video signal route.

V2-1. LOOPBACK TEST 1

Execute the test for all HDMI IN jacks by repeating the procedure below.

1. Select sub-menu other than V2-1
2. Connect between any of the HDMI IN jacks and HDMI OUT jack with an HDMI cable.
3. Select V2-1. The test result is displayed in a few seconds.

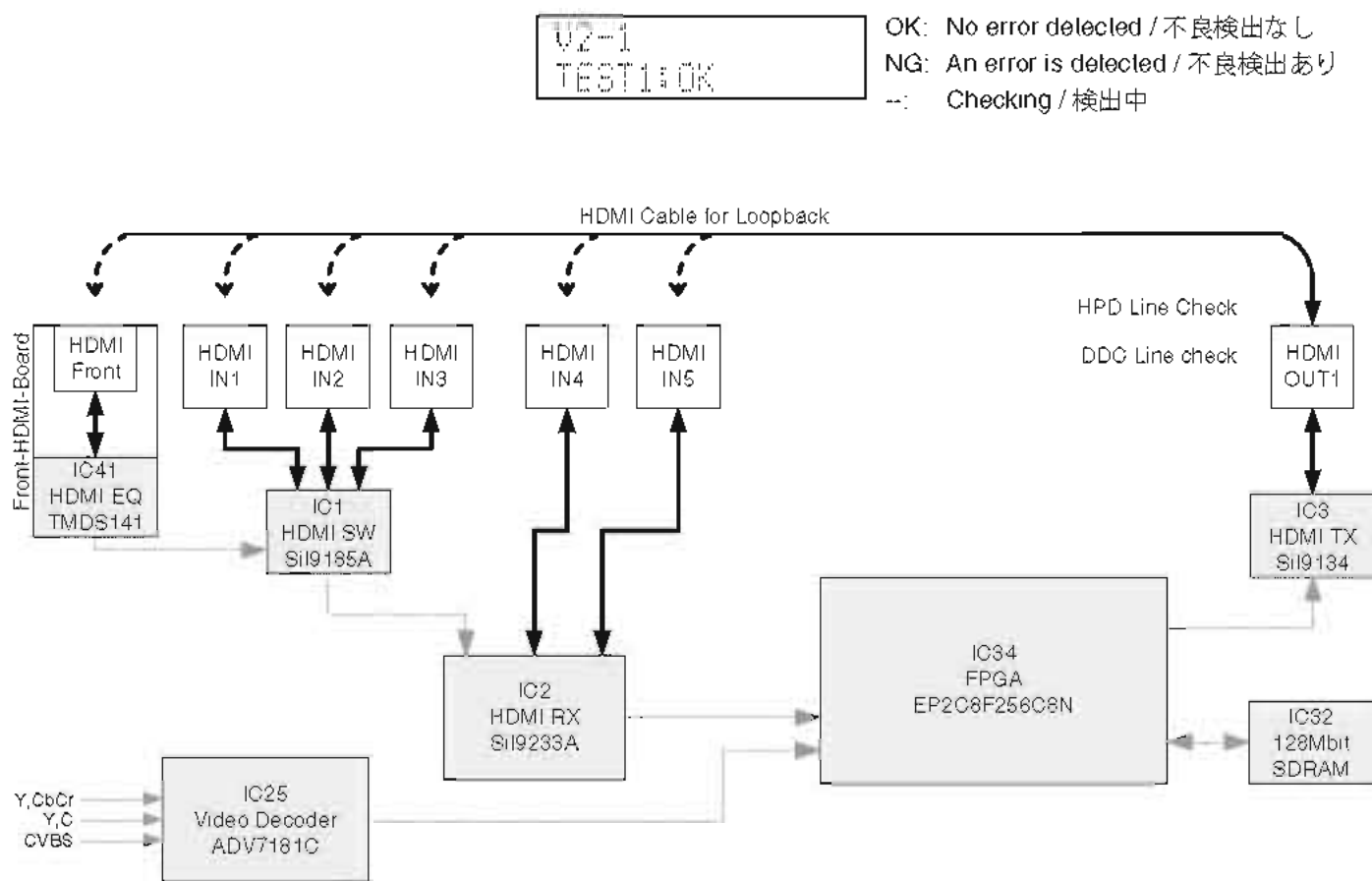
V2. DIGITAL VIDEO CHECK

デジタル映像信号経路をチェックします。

V2-1. LOOPBACK TEST 1

下記の手順を繰り返して全 HDMI IN 端子のテストを行います。

1. V2-1 以外のサブメニューを選択します。
2. HDMI IN 端子の 1 つと HDMI OUT 端子を HDMI ケーブルで接続します。
3. V2-1 を選択します。数秒後にテスト結果が表示されます。



V2-2. LOOPBACK TEST 2

Execute the test for all HDMI IN jacks by repeating the procedure below

1. Select sub-menu other than V2-2.
2. Connect between any of the HDMI IN jacks and HDMI OUT jack with an HDMI cable.
3. Select the input source corresponding to the connected HDMI IN jack by using "INPUT" knob.
4. Select V2-2. The test result is displayed in a few seconds.

V2-2. LOOPBACK TEST 2

下記の手順を繰り返して全 HDMI IN 端子のテストを行います。

1. V2-2 以外のサブメニューを選択します。
2. HDMI IN 端子の 1 つと HDMI OUT 端子を HDMI ケーブルで接続します。
3. 接続した HDMI IN 端子に合わせて入力ソースを INPUT ツマミで選択します。
4. V2-2 を選択します。数秒後にテスト結果が表示されます。

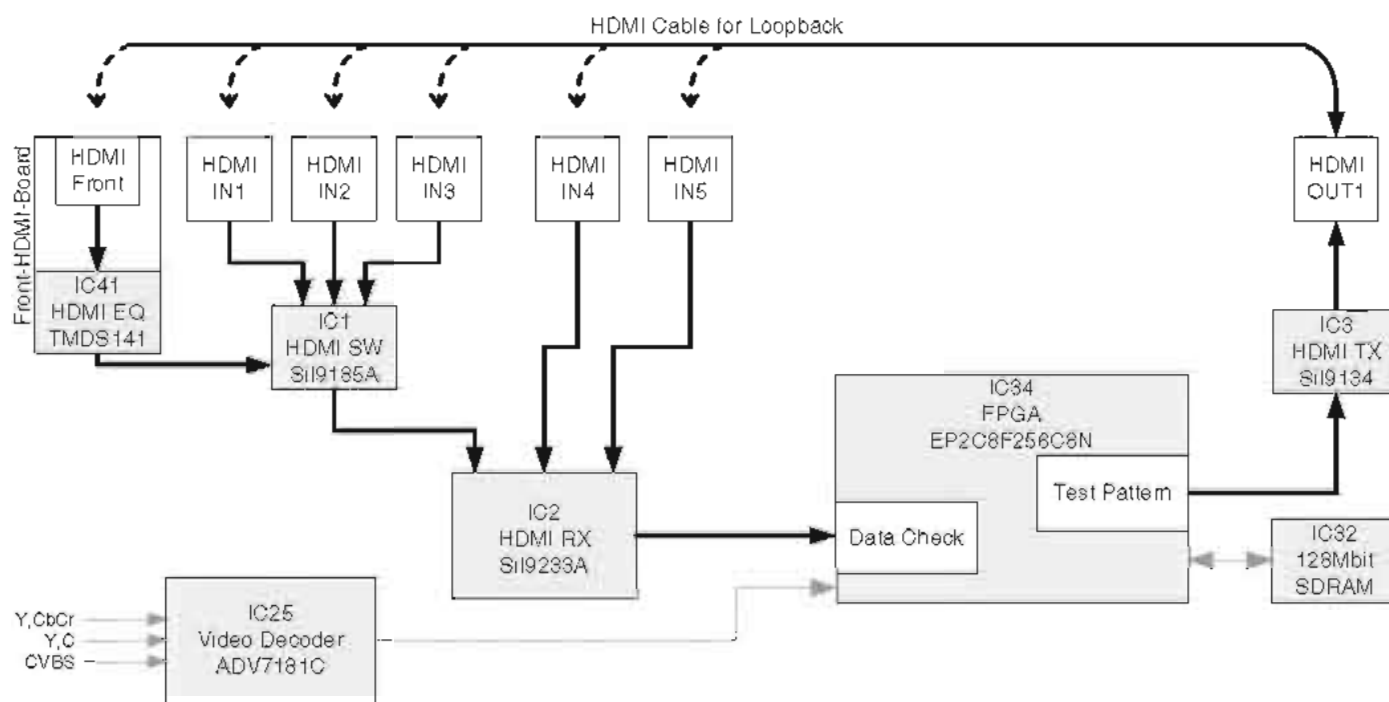
Select the input source / 入力ソースの選択



Result / 結果



OK: No error detected / 不良検出なし
 NG: An error is detected / 不良検出あり
 -: Checking / 検出中

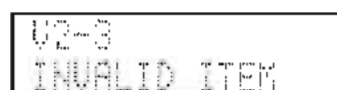


V2-3. INVALID ITEM

Not for service.

V2-3. INVALID ITEM

サービスでは使用しません。



V2-4. HDMI REPEAT

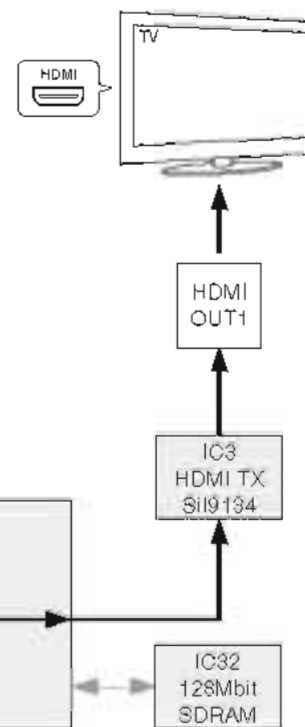
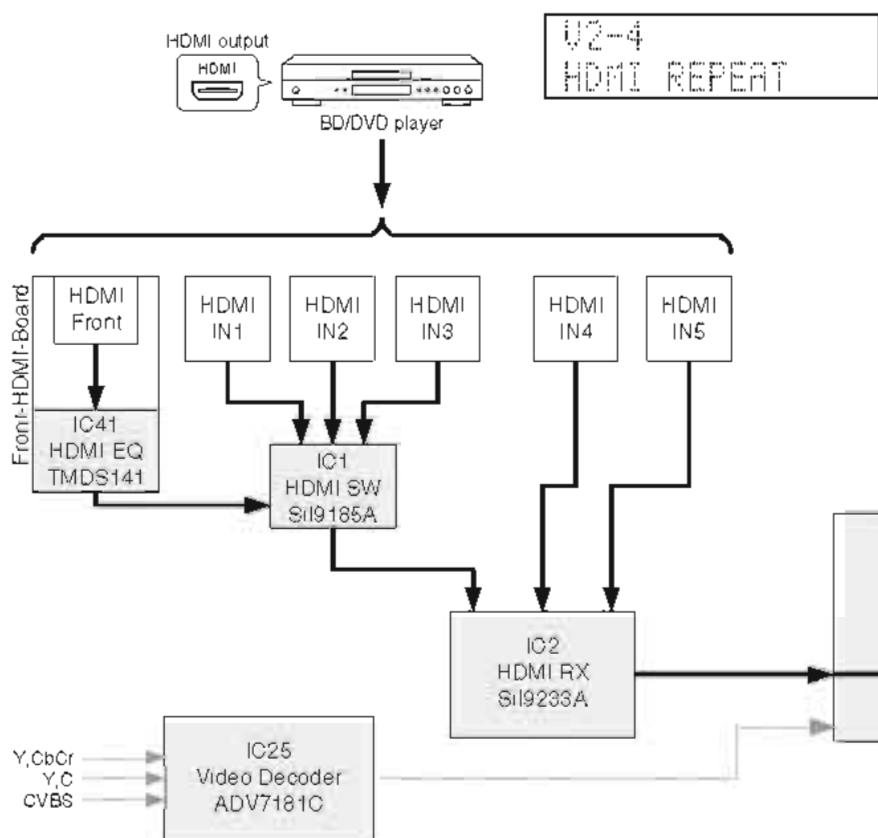
* Before check using sub-menu V2-4, disconnect the HDMI cable connected between HDMI OUT jack and HDMI IN jack of this unit in advance.

The video/audio signals input to HDMI IN jack are output to HDMI OUT jack

V2-4. HDMI REPEAT

※ サブメニュー V2-4 でのチェックの前に、あらかじめ本機の HDMI OUT 端子と IN 端子間に接続されている HDMI ケーブルを外します。

HDMI IN 端子から入力された映像信号と音声信号が HDMI OUT 端子へ出力されます。

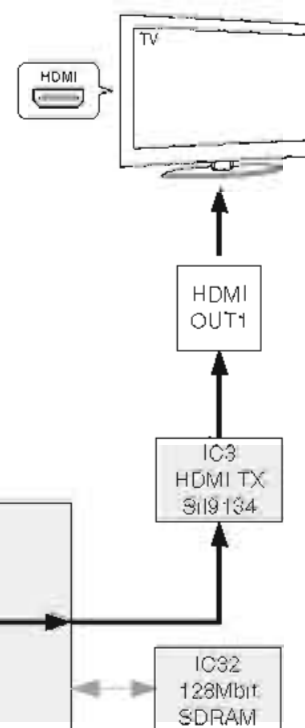
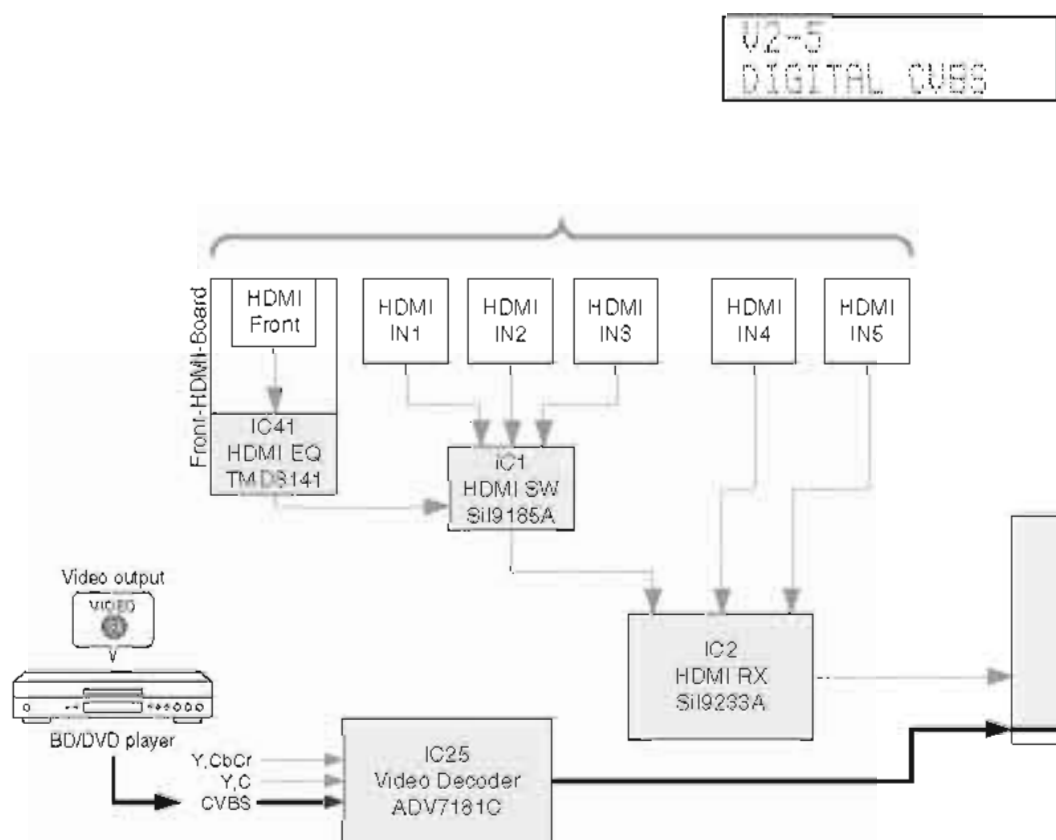


V2-5. DIGITAL CVBS

The video (CVBS) signal is converted and output as shown below

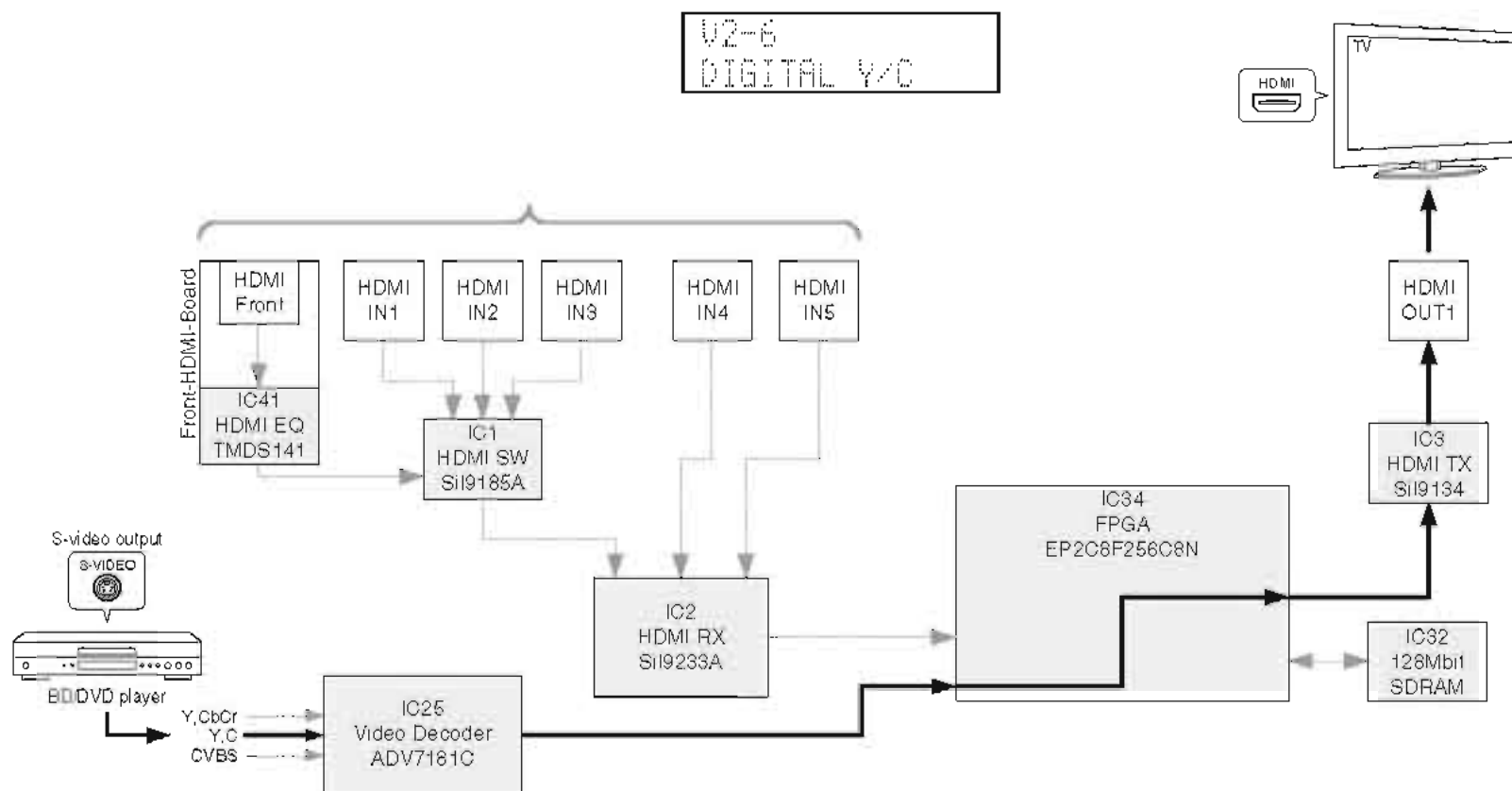
V2-5. DIGITAL CVBS

映像信号が以下のように変換され、出力されます。



V2-6. DIGITAL Y/C (B, G, F models)

The s-video (Y, C) signal is converted and output as shown below.

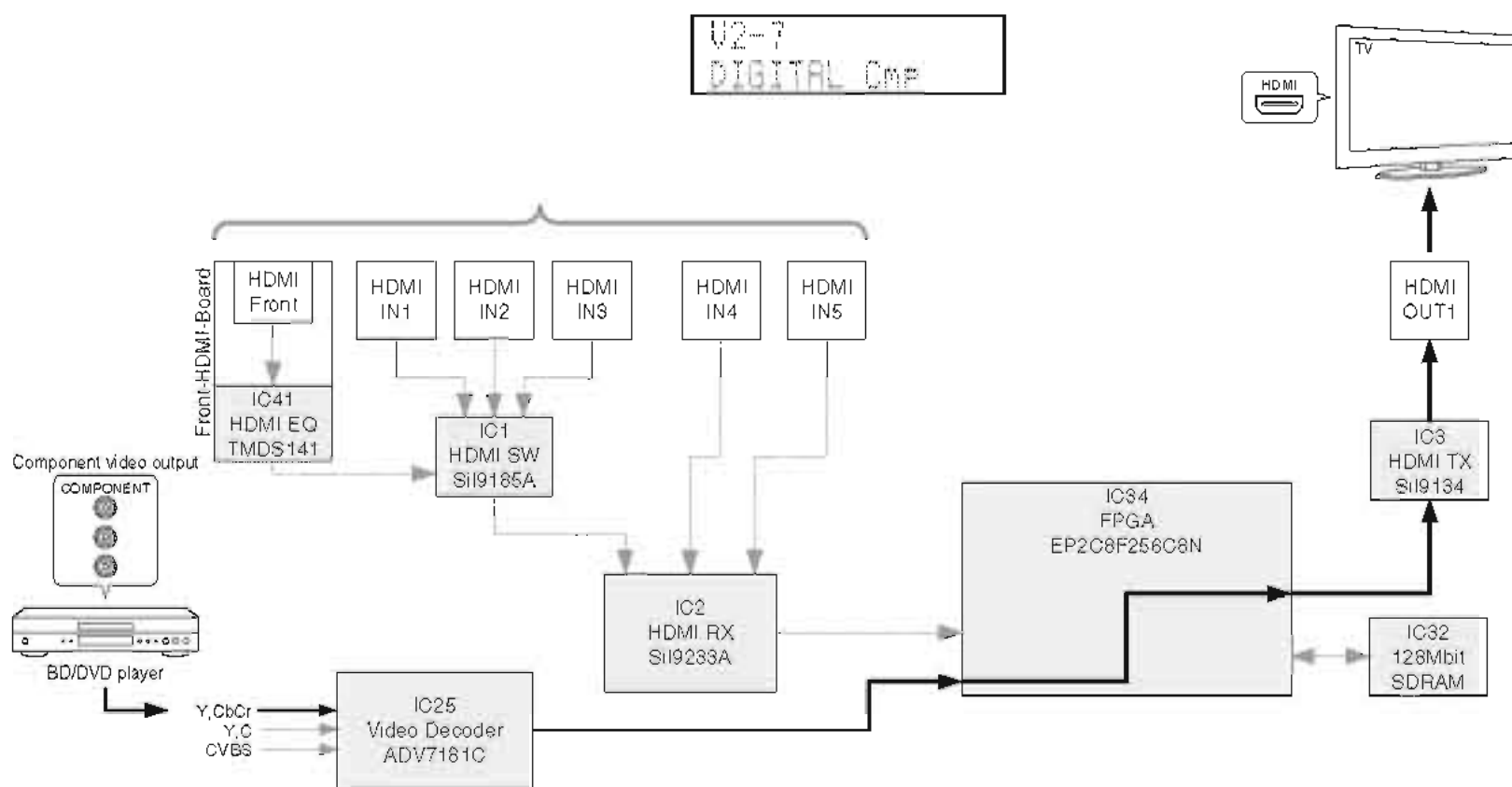


V2-6. DIGITAL Y/C (B, G, F models)

サービスでは使用しません。

V2-7. DIGITAL COMPONENT

The component video (Y, Cb, Cr) signal is converted and output as shown below.



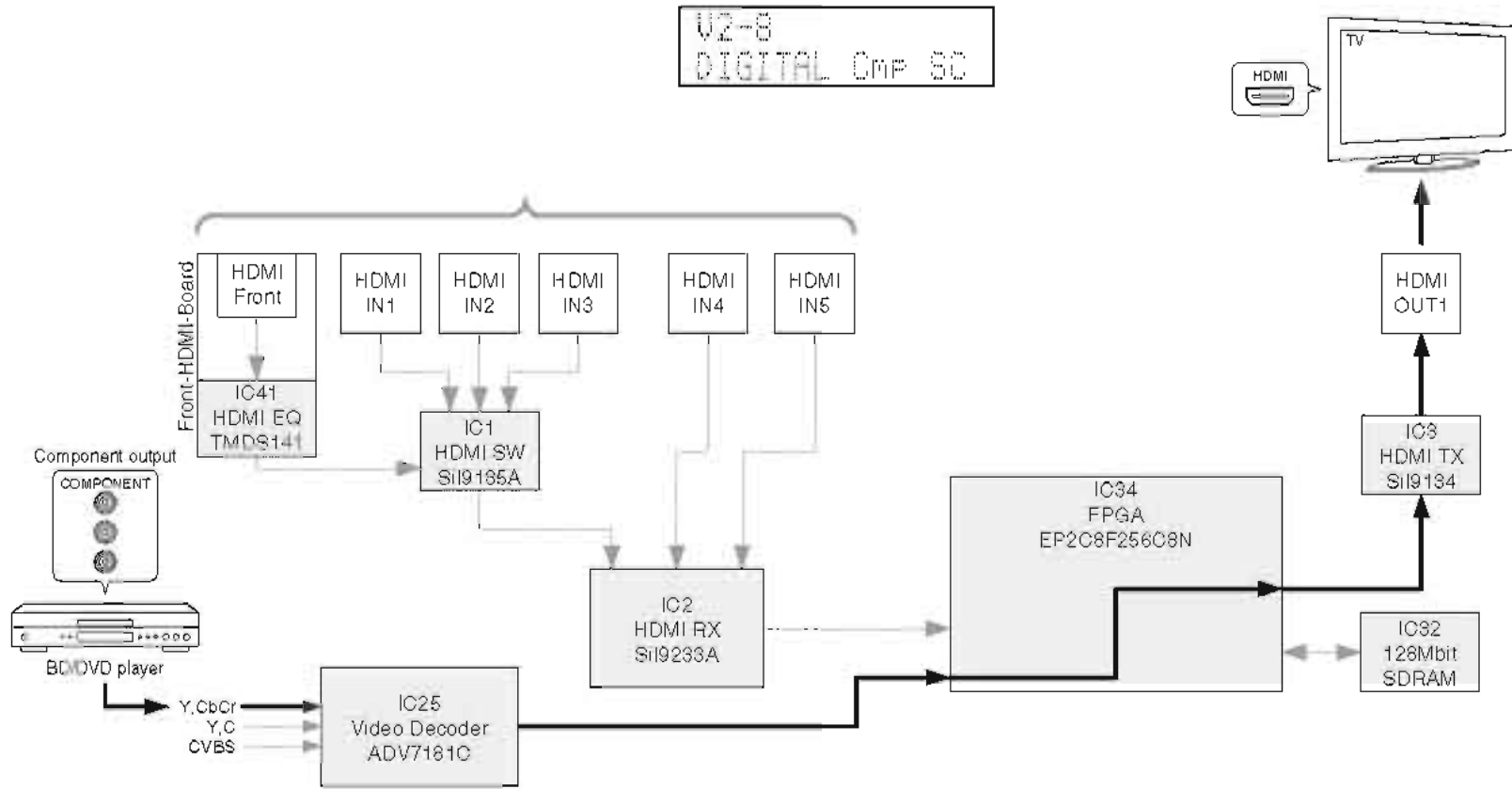
V2-7. DIGITAL COMPONENT

映像信号が以下のように変換され、出力されます。

V2-8. DIGITAL COMPONENT SC

The component video (Y, Cb, Cr) signal is converted and output as shown below.

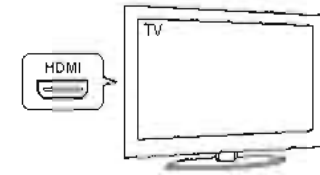
HDMI video output up-scaling:
480i/p, 576i/p only => 1080p



V2-8. DIGITAL COMPONENT SC

映像信号が以下のように変換され、出力されます。

アップスケーリング:
480i/p、576i/pのみ => 1080p



V2-9. GUI-VIDEO OUT

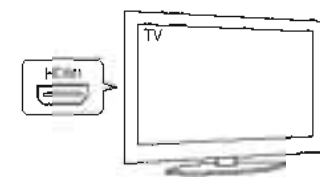
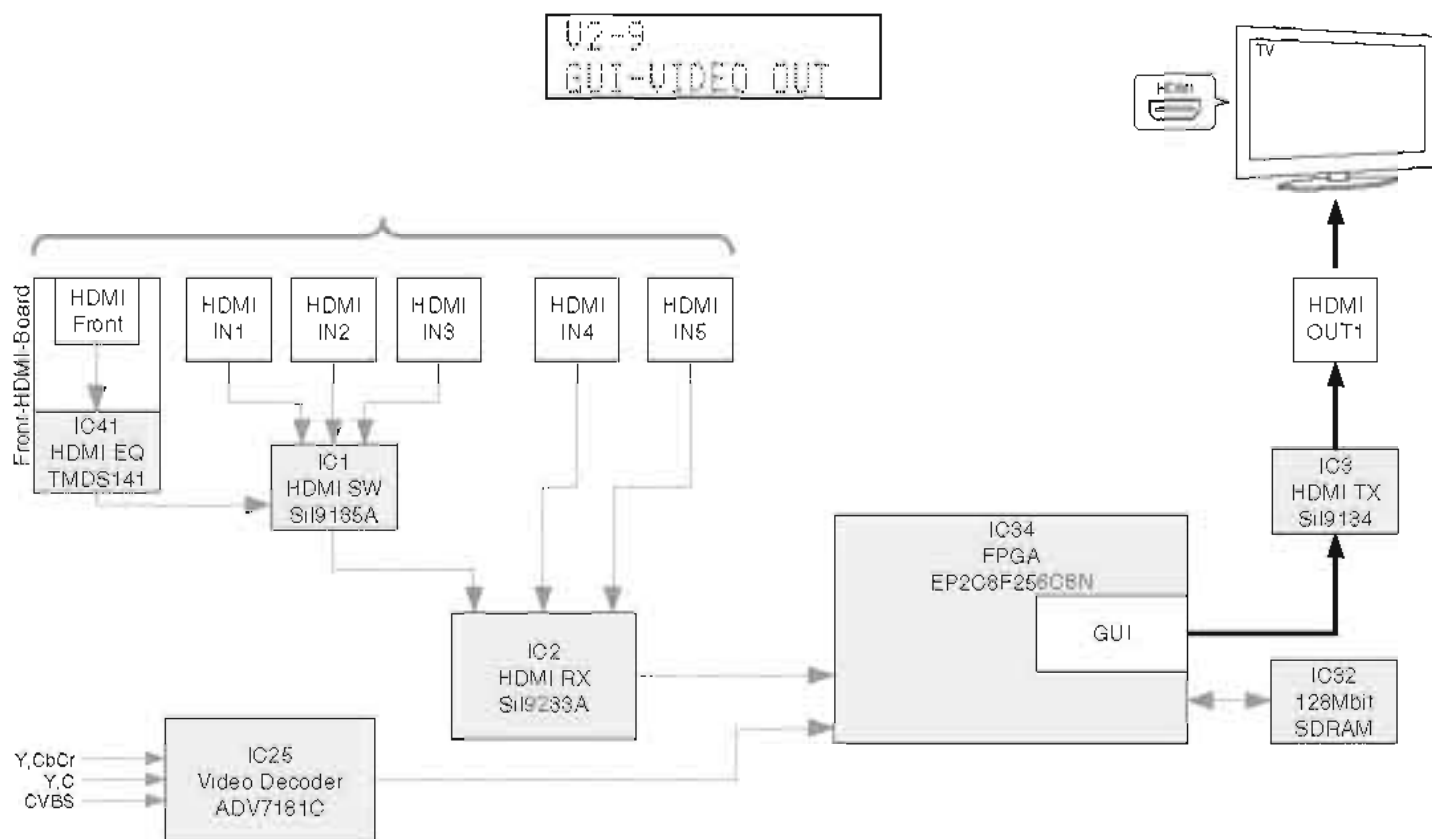
The GUI is output from FPGA (IC34 on DIGITAL P.C.B.).

HDMI output: 1080p only

V2-9. GUI-VIDEO OUT

FPGA (DIGITAL P.C.B.のIC34) から GUI が出力されます。

HDMI 出力：1080pのみ



P1. SYSTEM MONITOR

This menu is used to display the A/D conversion value of the microprocessor which detects panel keys and protection functions by using the sub-menu.

When "P1-7. KEY1/KEY2" sub-menu is selected, keys become non-operable due to detection of the values of all keys. However, it is possible to advance to the next sub-menu by pressing the "SCENE RADIO" (forward) key or "SCENE CD" (reverse) key on the remote control.

* Numeric values in the figure are given as reference only.

P1-1. DC

Power amplifier DC (DC voltage) output is detected

The voltage at 166 pin (DC_PRT) of IC57 is displayed.

Normal value: 23 to 70
(Reference voltage: 3.3 V=255)

* If DC becomes out of the normal value range, the protection function works to turn off the power.

```
P1-1
DC: 46
```

P1-2. PS1/PS2

Power supply voltage protection detection

The voltage at 155 pin (PS1_PRT)/156 pin (PS2_PRT) of IC57 are displayed.

Voltage detects

PS1: ACBL, AC12, AC5, ±7, +3.3s

PS2: VP, +5T, +5A, +3.3s, -5VA

Normal value

PS1: 33 to 128

PS2: 30 to 113 (±5VA: On)

99 to 181 (±5VA: Off)

(Reference voltage: 3.3 V=255)

* If PS1 or PS2 becomes out of the normal value range, the protection function works to turn off the power.

```
P1-2
PS1: 80 / 72
```

P1. SYSTEM MONITOR

パネルキー、プロテクションなどを検出しているマイコンの A/D 変換値を、サブメニューで表示します。

サブメニュー "P1-7. KEY1/KEY2" にすると、全キーの値を検出するためキー操作はできなくなりますが、リモコンの"SCENE RADIO" (順送り) キーまたは"SCENE CD" (逆送り) キーを押すことにより、次のサブメニューに進めることができます。

※ 図中の数値は参考例です。

P1-1. DC

パワーアンプ DC (直流電圧) 出力の検出

IC57 の 166 ピン (DC_PRT) の電圧が表示されます。

正常値: 23 ~ 70
(基準電圧: 3.3 V=255)

※ DC が正常値を外れるとプロテクションが働き、電源が切れます。

P1-2. PS1/PS2

電源電圧プロテクションの検出

IC57 の 155 ピン (PS1_PRT) / 156 ピン (PS2_PRT) の電圧が表示されます。

検出電圧

PS1: ACBL、AC12、AC5、±7、+3.3s

PS2: VP、+5T、+5A、+3.3s、-5VA

正常値

PS1: 33 ~ 128

PS2: 30 ~ 113 (±5VA: オン)

99 ~ 181 (±5VA: オフ)

(基準電圧: 3.3 V=255)

※ PS1 または PS2 が正常値を外れるとプロテクションが働き、電源が切れます。

P1-3. TM

Temperature of the heatsink is detected.
 The voltage at 159 pin (TMH1)/158 pin (THM2, U, C models) of IC57 is displayed.
 Normal value: 42 to 255
 (Reference voltage: 3.3 V=255)

* If TM becomes out of the normal value range, the protection function works to turn off the power.

```
P1-3
TM# 114
```

P1-4. OUTPUT LEVEL

Output level of speaker output is detected
 The voltage at 165 pin (AMP_OLV) of IC57 is displayed.
 (Reference voltage: 3.3 V=255)

```
P1-4
OUTLVL# 255
```

P1-5. LIMITER CONTROL

Power limiter control is detected.
 The voltage at 4 pin (AMP_LMT) of IC57 is displayed.
 (Reference voltage: 3.3 V=255)

```
P1-5
LMTCHT# 255
```

P1-6. L3 (J model)

Not for service

```
P1-6
L3# 1
```

P1-3. TM

ヒートシンク温度の検出
 IC57の159ピン (TMH1) の電圧が表示されま
 ず。
 正常値： 42 ~ 255
 (基準電圧：3.3 V=255)

※ TM が正常値を外れるとプロテクションが働き、電源が切れます。

P1-4. OUTPUT LEVEL

スピーカー出力の出力レベルの検出
 IC57の165ピン (AMP_OLV) の電圧が表示され
 ます。
 (基準電圧：3.3 V=255)

P1-5. LIMITER CONTROL

電源リミッター制御の検出
 IC57の4ピン (AMP_LMT) の電圧が表示され
 ます。
 (基準電圧：3.3 V=255)

P1-6. L3 (J model)

D端子のL3 (VIDEO P.C.B. CB461 ~ 463の11
 ピン) レベルの検出
 IC57の167ピン (L3_DET) の電圧が表示されま
 す。
 (基準電圧：5 V=255)

P1-7. KEY1/KEY2

Panel key is detected.

When the A/D conversion value of the panel key becomes out of the specified range, normal operation will not be available.

In that case, check the constant of voltage dividing resistor, solder condition, etc Refer to table.

- * When "P1-7. KEY1/KEY2" menu is selected, keys become non-operable due to detection of the values of all keys. However, it is possible to advance to the next sub-menu by pressing the "SCENE RADIO" (forward) key or "SCENE CD" (reverse) key on the remote control.

(Reference voltage. 3.3 V=255)

P1-7. KEY1/KEY2

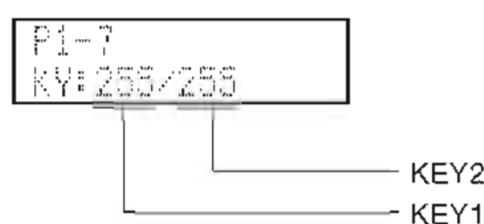
パネルキーの検出

パネルキーの A/D 値が規定範囲から外れると、正常な動きをしません。

下表をご覧になり、各キーの分圧抵抗の定数、ハンダ不良等の確認をしてください。

- ※ "P1-7. KEY1/KEY2" メニューにすると、全キーの値を検出するためキー操作はできなくなりますが、リモコンの "SCENE RADIO" (順送り) キーまたは "SCENE CD" (逆送り) キーを押すことにより、次のサブメニューに進めることができます。

(基準電圧：3.3 V=255)



Display / 表示	KEY1
0 - 11	RADIO (SCENE4)
12 - 32	CD (SCENE3)
33 - 54	TV (SCENE2)
55 - 75	BD/DVD (SCENE1)
76 - 96	-
97 - 119	-
120 - 142	INPUT >
143 - 163	INPUT <
182 - 197	⏻ (Power)
198 - 209	TONE CONTROL
255	Key off

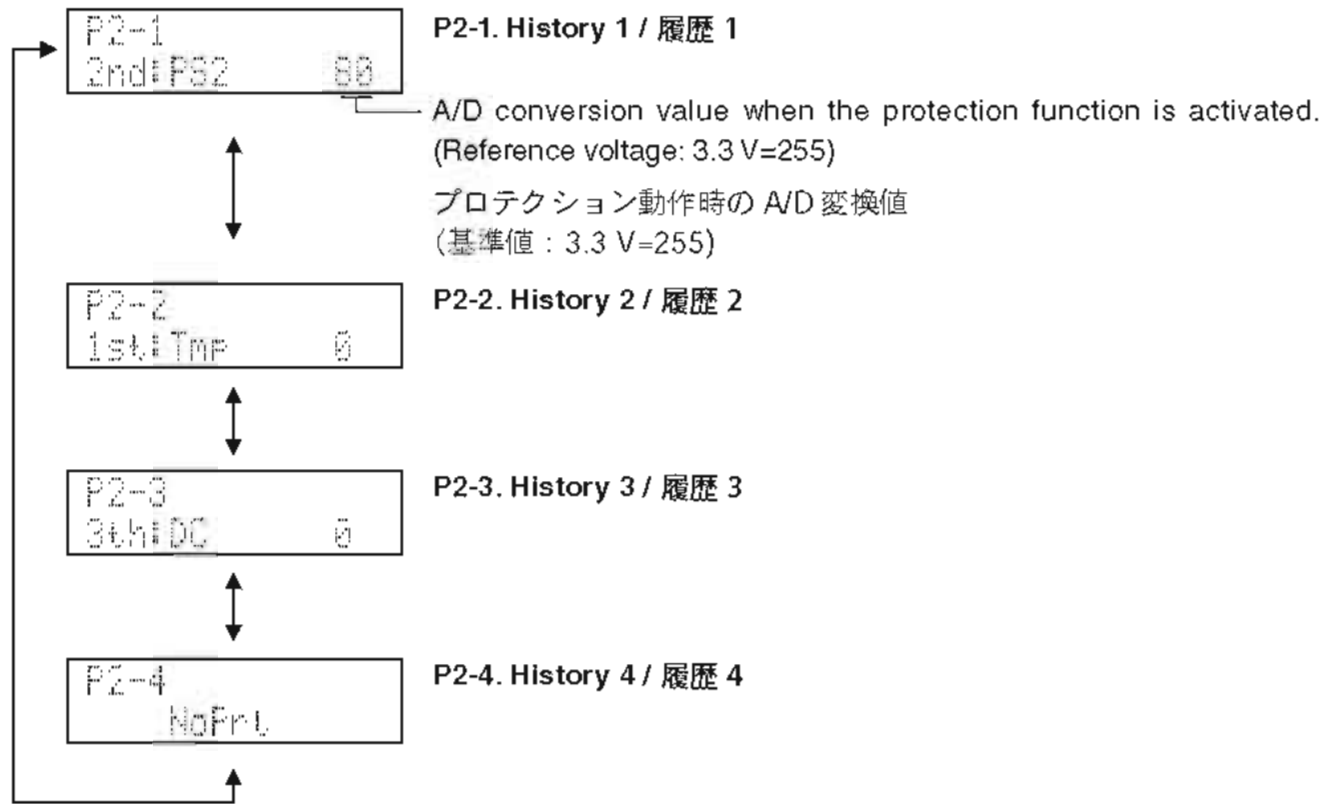
Display / 表示	KEY2
0 - 11	DIRECT
12 - 32	TUNING >>
33 - 54	TUNING <<
55 - 77	AM
78 - 99	FM
100 - 121	PRESET >
122 - 144	PRESET <
145 - 166	MEMORY
167 - 186	INFO
187 - 205	STRAIGHT
206 - 226	PROGRAM >
227 - 246	PROGRAM <
255	Key off

P2. PROTECTION HISTORY

This menu is used to display the history of protection function.

All history of protection function will be erased by pressing the "STRAIGHT" key

* Numeric values in the figure are given as reference only.



P2. PROTECTION HISTORY

プロテクション履歴が表示されます。

"STRAIGHT" キーを押すとプロテクション履歴はすべて消去されます。

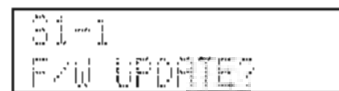
※ 図中の数値は参考例です。

S1. F/W UPDATE

Not for service.

S1. F/W UPDATE

サービスでは使用しません。



S2. SET INFORMATION

The model name and destination of this unit are displayed.

S2. SET INFORMATION

本機のモデル名、仕向け先が表示されます。

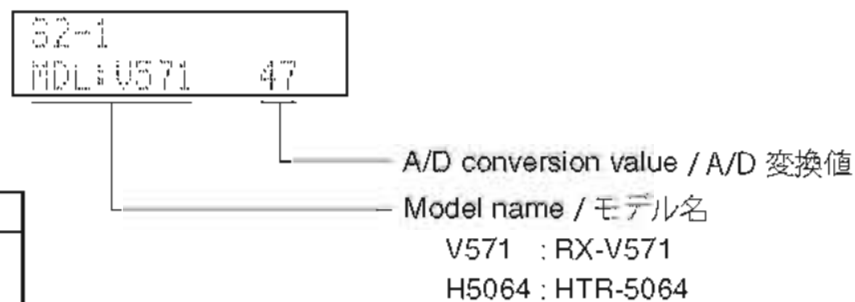
S2-1. MODEL

The model name of this unit is displayed.

S2-1. MODEL

本機のモデル名が表示されます。

Model name	RX-V571	HTR-5064
A/D conversion value (3.3 V=255)	34 - 58	59 - 81

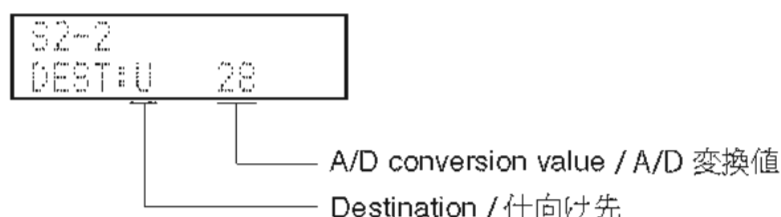


S2-2. DESTINATION

The destination of this unit is displayed.

S2-2. DESTINATION

本機の仕向け先が表示されます。



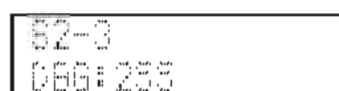
Destination	J	U	C	R	T	K	A	B, G, F	L
A/D conversion value (3.3 V=255)	0 - 12	13 - 39	40 - 67	68 - 92	93 - 115	116 - 140	141 - 169	199 - 221	222 - 244

S2-3. DEBUG

Not for service.

S2-3. DEBUG

サービスでは使用しません。

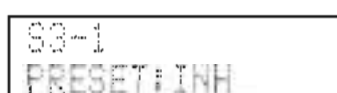


S3. FACTORY PRESET

This menu is used to reserve/inhibit initialization of the back-up IC (EEPROM: IC55 on DIGITAL P.C.B.).

S3. FACTORY PRESET

バックアップ IC (EEPROM : DIGITAL P.C.B. の IC55) の初期化を予約/禁止します。



S3-1. PRESET INHIBIT (Initialization inhibited) / **PRESET INHIBIT** (初期化禁止)

Initialization of the back-up IC is not executed. Select this sub-menu to protect the values set by the user.
バックアップ用 IC の初期化は行われません。ユーザーの設定値を保護するときは、こちらを選択してください。

S3-1. PRESET RESERVED (Initialization reserved) / **PRESET RESERVED** (初期化予約)

Initialization of the back-up IC is reserved. (Actual initialization is executed the next time the power is turned on.) To reset to the original factory settings or to reset the backup IC, select this sub-menu and press the "⏻" (Power) key to turn off the power.
ユーザーメモリーの初期化が予約されます。(実際に初期化されるのは、次回の電源投入時です。)工場出荷時やユーザーメモリーをリセットしたいときは、こちらを選択してから "⏻" (電源) キーを押して電源を切ってください。

CAUTION: Before setting to the PRESET RESERVED, write down the existing preset memory content of the tuner. (This is because setting to the PRESET RESERVED will cause the user memory content to be erased.)

注意: PRESET RESERVED を選んで初期化をする前に、チューナーのユーザーメモリーの内容を書き写してください。(初期化をすると、チューナーのユーザーメモリーの内容は消えてしまいます。)

S4. ROM VERSION/CHECKSUM

The firmware version and checksum values are displayed.

The checksum is obtained by adding the data at every 8-bit and expressing the result as a 4-figure hexadecimal notation.

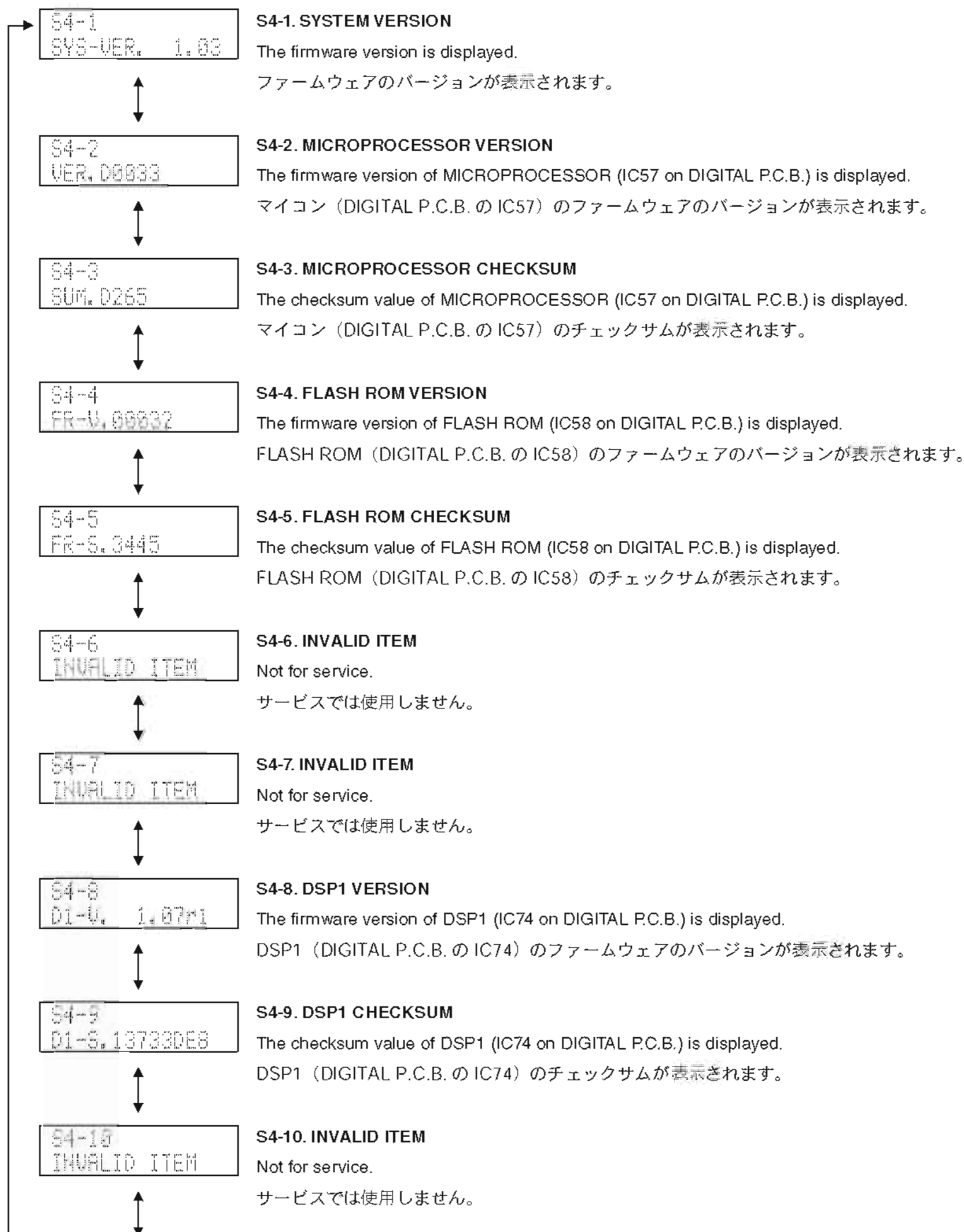
* Numeric values in the figure are given as reference only.

S4. ROM VERSION/CHECKSUM

ファームウェアのバージョン、チェックサムが表示されます。

チェックサムは、データを8ビットごとに加算していき、4桁の16進数で表記したものです。

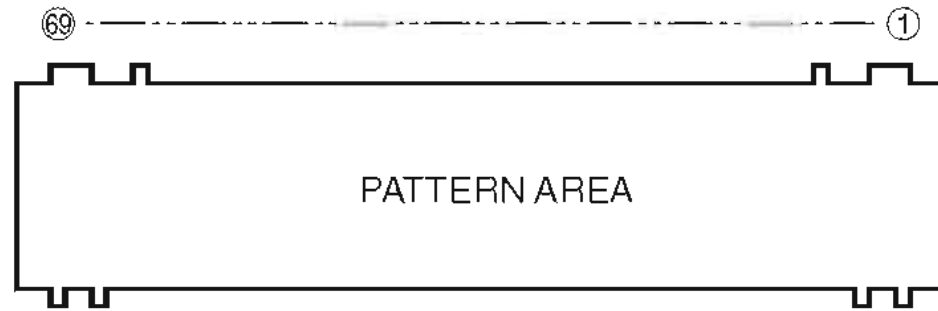
※ 図中の数値は参考例です。



S4-11 INVALID ITEM	S4-11. INVALID ITEM
Not for service. サービスでは使用しません。	
S4-12 G-U. 045047058	S4-12. GUI VERSION
The firmware version of GUI data is displayed. GUI データのファームウェアのバージョンが表示されます。	
S4-13 FPGA-G-U. 59	S4-13. FPGA GUI VERSION
The firmware version of GUI section in FPGA (IC34 on DIGITAL P.C.B.) is displayed. FPGA (DIGITAL P.C.B. の IC34) の GUI 部のファームウェアのバージョンが表示されます。	
S4-14 FPGA-I-U. 29	S4-14. FPGA IP VERSION
The firmware version of video processor section in FPGA (IC34 on DIGITAL P.C.B.) is displayed. FPGA (DIGITAL P.C.B. の IC34) の VIDEO プロセッサ部のファームウェアのバージョンが表示されます。	
S4-15 INVALID ITEM	S4-15. INVALID ITEM
Not for service. サービスでは使用しません。	
S4-16 INVALID ITEM	S4-16. INVALID ITEM
Not for service. サービスでは使用しません。	
S4-17 INVALID ITEM	S4-17. INVALID ITEM
Not for service. サービスでは使用しません。	
S4-18 U. 20110227FLAS	S4-18. USB IPLVERSION
The firmware version of USB host controller (IC46 on DIGITAL P.C.B.) is displayed. USB ホストコントローラー (DIGITAL P.C.B. の IC46) のファームウェアのバージョンが表示されます。	

■ DISPLAY DATA

● V4001 : 18-MT-11GNK (OPERATION P.C.B.)



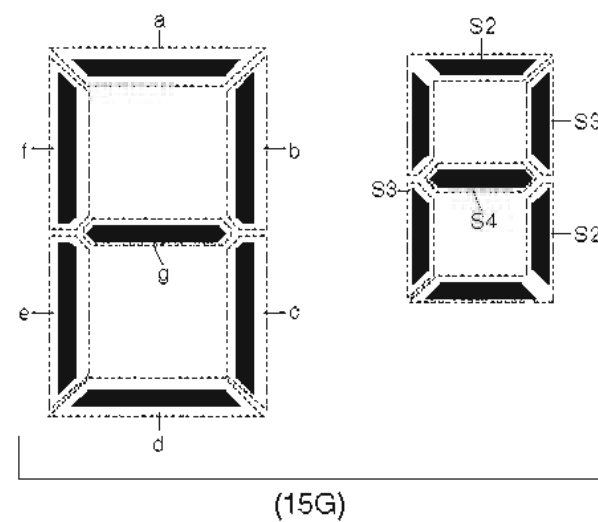
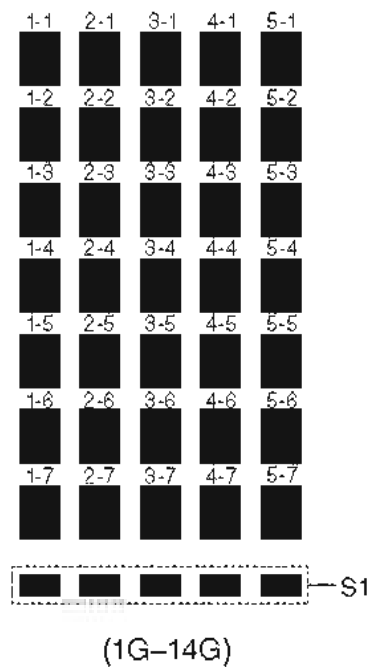
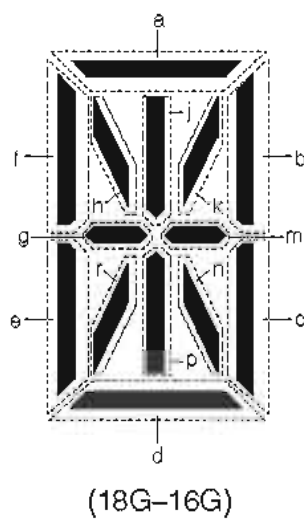
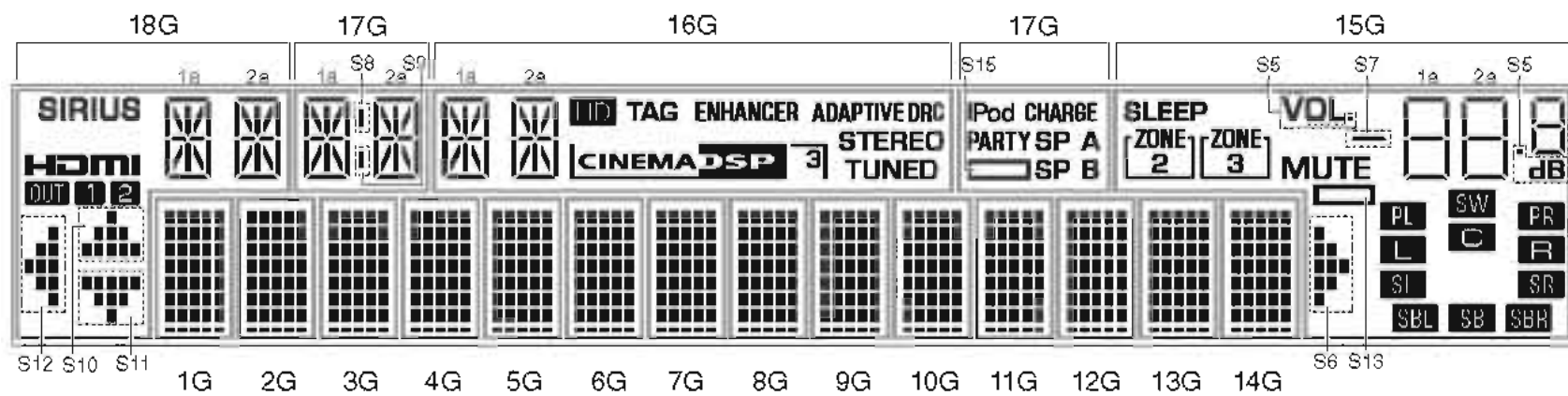
● PIN CONNECTION

Pin No.	69	68	67	66	65	64	63	62	61	60	59	58	57	56	55	54	53	52	51	50	49	48	47	46	45	44	43	42	41	40	39	38	37	36	35
Connection	F2	NX	NP	NP	P1	P2	P3	P4	P5	P6	P7	P8	P9	P10	P11	P12	P13	P14	P15	P16	P17	P18	P19	P20	P21	P22	P23	P24	P25	P26	P27	P28	P29	P30	P31

Pin No.	34	33	32	31	30	29	28	27	26	25	24	23	22	21	20	19	18	17	16	15	14	13	12	11	10	9	8	7	6	5	4	3	2	1
Connection	P32	P33	P34	P35	P36	NX	NX	NX	NX	NX	NX	NX	18G	17G	16G	15G	14G	13G	12G	11G	10G	9G	8G	7G	6G	5G	4G	3G	2G	1G	NP	NP	NX	F1

Note : 1) F1, F2 Filament pin 2) NP No pin 3) NX No extend pin 4) 1G-18G Grid pin

● GRID ASSIGNMENT



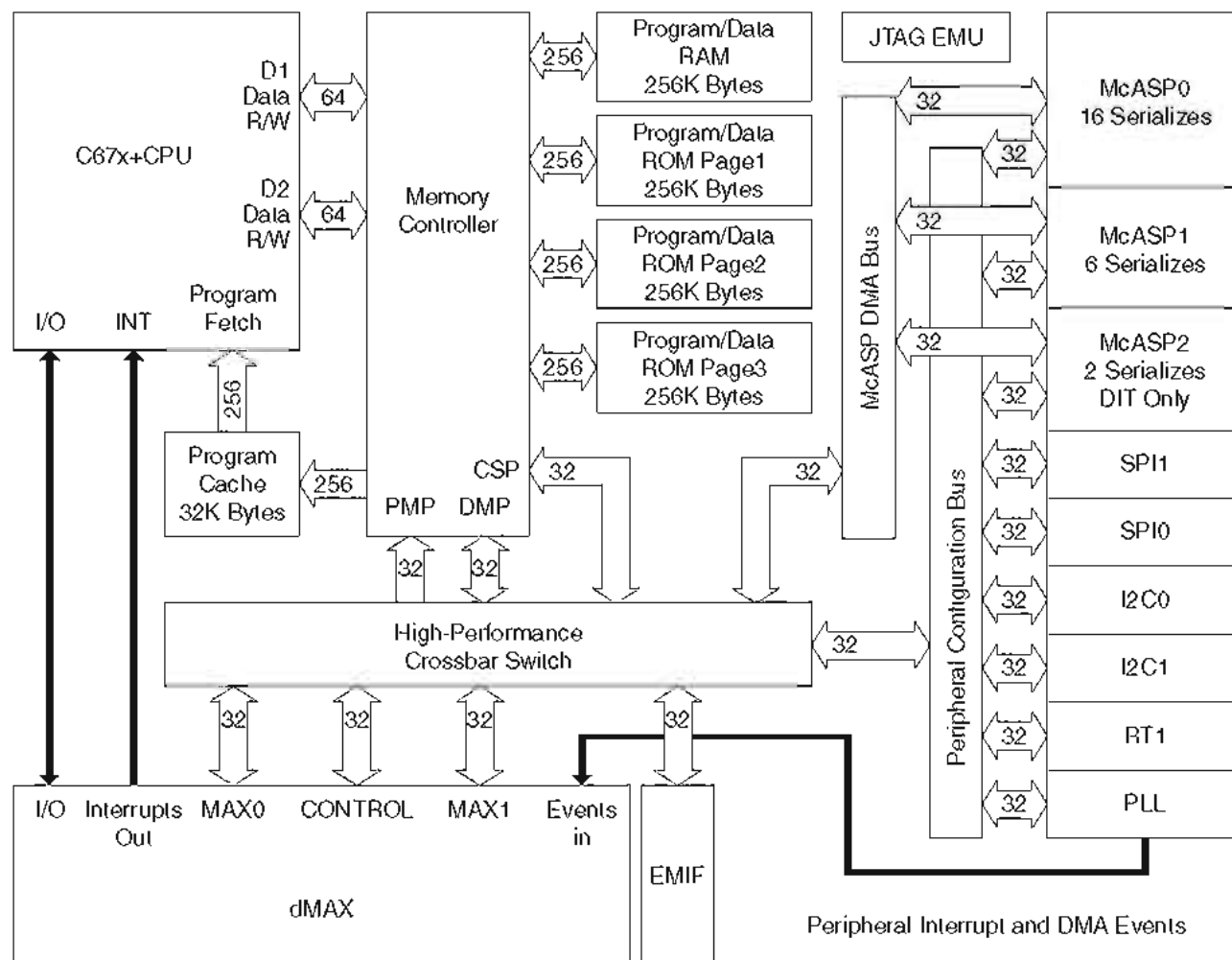
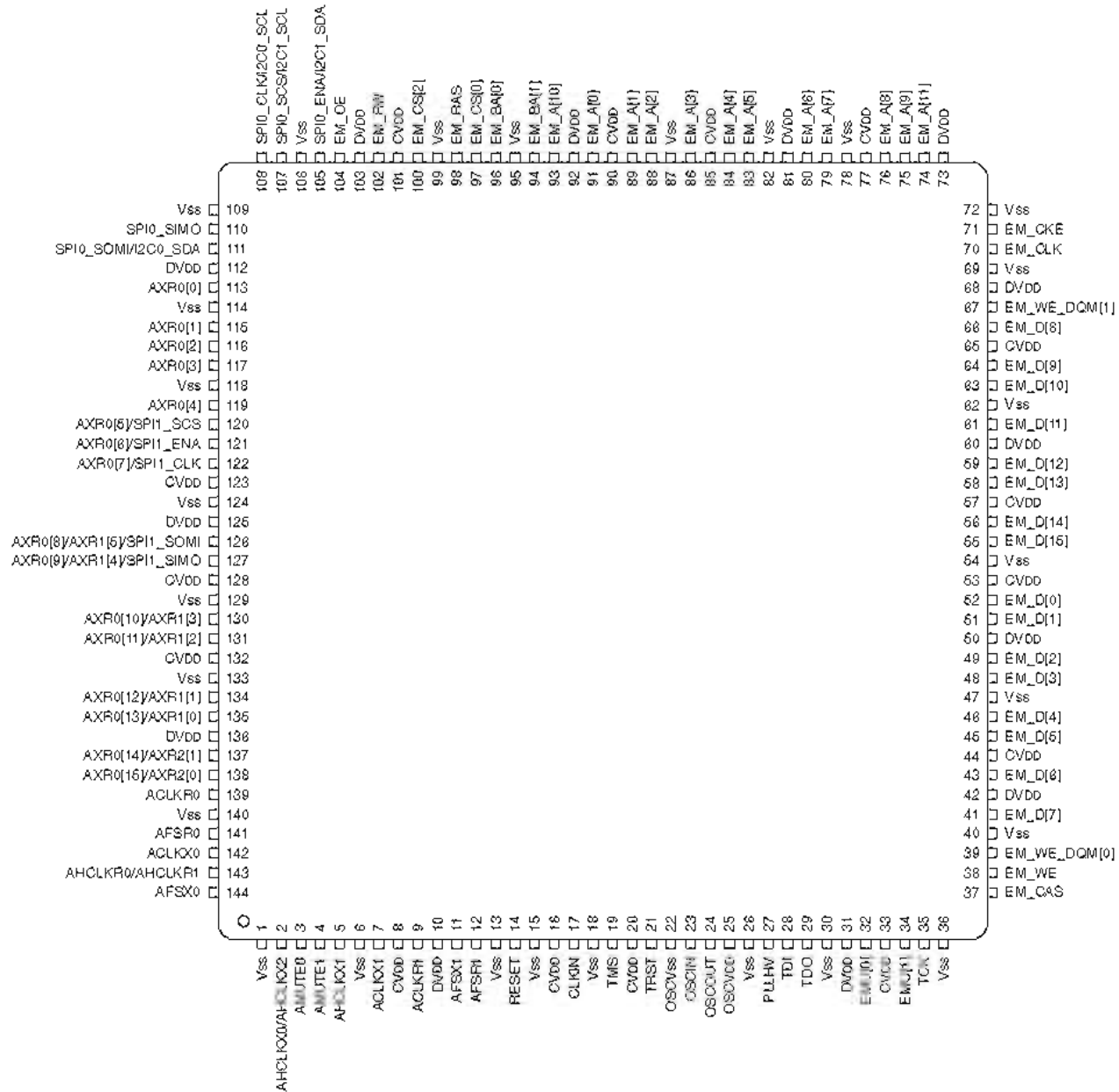
● ANODE CONNECTION

	18G	17G	16G	15G	1G-14G
P1	1a	1a	1a	S5	1-1
P2	1h	1h	1h	S7	2-1
P3	1j	1j	1j	1d	3-1
P4	1k	1k	1k	2d	4-1
P5	1b	1b	1b	S2	5-1
P6	1f	1f	1f	1e	1-2
P7	1m	1m	1m	2e	2-2
P8	1g	1g	1g	S3	3-2
P9	1c	1c	1c	1c	4-2
P10	1e	1e	1e	2c	5-2
P11	1r	1r	1r	S4	1-3
P12	1p	1p	1p	1g	2-3
P13	1n	1n	1n	2g	3-3
P14	1d	1d	1d	1f	4-3
P15	2a	2a	2a	2f	5-3
P16	2h	2h	2h	1b	1-4
P17	2j	2j	2j	2b	2-4
P18	2k	2k	2k	1a	3-4
P19	2b	2b	2b	2a	4-4
P20	2f	2f	2f	PL	5-4
P21	2m	2m	2m	SW	1-5
P22	2g	2g	2g	PR	2-5
P23	2c	2c	2c	L	3-5
P24	2e	2e	2e	C	4-5
P25	2r	2r	2r	R	5-5
P26	2p	2p	2p	SL	1-6
P27	2n	2n	2n	BR	2-6
P28	2d	2d	2d	GBL	3-6
P29	SIRIUS	S8	HD	BB	4-6
P30	OUT	S9	TAG	BBR	5-6
P31	HDMI	iPod CHARGE	CINEMA DSP	S6	1-7
P32	1	SP B	3	S13	2-7
P33	2	S15	STEREO	MUTE	3-7
P34	S12	SP A	TUNED	ZONE 2	4-7
P35	S10	PARTY	ENHANCER	ZONE 3	5-7
P36	S11	—	ADAPTIVE DRC	SLEEP	S1

IC DATA

IC74: D70YE101BRFP266 (DIGITAL P.C.B.)
Decoder/Post processor

* No replacement part available. / サービス部品供給なし



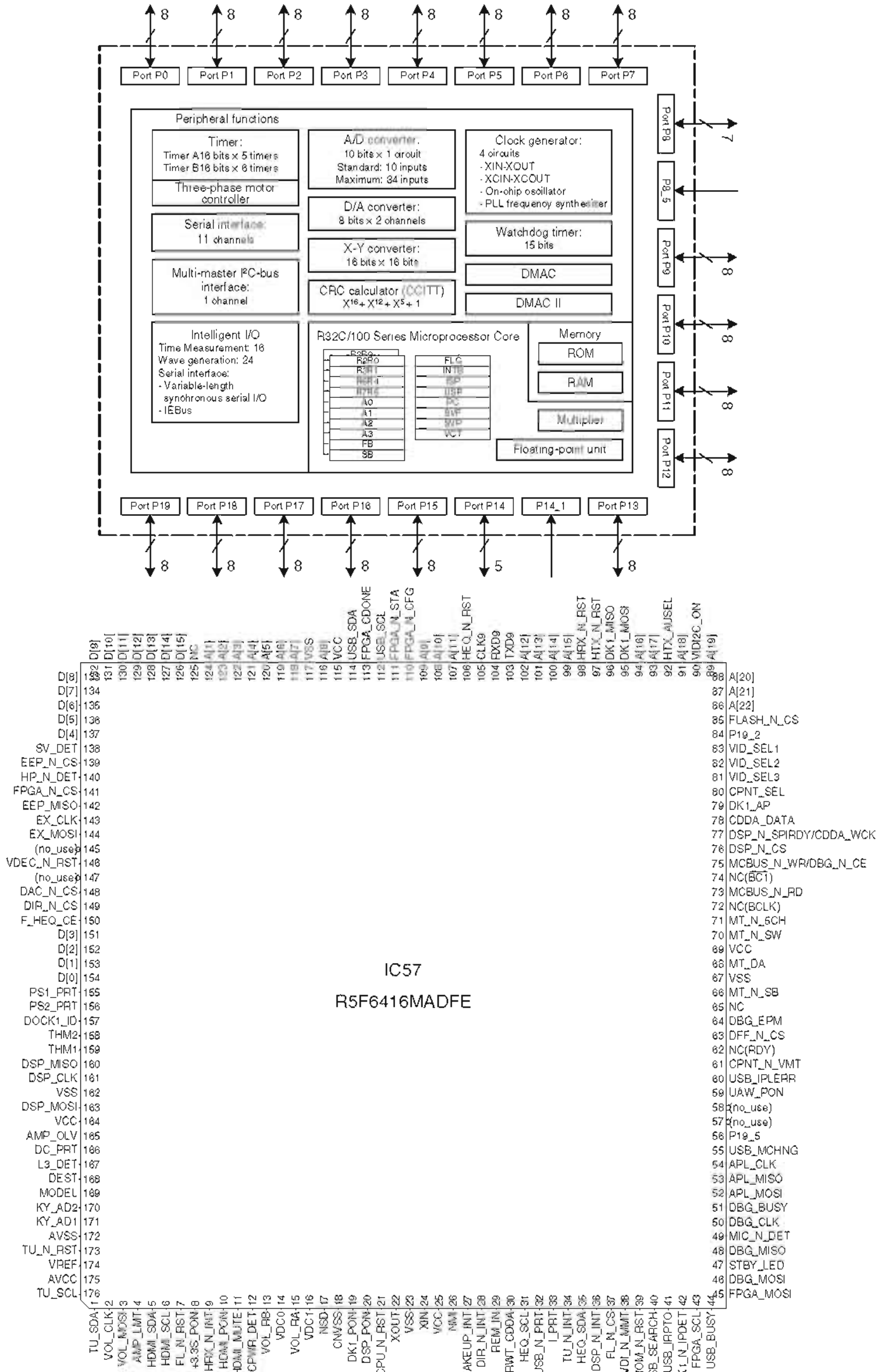
No.	Function Name (P.C.B.)	I/O	Detail of Function
1	VSS		
2	AHCLKX0/AHCLKX2	IO	McASP0 and McASP2 transmit master clock
3	AMUTE0	IO	McASP0 mute output
4	AMUTE1	IO	McASP1 mute output
5	AHCLKX1	IO	McASP1 transmit master clock
6	VSS		
7	ACLKX1	IO	McASP1 transmit bit clock
8	CVDD		
9	ACLKR1	IO	McASP1 receive bit clock
10	DVDD		
11	AFSX1	IO	McASP1 transmit frame Sync (L/R clock)
12	AFSR1	IO	McASP1 receive frame Sync (L/R clock)
13	VSS		
14	RESET	IO	Device reset pin
15	VSS		
16	CVDD		
17	CLKIN	IO	Alternate clock input (3.3-V LVCMOS input)
18	VSS		
19	TMS	IO	Test mode select
20	CVDD		
21	TRST	IO	Test reset
22	OSCVSS	PWR	Oscillator Vss tap point (for filter only)
23	OSCIN	IO	1.2-V oscillator input
24	NC	O	
25	OSCVDD	PWR	Oscillator 1.2-V Vpp tap point (for filter only)
26	VSS		
27	PLLHV	PWR	PLL 3.3-V supply input (requires external filter)
28	TDI	IO	Test data in
29	TDO	OZ	Test data out
30	VSS		
31	DVDD		
32	EMU[0]	IO	Emulation pin 0
33	CVDD		
34	EMU[1]	IO	Emulation pin 1
35	TCK	IO	Test clock
36	Ground(Vss)		
37	EM_CAS	O	SDRAM column address strobe
38	EM_WE	O	SDRAM write enable
39	EM_WE_DQM[0]	O	Write enable or byte enable for EM_D [7:0]
40	VSS		
41	EM_D[7]	IO	EMIF data bus [lower 16-bits]
42	DVDD		
43	EM_D[6]	IO	EMIF data bus [lower 16-bits]
44	CVDD		
45	EM_D[5]	IO	EMIF data bus [lower 16-bits]
46	EM_D[4]	IO	EMIF data bus [lower 16-bits]
47	VSS		
48	EM_D[3]	IO	EMIF data bus [lower 16-bits]
49	EM_D[2]	IO	EMIF data bus [lower 16-bits]
50	DVDD		

No.	Function Name (P.C.B.)	I/O	Detail of Function
51	EM_D[1]	IO	EMIF data bus [lower 16-bits]
52	EM_D[0]	IO	EMIF data bus [lower 16-bits]
53	CVDD		
54	VSS		
55	EM_D[15]	IO	EMIF data bus [lower 16-bits]
56	EM_D[14]	IO	EMIF data bus [lower 16-Bits]
57	CVDD		
58	EM_D[13]	IO	EMIF data bus [lower 16-Bits]
59	EM_D[12]	IO	EMIF data bus [lower 16-Bits]
60	DVDD		
61	EM_D[11]	IO	EMIF data bus [lower 16-Bits]
62	VSS		
63	EM_D[10]	IO	EMIF data bus [lower 16-Bits]
64	EM_D[9]	IO	EMIF data bus [lower 16-Bits]
65	CVDD		
66	EM_D[8]	IO	EMIF data bus [lower 16-bits]
67	EM_WE_DQM[1]	O	Write enable or byte enable for EM_D [15:8]
68	DVDD		
69	VSS		
70	EM_CLK	O	SDRAM clock
71	EM_CKE	O	SDRAM clock enable
72	VSS		
73	DVDD		
74	EM_A[11]	O	EMIF address bus
75	EM_A[9]	O	EMIF address bus
76	EM_A[8]	O	EMIF address bus
77	CVDD		
78	VSS		
79	EM_A[7]	O	EMIF address bus
80	EM_A[6]	O	EMIF address bus
81	DVDD		
82	VSS		
83	EM_A[5]	O	EMIF address bus
84	EM_A[4]	O	EMIF address bus
85	CVDD		
86	EM_A[3]	O	EMIF address bus
87	VSS		
88	EM_A[2]	O	EMIF address bus
89	EM_A[1]	O	EMIF address bus
90	CVDD		
91	EM_A[0]	O	EMIF address bus
92	DVDD		
93	EM_A[10]	O	EMIF address bus
94	EM_BA[1]	O	SDRAM bank address and asynchronous memory Low-Order address
95	VSS		
96	EM_BA[0]	O	SDRAM bank address and asynchronous memory Low-Order address
97	EM_CS[0]	O	SDRAM chip select
98	EM_RAS	O	SDRAM row address strobe
99	VSS		
100	EM_CS[2]	O	Asynchronous memory chip select

No.	Function Name (P.C.B.)	I/O	Detail of Function
101	CVDD		
102	NC	O	Asynchronous memory read/not write
103	DVDD		
104	EM_OE	O	SDRAM output enable
105	SPI0_ENA/I2C1_SDA	IO	SPI0 enable (ready) or I2c1 serial data
106	VSS		
107	SPI0_ENA/I2C1_SCL	IO	SPI0 enable (ready) or I2c1 serial clock
108	SPI0_CLK/I2C0_SCL	IO	SPI0 serial clock or I2c0 serial clock
109	VSS		
110	SPIO_SIMO	IO	SPI0 data pin slave in master out
111	SPIO_SOMI/I2C0_SDA	IO	SPI0 data pin slave out master in or I2C0 serial data
112	DVDD		
113	AXR0[0]	IO	McASP0 serial data 0
114	VSS		
115	AXR0[1]	IO	McASP0 serial data 1
116	AXR0[2]	IO	McASP0 serial data 2
117	AXR0[3]	IO	McASP0 serial data 3
118	VSS		
119	AXR0[4]	IO	McASP0 serial data 4
120	SPI1_SCS	IO	McASP0 serial data 5 or SPI1 slave chip select
121	SPI1_ENA	IO	McASP0 serial data 6 or SPI1 enable (ready)
122	SPI1_CLK	IO	McASP0 serial data 7 or SPI1 serial clock
123	CVDD		
124	VSS		
125	DVDD		
126	/SPI1_SOMI	IO	McASP0 serial data 8 or McASP1 serial data 5 or SPI1 data pin slave out master in
127	/SPI1_SIMO	IO	McASP0 serial data 9 or McASP1 serial data 4 or SPI1 data pin slave in master out
128	CVDD		
129	VSS		
130	AXR0[10]	IO	McASP0 serial data 10 or McASP1 serial data 3
131	AXR0[11]	IO	McASP0 serial data 11 or McASP1 serial data 2
132	CVDD		
133	VSS		
134	AXR0[12]	IO	McASP0 serial data 12 or McASP1 serial data 1
135	AXR0[13]	IO	McASP0 serial data 13 or McASP1 serial data 0
136	DVDD		
137	AXR0[14]	IO	McASP0 serial data 14 or McASP2 serial data 1
138	AXR0[15]	IO	McASP0 serial data 15 or McASP2 serial data 0
139	ACLKR0	IO	McASP0 receive bit clock
140	VSS		
141	AFSR0	IO	McASP0 receive frame Sync (L/R clock)
142	ACLKX0	IO	McASP0 transmit bit clock
143	AHCLKR0/AHCLKR1	IO	McASP0 and McASP1 receive master clock
144	AFSX0	IO	McASP0 transmit frame Sync (L/R clock)

IC57: R5F6416MADFE (DIGITAL P.C.B.)
Microprocessor

* No replacement part available. / サービス部品供給なし



IC57
R5F6416MADFE

Pin No.	Port Name	Function Name (P.C.B.)	I/O		Detail of Function
			POWER		
			ON	OFF	
1	SRXD4/SDA4/TXD4/ANEX1/P9_6	TU_SDA	I/O	O	Tuner I2C data
2	CLK4/ANEX0/P9_5	VOL_CLK	O	O	Volume/Selector communication clock
3	N_CTS4/N_N_RTS4/N_SS4/TB4IN/DA1/P9_4	VOL_MOSI	O	O	Volume/Selector communication data
4	N_CTS3/N_N_RTS3/N_SS3/TB3IN/DA0/P9_3	AMP_LMT	O	I	Limiter control
5	IEOUT/ISTXD2/OUTC2_0/SRXD3/SDA3/TXD3/TB2IN/P9_2	HDMI_SDA	I/O	O	HDMI and VDec 400k I2C data
6	IEIN/ISRXD2/STXD3/SCL3/RXD3/TB1IN/P9_1	HDMI_SCL	O	O	HDMI and VDec 400k I2C clock
7	CLK3/TB0IN/P9_0	FL_N_RST	O	O	FLD reset
8	P19_7	+3.3S_PON	O	O	+3.3S power supply control
9	N_INT8/P14_6	HRX_N_INT	I	O	HDMI RX interrupt
10	P19_6	HDMI_PON	O	O	HDMI power supply control (necessary for movement of DSP, VDec)
11	N_INT7/P14_5	HDMI_MUTE	I	O	HDMI mute
12	N_INT6/P14_4	ACPWR_DET	I	I	AC power detection
13	P14_3	VOL_RB	I	I	Volume B
14	VDC0	VDC0			---
15	P14_1 (for exclusive use of the input)	VOL_RA	I	I	Volume A
16	VDC1	VDC1			---
17	NSD	NSD			Debugger
18	CNVSS	CNVSS			---
19	XCIN/P8_7	DK1_PON	O	O	Dock1 power supply control
20	XCOU/P8_6	DSP_PON	O	O	DSP power supply control
21	RESET	MCPU_N_RST			---
22	XOUT	XOUT			---
23	VSS	VSS			---
24	XIN	XIN			---
25	VCC	VCC			---
26	NMI/P8_5	NMI			---
27	N_INT2/P8_4	WAKEUP_INT	I	O	Power switch, Dock RX detection (sleep return)
28	N_INT1/P8_3	DIR_N_INT	I	O	DIR interrupt
29	N_INT0/P8_2	REM_IN	I	O	Remote control pulse input
30	UD0B/UD1B/IO1_5/N_RTS5/N_CTS5/N_SS5/U/TA4IN/P8_1	RWT_CDDA	O	O	CDDA rewriting route select
31	UD0A/UD1A/RXD5/SCL5/STXD5/U/TA4OUT/P8_0	HEQ_SCL	O	O	HDMI switch 100k I2C clock
32	P18_1	USB_N_PRT	O	O	No used
33	P18_0	I_PRT	I	O	Current protection
34	UD0B/UD1B/IO1_4/CLK5/TA3IN/P7_7	TU_N_INT	I	O	Tuner interrupt
35	UD0A/UD1A/IO1_3/N_RTS8/N_CTS8/TXD5/SDA5/SRXD5/TA3OUT/P7_6	HEQ_SDA	I/O	O	HDMI switch 100k I2C data
36	IO1_2/RXD8W/TA2IN/P7_5	DSP_N_INT	I	O	DSP interrupt
37	IO1_1/CLK8W/TA2OUT/P7_4	FL_N_CS	O	O	FLD chip select
38	P17_7	VID_N_MMT	O	O	Monitor output mute
39	P17_6	FROM_N_RST	O	O	Flash reset
40	P17_5	USB_SEARCH	I	O	State of USB search
41	P17_4	USB_IRPTO	I	O	USB interrupt (general-purpose port)
42	IO1_0/TXD8/N_SS2/N_RTS2/N_CTS2N/TA1IN/P7_3	DK1_N_IPDET	I	O	Dock1 iPod detection
43	CLK2N/TA1OUT/P7_2	FPGA_SCL	O	O	FPGA clock (at Boot)

Pin No.	Port Name	Function Name (P.C.B.)	I/O		Detail of Function
			POWER		
			ON	OFF	
44	MSCL/IEIN/ISRXD2/OUTC2_2/ IIO1_7/STXD2/SCL2/RXD2/TA0IN/ TB5IN/P7_1	USB_BUSY	I	O	USB busy
45	TA0OUT/TXD2/SDA2/SRXD2/ IIO1_6/OUTC2_0/ISTXD2/IEOUT/ MSDA/P7_0	FPGA_MOSI	O	O	FPGA transmission data (at Boot)
46	TXD1/SDA1/SRXD1/P6_7	DBG_MOSI	O	O	E8a
47	P14_7	STBY_LED	O	O	Standby LED control
48	RXD1/SCL1/STXD1/P6_6	DBG_MISO	I	O	E8a
49	P11_7	MIC_N_DET	I	O	Microphone detection
50	CLK1/P6_5	DBG_CLK	I	O	E8a
51	N_CTS1/N_RTS1/N_SS1/ OUTC2_1/ISCLK2/P6_4	DBG_BUSY	O	O	E8a
52	TXD0/SDA0/SRXD0/P6_3	APL_MOSI	O	O	Apple/USB SPI transmission data
53	TB2IN/RXD0/SCL0/STXD0/P6_2	APL_MISO	I	O	Apple/USB SPI reception data
54	TB1IN/CLK0/P6_1	APL_CLK	O	O	Apple/USB SPI communication clock
55	TB0IN/N_CTS0/N_RTS0/N_SS0/ P6_0	USB_MCHNG	I	O	USB music number change
56	P19_5	P19_5	O	O	Spare
57	D31/OUTC2_7/P13_7	(no_use)	O	O	Unconnected
58	D30/OUTC2_1/ISCLK2/P13_6	(no_use)	O	O	Unconnected
59	D29/OUTC2_2/ISRXD2/IEIN/ P13_5	UAW_PON	O	O	UAW power supply control
60	D28/OUTC2_0/ISTXD2/IEOUT/ P13_4	USB_IPLERR	I	O	USB IPL Error
61	P19_4	CPNT_N_VMT	O	O	Component output mute
62	RDY/CS3/N_CTS7/N_RTS7/P5_7	NC(RDY)	B	O	External bus
63	ALE/CS2/RXD7/P5_6	DFF_N_CS	B	O	External bus
64	HOLD/CLK7/P5_5	DBG_EPM	I	I	E8a
65	HLDA/CS1/TXD7/P5_4	NC			Unconnected (impossible of I/O port use)
66	D27/OUTC2_3/P13_3	MT_N_SB	O	O	Mute SB/BA (Pre-out/Main amp input)
67	VSS	VSS			---
68	D26/OUTC2_6/P13_2	MT_DA	O	O	Mute digital audio
69	VCC	VCC			---
70	D25/OUTC2_5/P13_1	MT_N_SW	O	O	Mute subwoofer (Pre-out)
71	D24/OUTC2_4/P13_0	MT_N_5CH	O	O	Mute 5ch (L, C, R, SRL, SRR pre-out/Main amp input)
72	CLKOUT/BCLK/R5_3	NC(BCLK)	B	O	External bus
73	RD/P5_2	MCBUS_N_RD	B	O	External bus
74	WR1/BC1/P5_1	NC(BC1)	B	O	External bus
75	WR0/WR/P5_0	MCBUS_N_WR/DBG_ N_CE	B	I	External bus
76	D23/P12_7	DSP_N_CS	O	O	DSP chip select
77	D22/P12_6	DSP_N_SPIRDY/CDDA_ WCK	I	O	DSP SPI ready
78	D21/P12_5	CDDA_DATA	I	O	CDDA rewriting data input
79	P19_3	DK1_AP	I	I	iPod accessory power 1
80	P17_3	CPNT_SEL	O	O	Component input select (open drain)
81	P17_2	VID_SEL3	O	O	CVBS input select (open drain)
82	P17_1	VID_SEL2	O	O	CVBS input select (open drain)
83	P17_0	VID_SEL1	O	O	CVBS input select (open drain)
84	P19_2	P19_2	O	O	Spare
85	CS0/A23/TXD6/SDA6/SRXD6/ P4_7	FLASH_N_CS	B	O	External bus

Pin No.	Port Name	Function Name (P.C.B.)	I/O		Detail of Function
			POWER		
			ON	OFF	
86	CS1/A22/RXD6/SCL6/STXD6/P4_6	A[22]	B	O	External bus
87	CS2/A21/CLK6/P4_5	A[21]	B	O	External bus
88	CS3/A20/N_CTS6/N_RTS6/N_SS6/P4_4	A[20]	B	O	External bus
89	A19/TXD3/SDA3/SRXD3/OUTC2_0/ISTXD2/IEOUT/P4_3	A[19]	B	O	External bus
90	P11_6	VIDI2C_ON	O	O	I2C line switch to video device
91	A18/RXD3/SCL3/STXD3/SRXD2/IEIN/P4_2	A[18]	B	O	External bus
92	P11_5	HTX_AUSEL	O	O	HDMI TX sound select
93	A17/CLK3/P4_1	A[17]	B	O	External bus
94	A16/N_CTS3/N_RTS3/N_SS3/P4_0	A[16]	B	O	External bus
95	P16_7/TXD10	DK1_MOSI	O	O	Dock1 transmission data (/Debug)
96	P16_6/RXD10	DK1_MISO	I	I	Dock1 reception data (/Debug)
97	P16_5/CLK10	HTX_N_RST	O	O	HDMI TX reset
98	P16_4/N_CTS10/N_RTS10	HRX_N_RST	O	O	HDMI RX reset
99	A15/[A15/D15]/TA4IN/U/P3_7	A[15]	B	O	External bus
100	A14/[A14/D14]/TA4OUT/U/P3_6	A[14]	B	O	External bus
101	A13/[A13/D13]/TA2IN/W/P3_5	A[13]	B	O	External bus
102	A12/[A12/D12]/TA2OUT/W/P3_4	A[12]	B	O	External bus
103	P16_3/TXD9	TXD9	O	O	Spare
104	P16_2/RXD9	RXD9	O	O	Spare
105	P16_1/CLK9	CLK9	O	O	Spare
106	P16_0/N_CTS9/N_RTS9	HEQ_N_RST	O	O	HDMI switcher reset
107	A11/[A11/D11]/TA1IN/V/P3_3	A[11]	B	O	External bus
108	A10/[A10/D10]/TA1OUT/V/P3_2	A[10]	B	O	External bus
109	A9/[A9/D9]/TA3OUT/UD0B/UD1B/P3_1	A[9]	B	O	External bus
110	D20/P12_4	FPGA_N_CFG	O	O	FPGA nCONF
111	D19/N_CTS6/N_RTS6/N_SS6/P12_3	FPGA_N_STA	I	I	FPGA nSTATUS
112	D18/RXD6/SCL6/STXD6/P12_2	USB_SCL	O	O	USB I2C clock
113	D17/CLK6/P12_1	FPGA_CDONE	I	I	FPGA config done
114	D16/TXD6/SDA6/SRXD6/P12_0	USB_SDA	I/O	O	USB I2C data
115	VCC	VCC			---
116	A8/[A8/D8]/TA0OUT/UD0A/UD1A/P3_0	A[8]	B	O	External bus
117	VSS	VSS			---
118	A7/[A7/D7]/AN2_7/P2_7/TXD10	A[7]	B	O	External bus
119	A6/[A6/D6]/AN2_6/P2_6/RXD10	A[6]	B	O	External bus
120	A5/[A5/D5]/AN2_5/P2_5/CLK10	A[5]	B	O	External bus
121	A4/[A4/D4]/AN2_4/P2_4/N_CTS10/N_RTS10	A[4]	B	O	External bus
122	A3/[A3/D3]/AN2_3/P2_3/TXD9	A[3]	B	O	External bus
123	A2/[A2/D2]/AN2_2/P2_2/RXD9	A[2]	B	O	External bus
124	A1/[A1/D1]/BC2/[BC2/D1]/AN2_1/P2_1/CLK9	A[1]	B	O	External bus
125	A0/[A0/D0]/BC0/[BC0/D0]/AN2_0/P2_0/N_CTS9/N_RTS9	NC			Unconnected (impossible of I/O port use)
126	D15/N_INT5/IIO0_7/IIO1_7/P1_7	D[15]	B	I	External bus
127	D14/N_INT4/IIO0_6/IIO1_6/P1_6	D[14]	B	I	External bus
128	D13/N_INT3/IIO0_5/IIO1_5/P1_5	D[13]	B	I	External bus

Pin No.	Port Name	Function Name (P.C.B.)	I/O		Detail of Function
			POWER		
			ON	OFF	
129	D12/IIO0_4/IIO1_4/P1_4	D[12]	B	I	External bus
130	D11/IIO0_3/IIO1_3/P1_3	D[11]	B	I	External bus
131	D10/IIO0_2/IIO1_2/P1_2	D[10]	B	I	External bus
132	D9/IIO0_1/IIO1_1/P1_1	D[9]	B	I	External bus
133	IIO0_0/IIO1_0/D8/P1_0	D[8]	B	I	External bus
134	AN0_7/D7/P0_7	D[7]	B	I	External bus
135	AN0_6/D6/P0_6	D[6]	B	I	External bus
136	AN0_5/D5/P0_5	D[5]	B	I	External bus
137	AN0_4/D4/P0_4	D[4]	B	I	External bus
138	P19_1	SV_DET	I	I	S-video detect
139	WR3/BC3/P11_4	EEP_N_CS	O	O	EEPROM chip select
140	P19_0	HP_N_DET	I	O	Headphone detection
141	IIO1_3/N_RTS8/N_CTS8/WR2/CS3/P11_3	FPGA_N_CS	B	O	External bus
142	IIO1_2/RXD8/CS2/P11_2	EEP_MISO	I	O	EEPROM reception data
143	IIO1_1/CLK8/CS1/P11_1	EX_CLK	O	O	FLD/EEPROM communication clock
144	IIO1_0/TXD8/CS0/P11_0	EX_MOSI	O	O	FLD/EEPROM transmission data
145	P18_7	(no use)	O	O	Unconnected
146	P18_6	VDEC_N_RST	O	O	Video decoder reset
147	P18_5	(no use)	O	O	Unconnected
148	P18_4	DAC_N_CS	O	O	DAC chip select
149	P18_3	DIR_N_CS	O	O	DIR chip select
150	P18_2	F_HEQ_CE	O	O	Front HDMI EQ chip enable
151	AN0_3/D3/P0_3	D[3]	B	I	External bus
152	AN0_2/D2/P0_2	D[2]	B	I	External bus
153	AN0_1/D1/P0_1	D[1]	B	I	External bus
154	AN0_0/D0/P0_0	D[0]	B	I	External bus
155	IIO0_7/N_RTS6/N_CTS6/N_SS6/AN15_7/P15_7	PS1_PRT	I	I	Power supply protection 1
156	IIO0_6/CLK6/AN15_6/P15_6	PS2_PRT	I	I	Power supply protection 2
157	IIO0_5/RXD6/SCL6/STXD6/AN15_5/P15_5	DOCK1_ID	I	I	Dock1 ID detection
158	IIO0_4/TXD6/SDA6/SRXD6/AN15_4/P15_4	THM2	I	O	Temperature detection 2
159	IIO0_3/N_RTS7/N_CTS7/AN15_3/P15_3	THM1	I	O	Temperature detection 1
160	IIO0_2/RXD7/AN15_2/P15_2	DSP_MISO	I	I	DSP/DIR/DAC reception data
161	IIO0_1/CLK7/AN15_1/P15_1	DSP_CLK	O	O	DSP/DIR/DAC communication clock
162	VSS	VSS			---
163	IIO0_0/TXD7/AN15_0/P15_0	DSP_MOSI	O	O	DSP/DIR/DAC transmission data
164	VCC	VCC			---
165	KI3/AN_7/P10_7	AMP_OLV	I	I	Amplifier output level detection
166	KI2/AN_6/P10_6	DC_PRT	I	I	DC protection
167	KI1/AN_5/P10_5	L3_DET	I	I	D terminal L3 detection
168	KI0/AN_4/P10_4	DEST	I	O	Destination discrimination
169	AN_3/P10_3	MODEL	I	O	Model discriminate
170	AN_2/P10_2	KY_AD2	I	O	Key 2
171	AN_1/P10_1	KY_AD1	I	O	Key 1
172	AVSS	AVSS			---
173	AN_0/P10_0	TU_N_RST	O	O	Tuner reset
174	VREF	VREF			---
175	AVCC	AVCC			---
176	STXD4/SCL4/RXD4/ADTRG/P9_7	TU_SCL	O	O	Tuner I2C clock

Key detection for A/D port

Key input (A/D) pull-up resistance 10 k-ohms

Ohm	0	+ 1.0 k	+ 1.0 k	+ 1.5 k	+ 1.5 k	+ 2.2 k	+ 3.3 k	+ 4.7 k	22.0 k	33.0 k
V	0 - 0.15	0.15 - 0.42	0.43 - 0.70	0.71 - 0.97	0.98 - 1.24	1.25 - 1.53	1.54 - 1.84	1.85 - 2.22	2.23 - 2.62	2.63 - 3.04
A/D value (3.3 V=255)	0 - 11	12 - 32	33 - 54	55 - 75	76 - 96	97 - 119	120 - 142	143 - 163	162 - 197	198 - 209
KEY1 (171 pin)	RADIO (SCENE4)	CD (SCENE3)	TV (SCENE2)	BD/DVD (SCENE1)	-	-	INPUT >	INPUT <	(Power)	TONE CONTROL

Ohm	0	+ 1.0 k	+ 1.0 k	+ 1.5 k	+ 1.8 k	+ 2.2 k	+ 3.3 k	+ 4.7 k	+ 6.8 k	+ 10.0 k	+ 22.0 k	+ 68.0 k
V	0 - 0.15	0.16 - 0.42	0.43 - 0.70	0.71 - 0.99	1.00 - 1.27	1.28 - 1.56	1.57 - 1.86	1.87 - 2.14	2.15 - 2.39	2.40 - 2.65	2.66 - 2.91	2.92 - 3.17
A/D value (3.3 V=255)	0 - 11	12 - 32	33 - 54	55 - 77	78 - 99	100 - 121	122 - 144	145 - 166	167 - 186	187 - 205	206 - 226	227 - 246
KEY2 (170 pin)	DIRECT	TUNING >>	TUNING <<	AM	FM	PRESET >	PRESET <	MEMORY	INFO	STRAIGHT	PROGRAM >	PROGRAM <

Destination detection for AD port

Pull-up resistance 10 k-ohms

Ohm	0	1.2 k	4.7 k	6.8 k	10.0 k	15.0 k	47.0 k	100.0 k
V	0 - 0.16	0.17 - 0.68	0.69 - 1.19	1.20 - 1.49	1.50 - 1.81	1.82 - 2.35	2.36 - 2.86	2.87 - 3.15
A/D value (3.3 V=255)	0 - 12	13 - 53	54 - 92	93 - 115	116 - 140	141 - 182	183 - 221	222 - 244
Destination (168 pin)	J	U, C	R	T	K	A	B, G, F	L

Model detection for A/D port

Model input (A/D) pull-up resistance 10 k-ohms

R200	10.0 k	10.0 k
R201	2.2 k	3.3 k
V	0.44 - 0.75	0.76 - 1.05
A/D value (3.3 V=255)	34 - 58	59 - 81
Model name (169 pin)	RX-V571	HTR-5064

DOCK detection for AD port

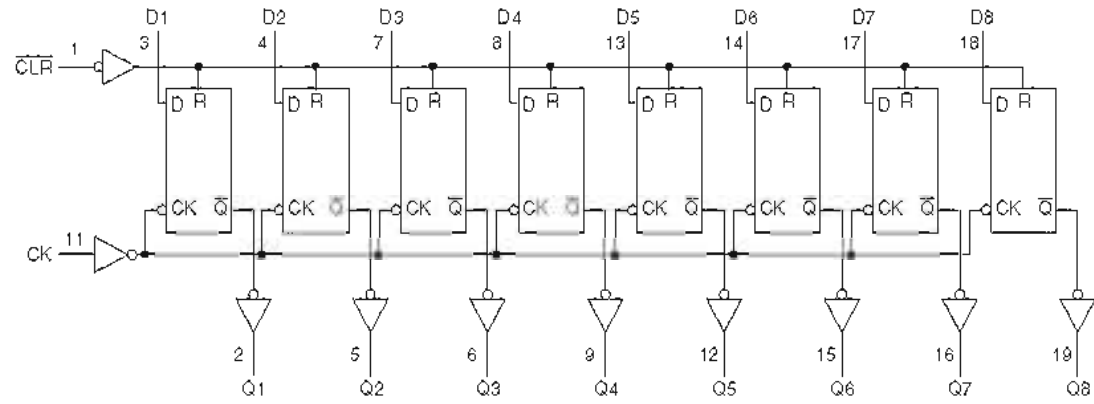
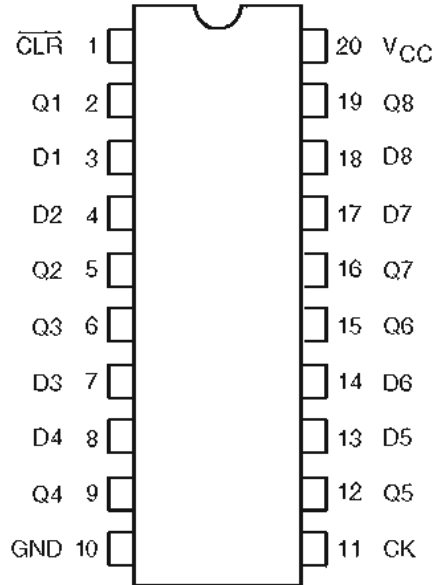
Pull-up resistance 10 k-ohms

DOCK type (DKID 157 pin)	Bluetooth (YBA-10)	Wireless iPod (YID-W10)	iPod		No connected
			(YDS-10/11/12(B*))	(YDS-12(A*))	
A/D value (3.3 V=255)	5 - 25	65 - 100	120 - 140	150 - 170	255

* Mode switch setting of the YDS-12
YDS-12 のモードスイッチ設定

• **Microprocessor extended port**

IC51, 53: TC74VHC273FT (DIGITAL P.C.B.)
Octal D-type flip-flop with clear



CLR	Inputs		Output	Function
	D	CK	Q	
L	X	X	L	Clear
H	L	↑	L	--
H	H	↑	H	--
H	X	↓	Q _n	No Change

IC51

Pin No.	R32C external bus data	Function Name	I/O		Detail of Function
			Related power supply		
			ON	OFF	
2	D8	USB_N_CS	O	O	USB chip select
5	D9	USB_N_RST	O	O	USB reset
6	D10	APL_N_RST	O	O	Apple reset
9	D11	APL_N_CS	O	O	Apple chip select
12	D12	(no_use)	O	O	Unconnected
15	D13	DK2_PON	O	O	No used
16	D14	VDEC_PON	O	O	No used
19	D15	VID_PON	O	O	Video power supply control

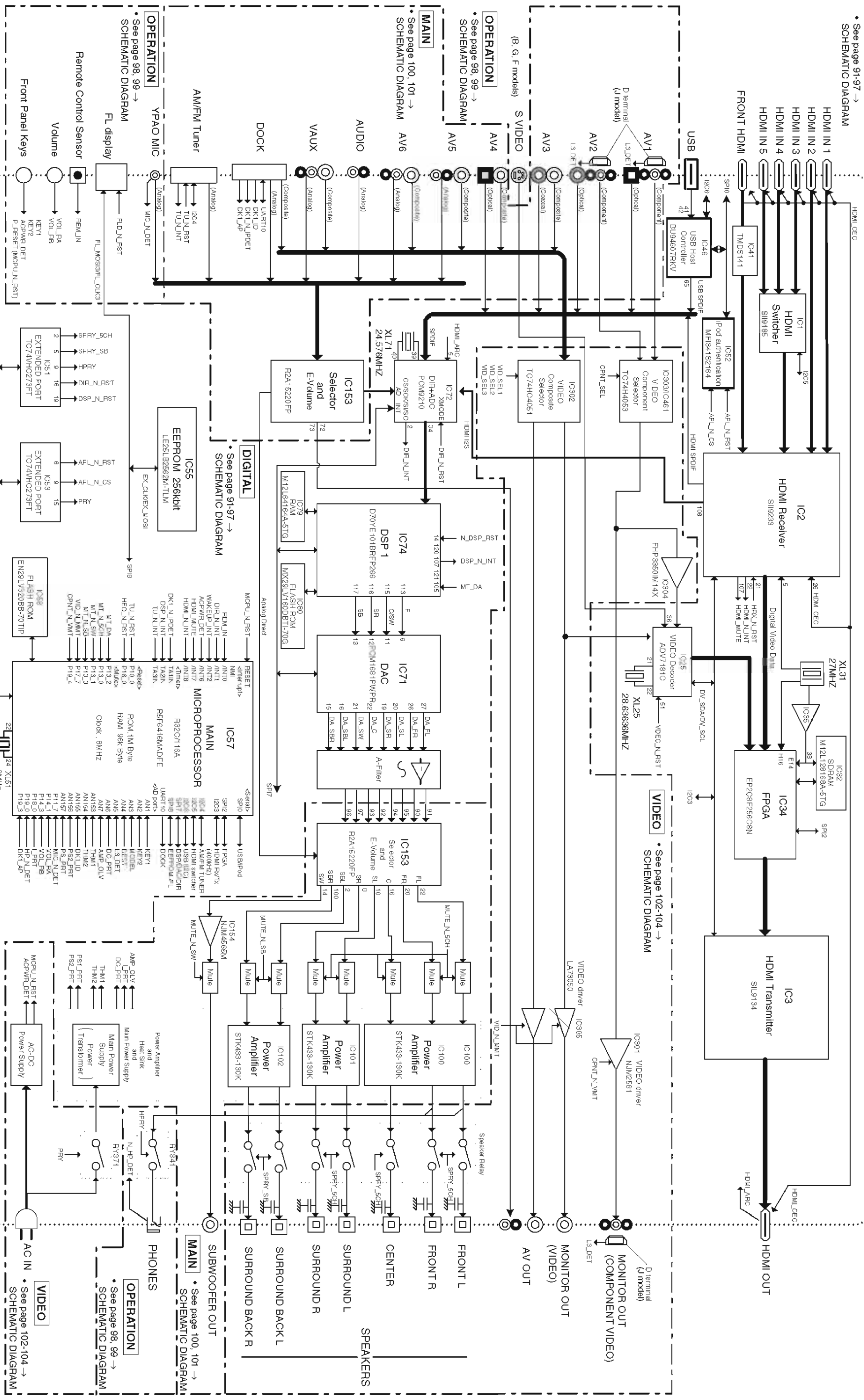
IC53

Pin No.	R32C external bus data	Function Name	I/O		Detail of Function
			Related power supply		
			ON	OFF	
2	D0	SPRY_5CH	O	O	SP relay 5ch (L, C, R, SRL, SRR)
5	D1	SPRY_SB&BA	O	O	SP relay surround back and Bi-Amp
6	D2	(no_use)	O	O	Unconnected
9	D3	HPRY	O	O	HP relay
12	D4	TRANS_RY	O	O	SP impedance switch (±B voltage switch)
15	D5	PRY	O	O	Power relay
16	D6	DIR_N_RST	O	O	DIR reset
19	D7	DSP_N_RST	O	O	DSP reset

BLOCK DIAGRAM

DIGITAL

See page 91-97 →
SCHEMATIC DIAGRAM



OPERATION

See page 98, 99 →
SCHEMATIC DIAGRAM

VIDEO

See page 102-104 →
SCHEMATIC DIAGRAM

AUDIO

See page 100, 101 →
SCHEMATIC DIAGRAM

AV

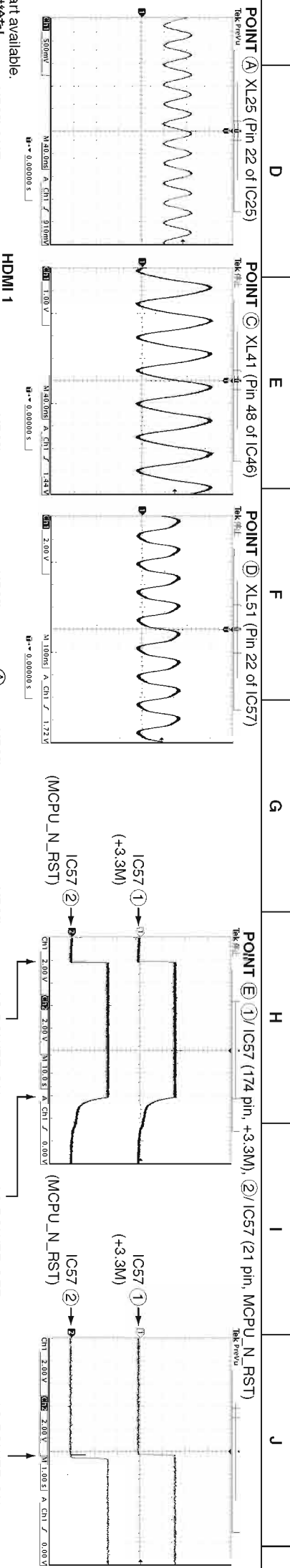
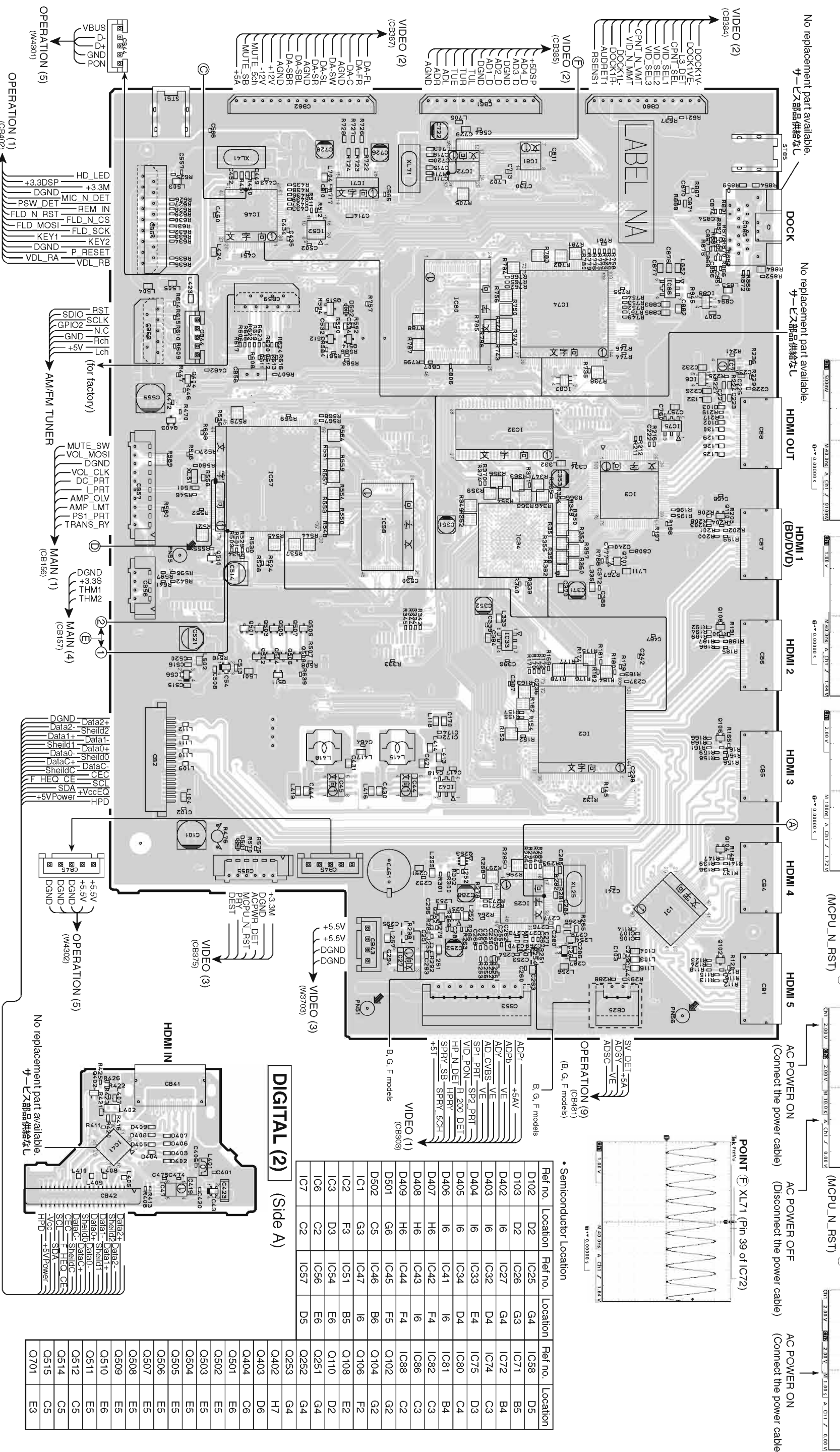
See page 98, 99 →
SCHEMATIC DIAGRAM

MAIN

See page 100, 101 →
SCHEMATIC DIAGRAM

PRINTED CIRCUIT BOARDS

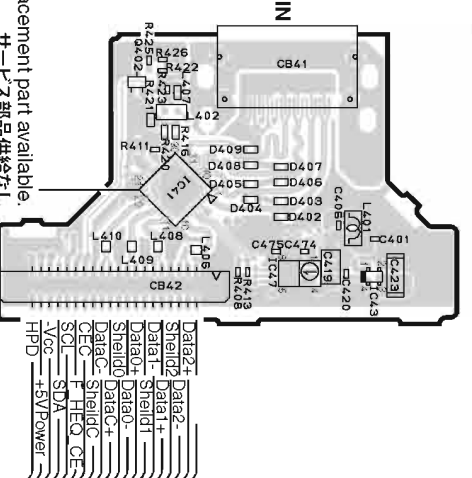
DIGITAL (1) (Side A)



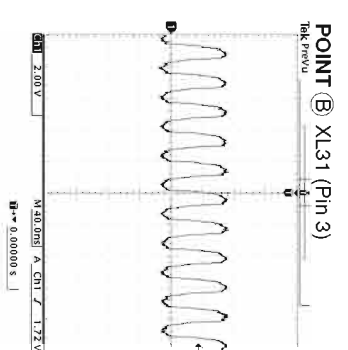
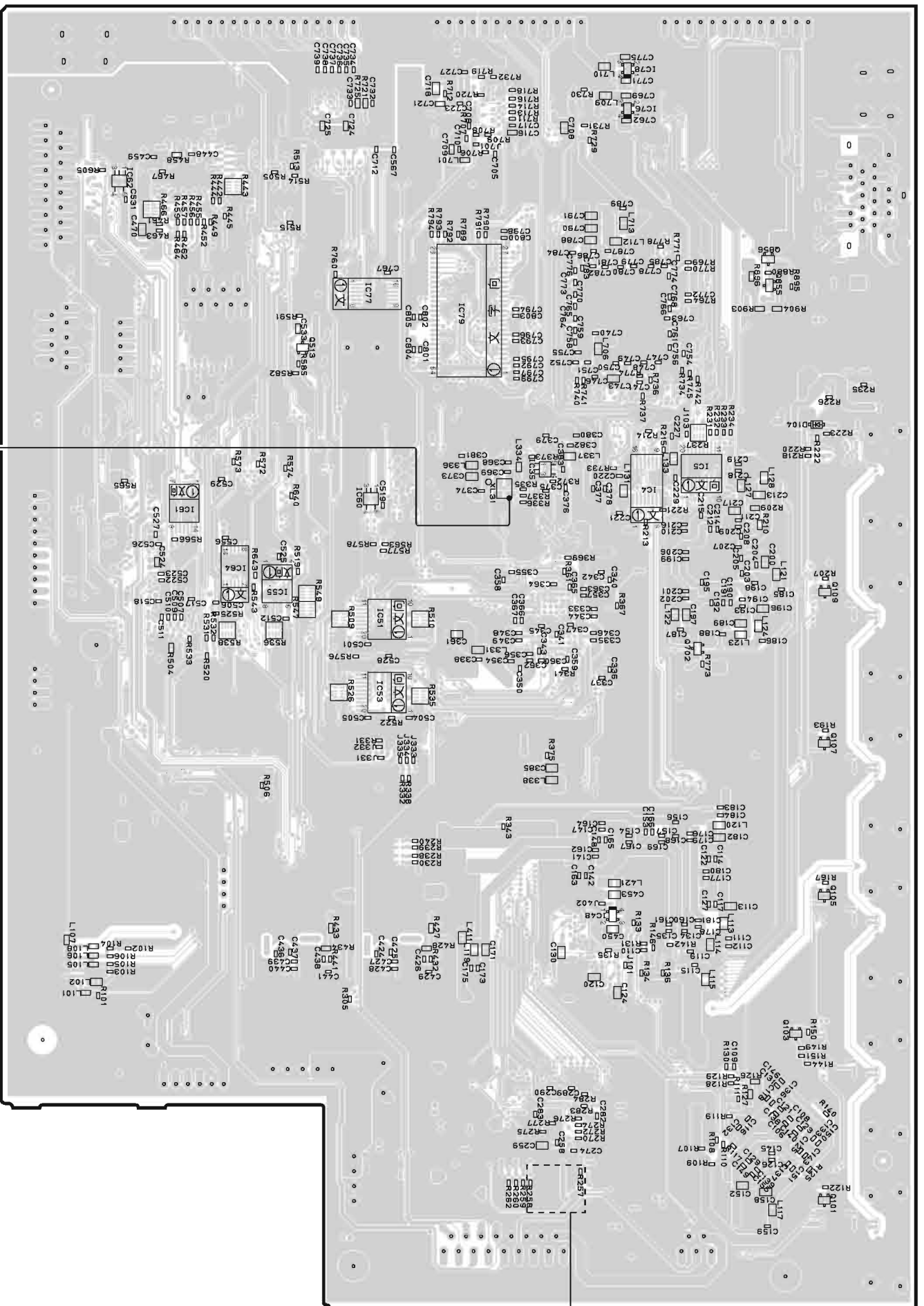
• Semiconductor Location

Ref no.	Location	Ref no.	Location	Ref no.	Location
D102	D2	IC25	G4	IC58	D5
D103	D2	IC26	G3	IC71	B5
D402	I6	IC27	G4	IC72	B4
D403	I6	IC32	D4	IC74	C3
D404	I6	IC33	E4	IC75	C3
D405	I6	IC34	D4	IC80	D3
D406	I6	IC41	I6	IC81	B4
D407	H6	IC42	F4	IC82	C3
D408	H6	IC43	I6	IC86	C3
D409	H6	IC44	F4	IC88	C2
D501	G5	IC45	F5	Q104	G2
D502	G5	IC46	B6	Q102	G2
IC1	G3	IC47	I6	Q106	F2
IC2	F3	IC51	B5	Q108	E2
IC3	D3	IC54	E6	Q110	D2
IC6	C2	IC56	E6	Q251	G4
IC7	C2	IC57	D5	Q252	G4
				Q253	G4
				Q402	H7
				Q403	D6
				Q404	C6
				Q501	E6
				Q502	E5
				Q503	E5
				Q504	E5
				Q505	E5
				Q506	E5
				Q507	E5
				Q508	E5
				Q509	E5
				Q510	E6
				Q511	E5
				Q512	C5
				Q514	C5
				Q515	C5
				Q701	E3

DIGITAL (2) (Side A)



DIGITAL (1) (Side B)

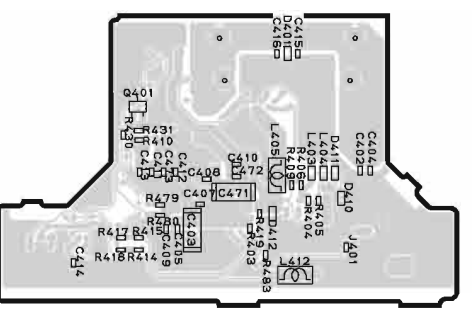


U, C, R, T, K, A, L, J models

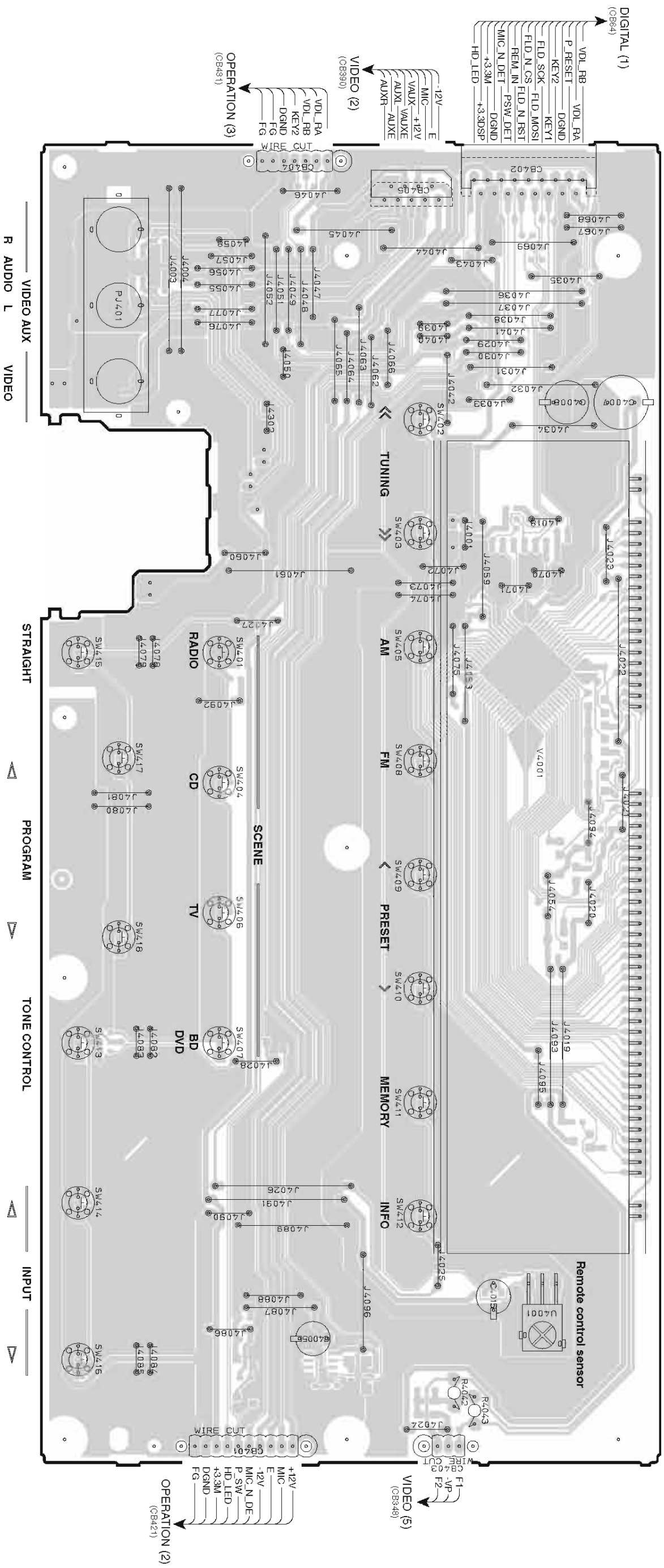
• Semiconductor Location

Ref no.	Location	Ref no.	Location
D104	C2	IC76	B3
D401	H6	IC77	C5
D410	I6	IC78	B3
D411	I6	IC79	C4
D412	I6	Q101	G2
IC4	D3	Q103	F3
IC5	D3	Q105	F2
IC35	D4	Q107	E2
IC48	F3	Q109	D2
IC53	E5	Q401	H7
IC55	D5	O513	C5
IC60	D5	Q702	E3
IC61	D6	O855	C3
IC62	B6	O856	C3
IC64	D5		

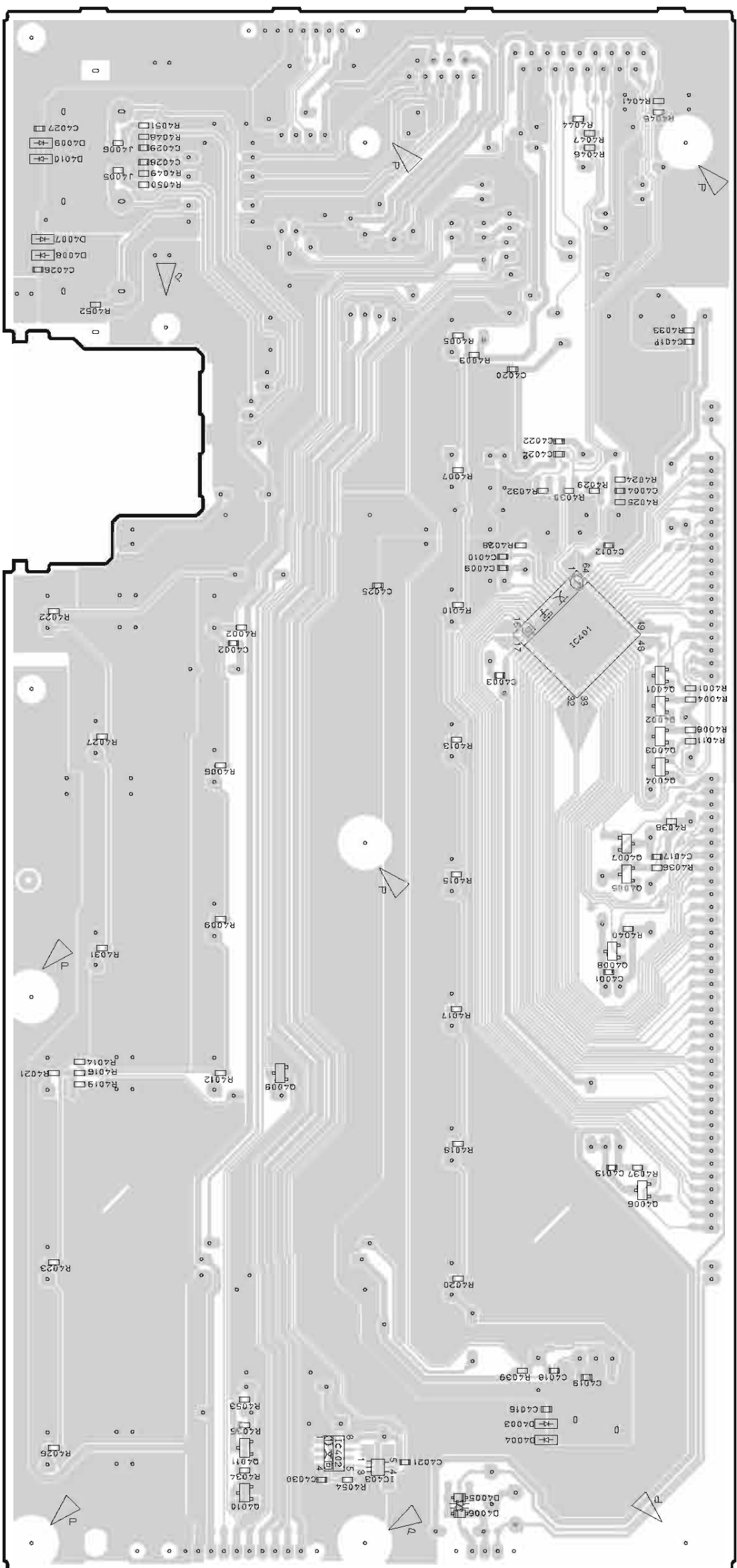
DIGITAL (2) (Side B)



OPERATION (1) (Side A)



OPERATION (1) (Side B)



• Semiconductor Location

Ref no.	Location	Ref no.	Location	Ref no.	Location
D4003	H3	IC401	E3	Q4005	F2
D4004	I3	IC402	I4	Q4006	G2
D4005	I3	IC403	I4	Q4007	F2
D4006	I3	Q4001	E2	Q4008	F3
D4007	B5	Q4002	E2	Q4009	G4
D4008	C5	Q4003	E2	Q4010	I4
D4009	B5	Q4004	E2	Q4011	I4
D4010	B5				

7

6

5

4

3

2

1

A

B

C

D

E

F

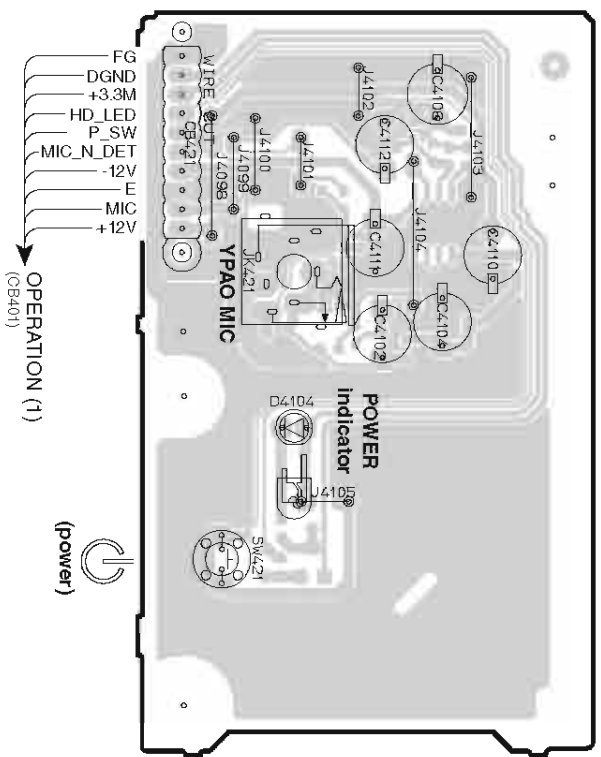
G

H

I

J

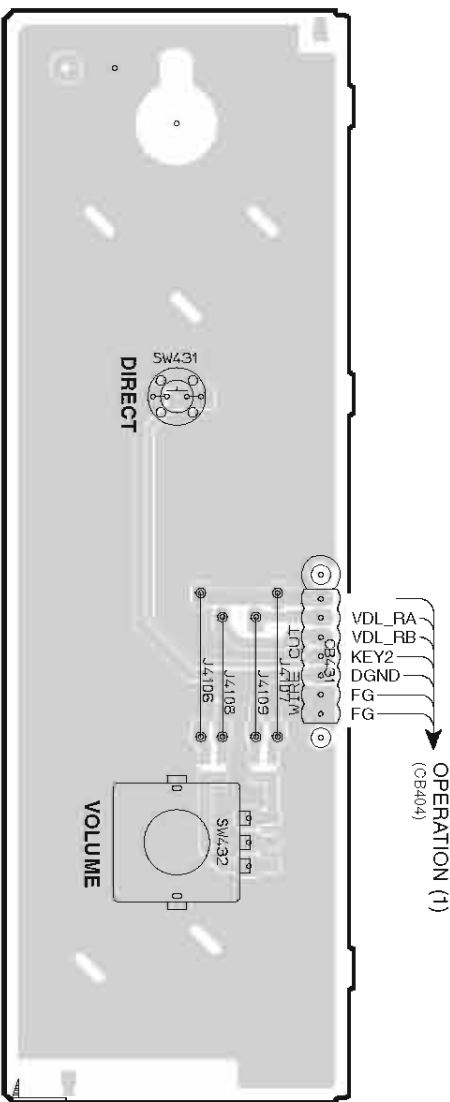
OPERATION (2) (Side A)



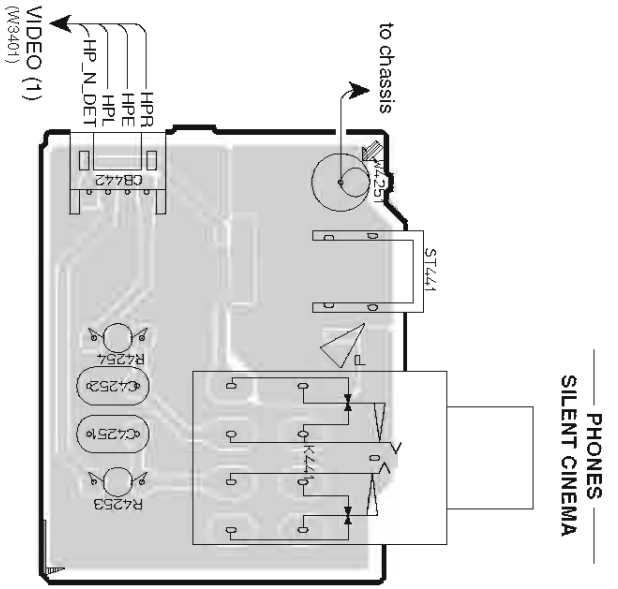
• Semiconductor Location

Ref no.	Location
D4104	C3

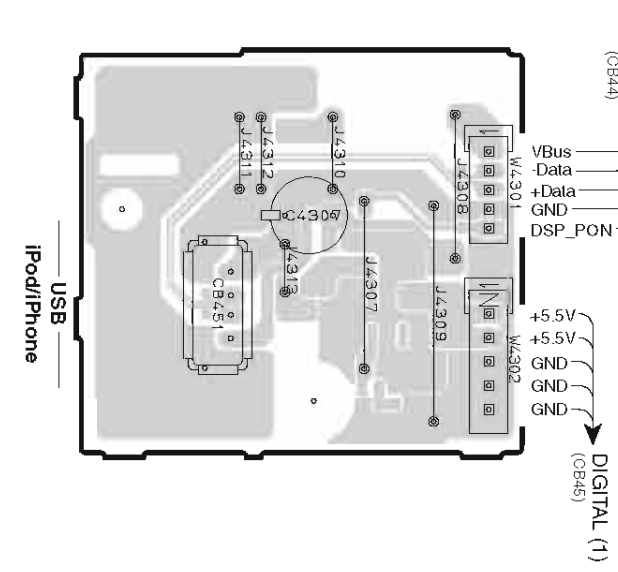
OPERATION (3) (Side A)



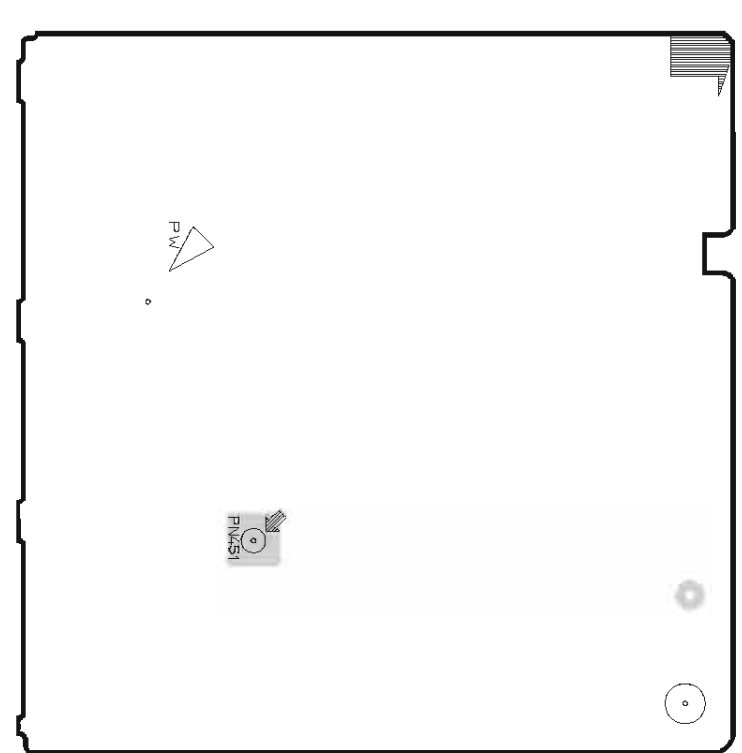
OPERATION (4) (Side A)



OPERATION (5) (Side A)

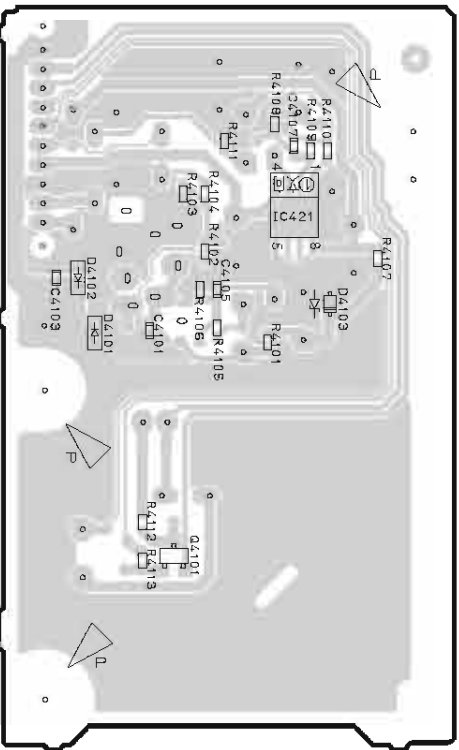


OPERATION (6) (Side A)

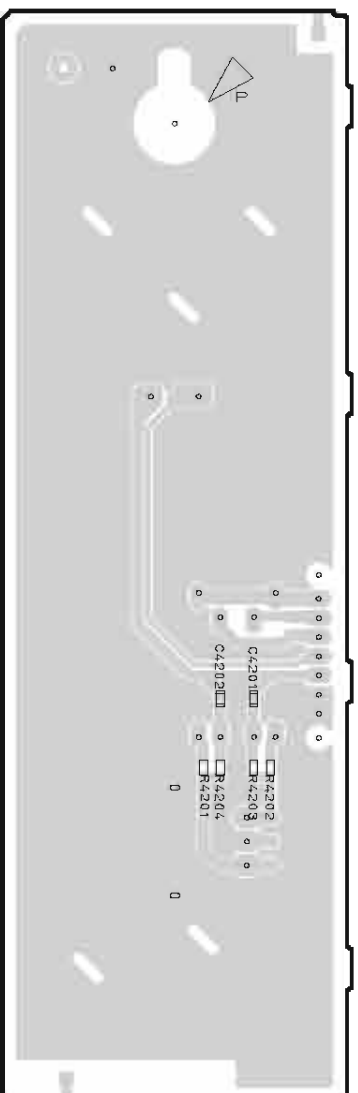


1

OPERATION (2) (Side B)



OPERATION (3) (Side B)



• Semiconductor Location

Ref.no	Location
D4101	B3
D4102	B3
D4103	B2
D4251	B6
D4252	B6
D4301	E5
D4302	E6
D4303	E6
IC421	B2
IC451	E6
Q4101	C3

2

3

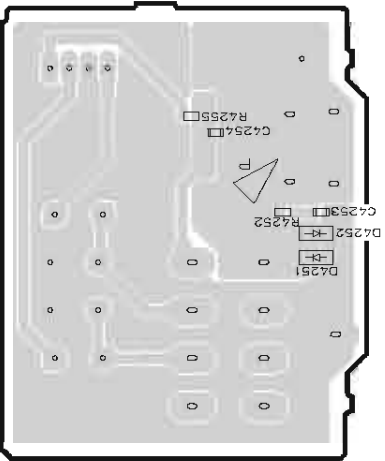
4

5

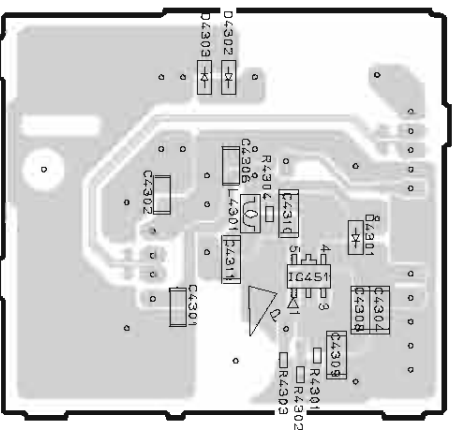
6

7

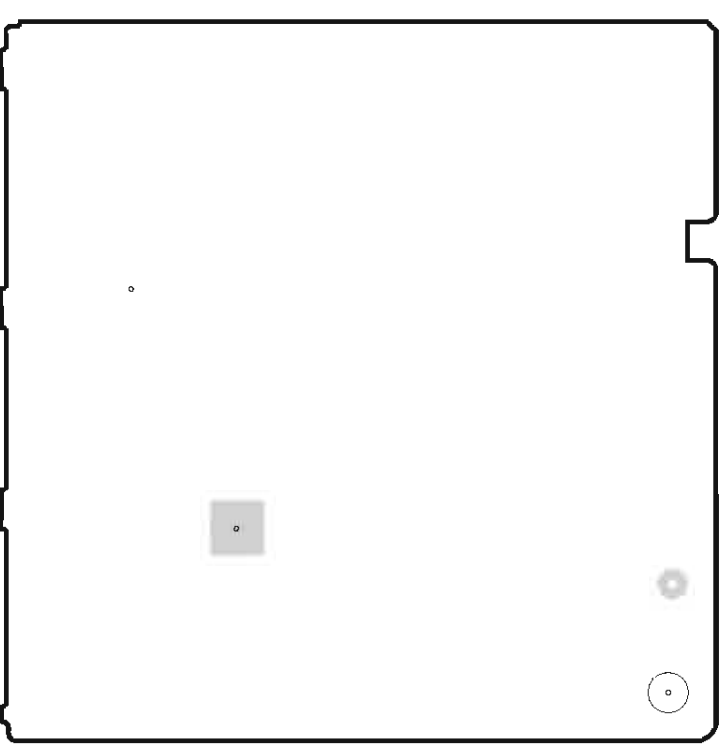
OPERATION (4) (Side B)



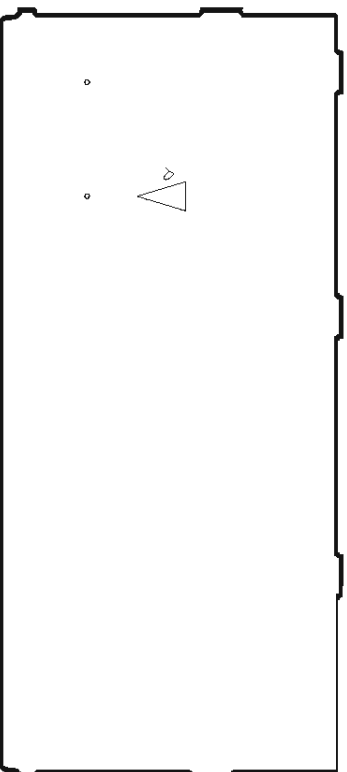
OPERATION (5) (Side B)



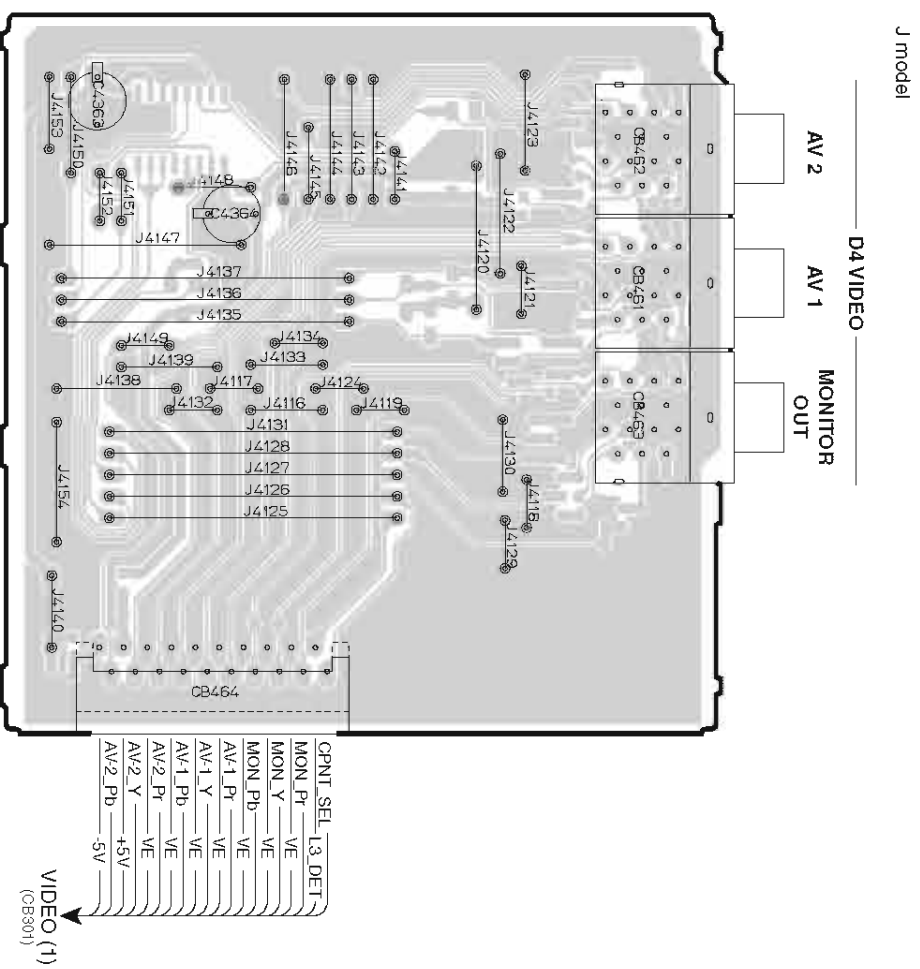
OPERATION (6) (Side B)



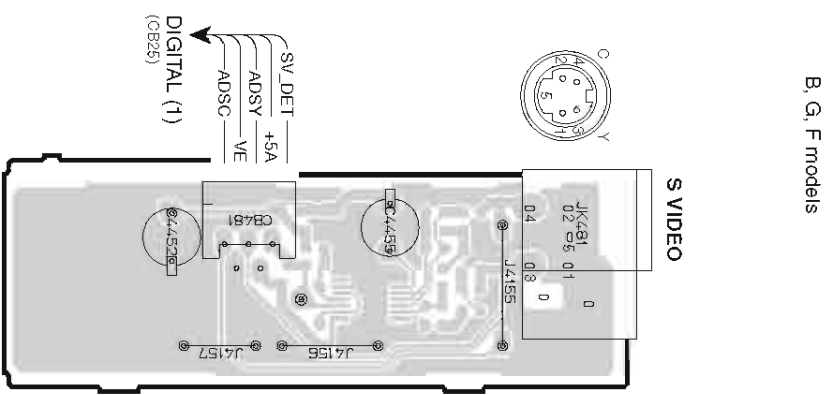
OPERATION (7) (Side A)



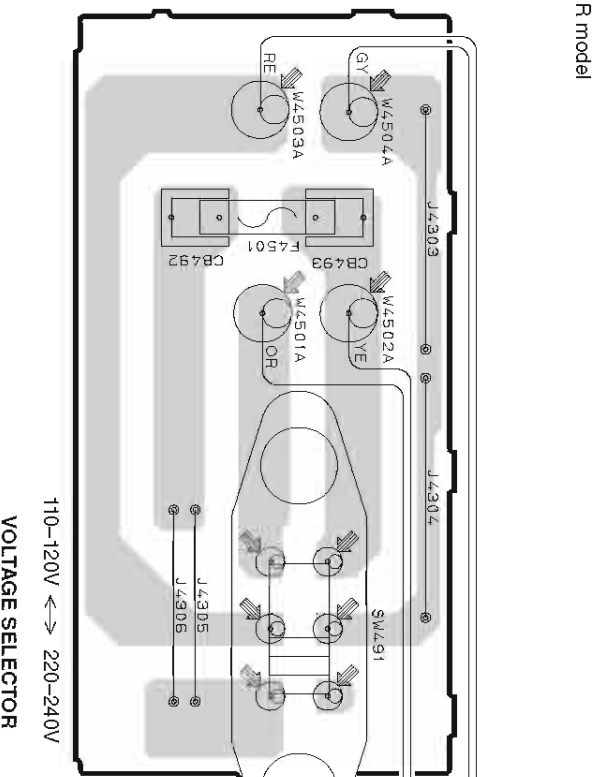
OPERATION (8) (Side A)



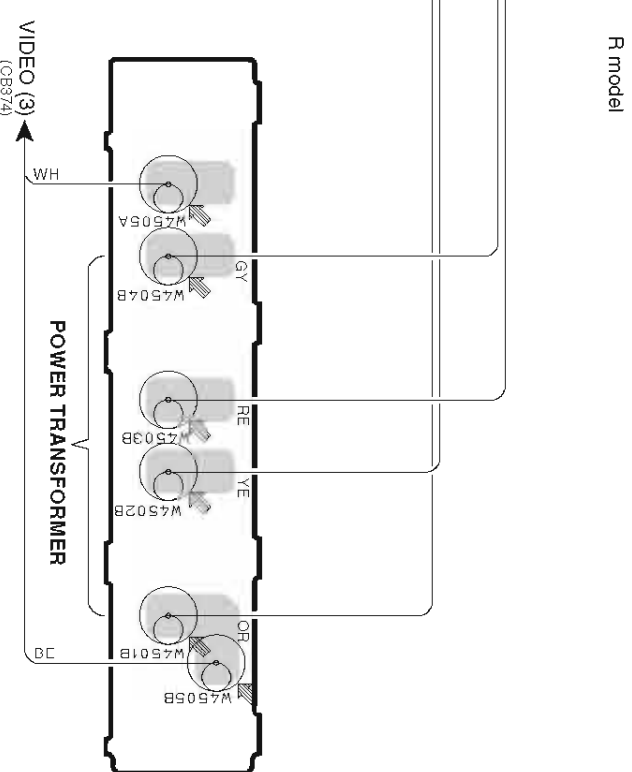
OPERATION (9) (Side A)



OPERATION (10) (Side A)



OPERATION (11) (Side A)



A

B

C

D

E

F

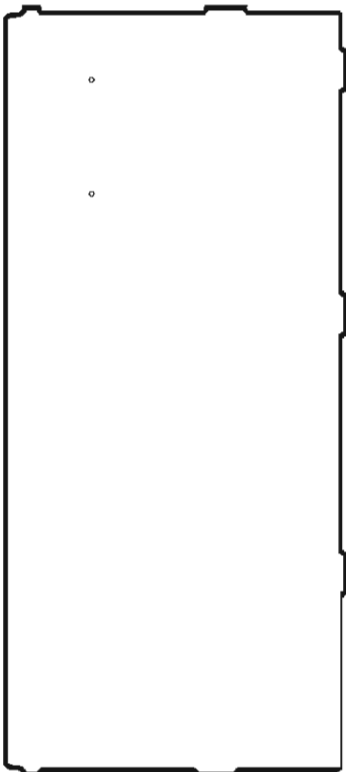
G

H

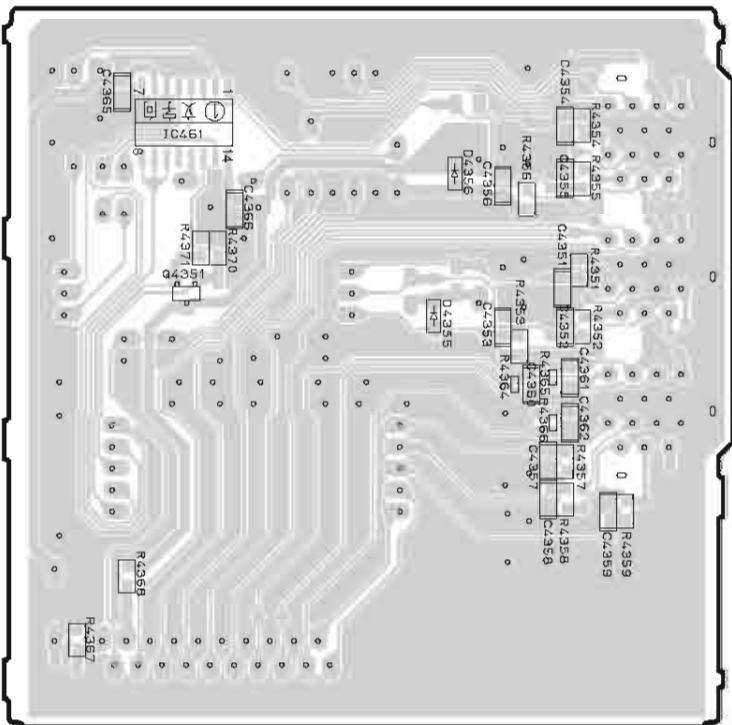
I

J

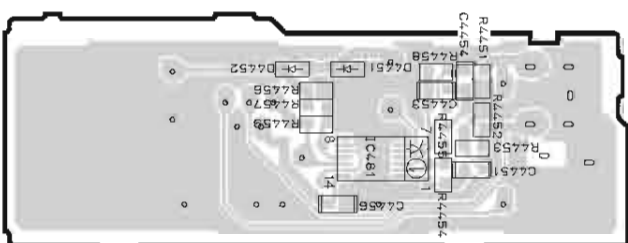
OPERATION (7) (Side B)



OPERATION (8) (Side B)
J model

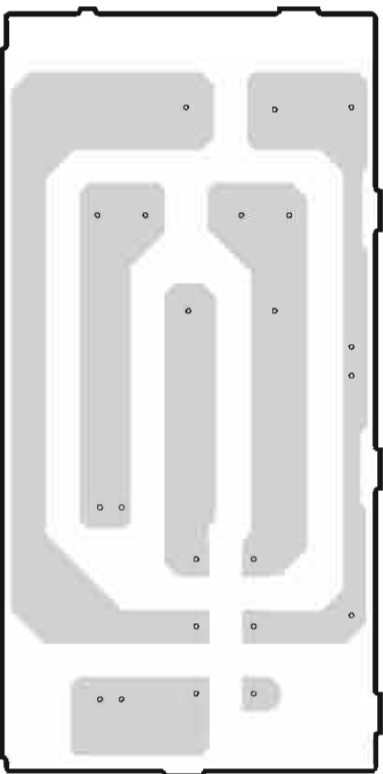


OPERATION (9) (Side B)
B, G, F models



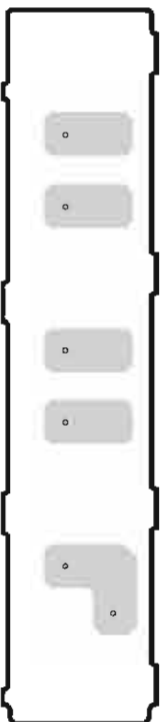
OPERATION (10) (Side B)

R model



OPERATION (11) (Side B)

R model



• Semiconductor Location

Ref no.	Location
D4355	F3
D4356	E3
D4451	I3
D4452	I3
IC461	E4
IC481	I3
Q4351	E4

1

2

3

4

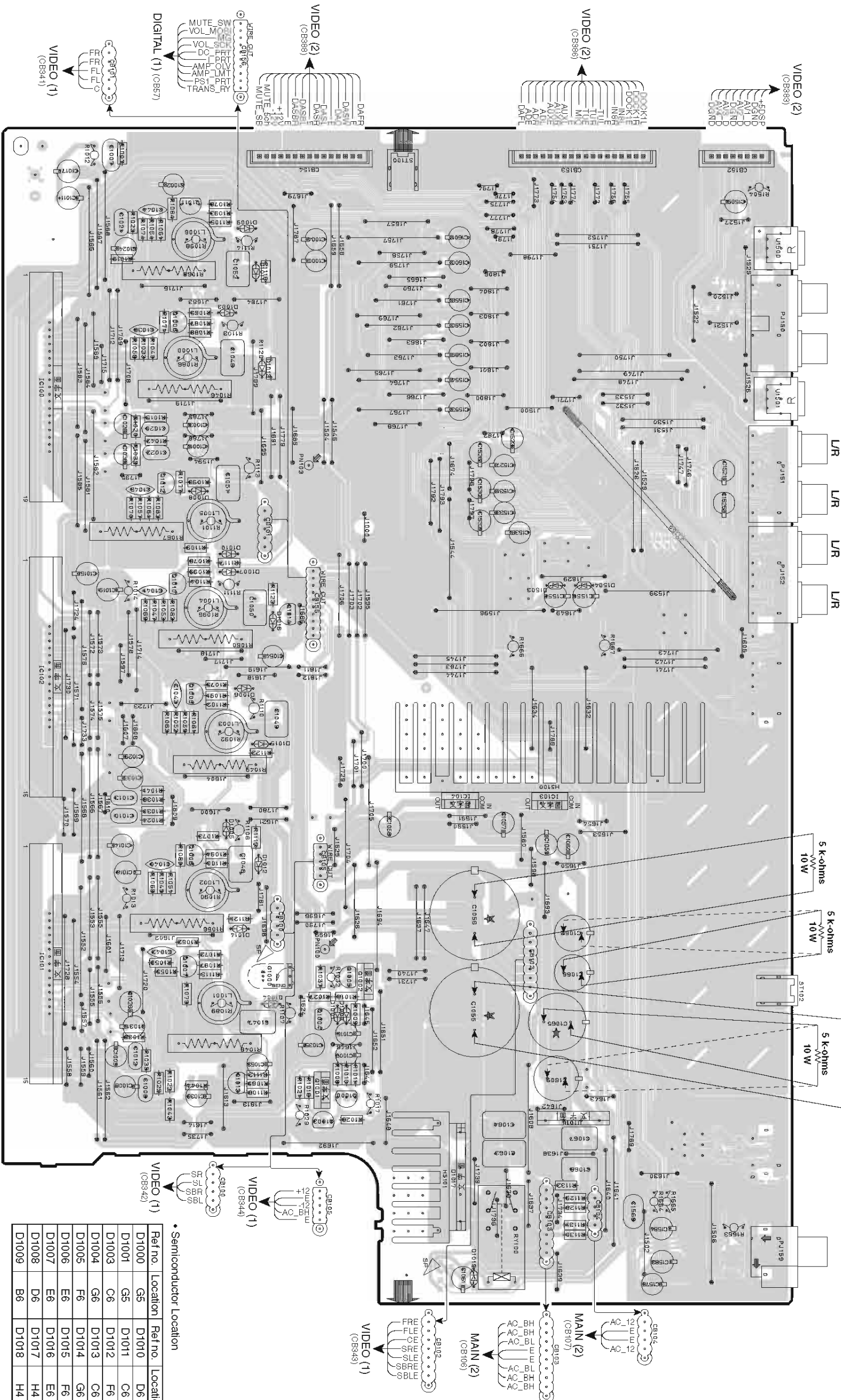
5

6

7

MAIN (1) (Side A)

AV1 OPTICAL AV2 COAXIAL AV3 COAXIAL AV4 COAXIAL AV5 COAXIAL AV6 COAXIAL AV AUDIO SUBWOOFER



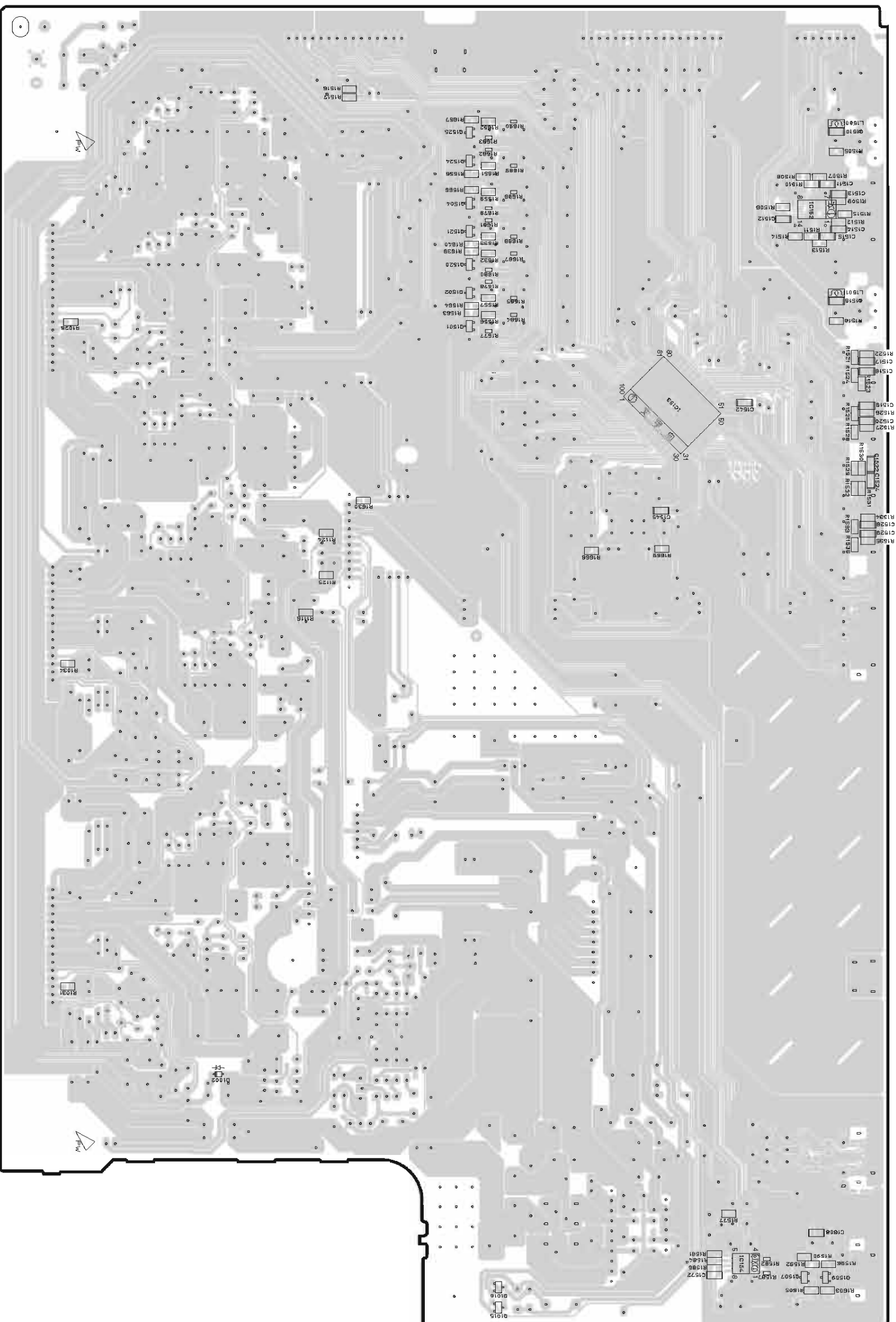
- Notes)**
- Safety measures**
 - Some internal parts in this product contain high voltages and are dangerous. Be sure to take safety measures during servicing, such as wearing insulating gloves.
 - Note that the capacitors indicated below are dangerous even after the power is turned off because an electric charge remains and a high voltage continues to exist there.
 - Before starting any repair work, connect a discharging resistor (5 k-ohms/10 W) to the terminals of each capacitor indicated below to discharge electricity.
 - The time required for discharging is about 30 seconds per each.

注意)
安全対策
 この製品の内部には高電圧部分があり危険です。修理の際は、絶縁性の手袋を使用するなどの安全対策を行ってください。
 下記のコンデンサには電圧が残り、電源が切れても電圧が残り、高電圧が維持されており危険です。修理作業前に放電用抵抗
 (5 kΩ/10 W) を下記の各コンデンサの端子間に接続して放電してください。放電所需時間は各々約30秒間です。
 MAIN (1) P.C.B.の C1055、C1056、C1062、C1065、C1066、C1609

Semiconductor Location

Ref.no.	Location	Ref.no.	Location
D1000	G5	D1010	D6
D1001	G5	D1011	C6
D1003	C6	D1012	F6
D1004	G6	D1013	C6
D1005	F6	D1014	G6
D1006	E6	D1015	F6
D1007	E6	D1016	E6
D1008	D6	D1017	H4
D1009	B6	D1018	H4
Q1000	F4	Q1001	H5
Q1001	H5	Q1002	G5
Q1002	G5	Q1003	H5
Q1003	H5	Q1004	G5
Q1004	G5	Q1005	G5

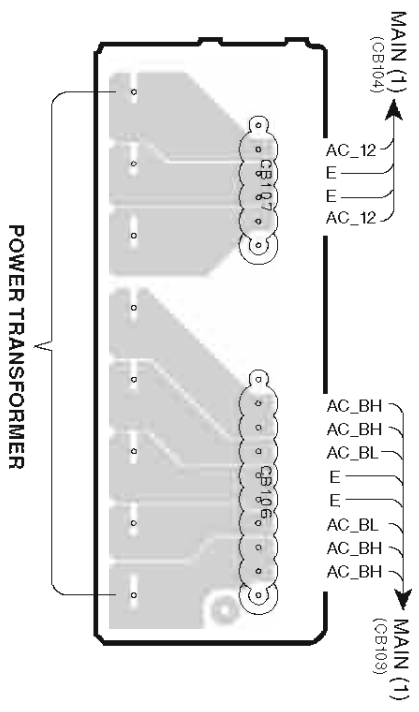
MAIN (1) (Side B)



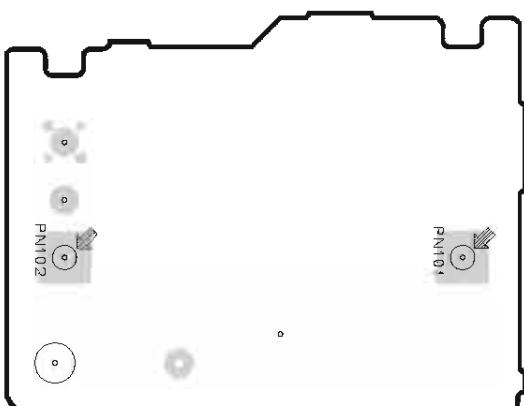
◆ Semiconductor Location

Ref no.	Location
D1002	G6
IC152	B3
IC153	C3
IC154	H3
Q1015	H4
Q1501	C5
Q1502	C5
Q1504	B5
Q1507	H3
Q1509	H3
Q1520	C5
Q1521	B5
Q1524	B5
Q1525	B5

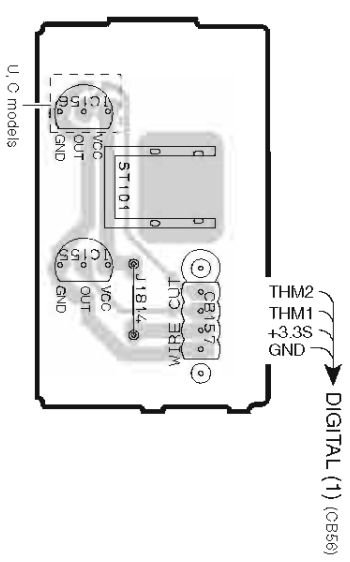
MAIN (2) (Side A)



MAIN (3) (Side A)



MAIN (4) (Side A)



• Semiconductor Location

Ref no.	Location
IC155	H3
IC156	H3

A

B

C

D

E

F

G

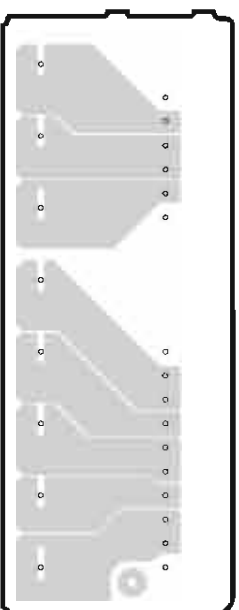
H

I

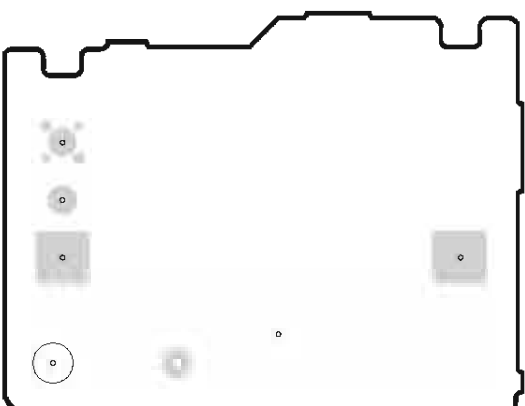
J

1

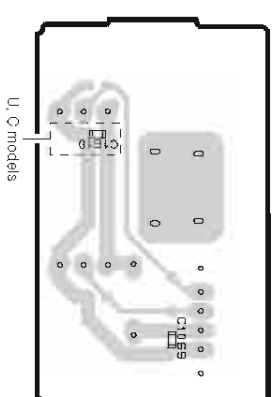
MAIN (2) (Side B)



MAIN (3) (Side B)



MAIN (4) (Side B)



4

3

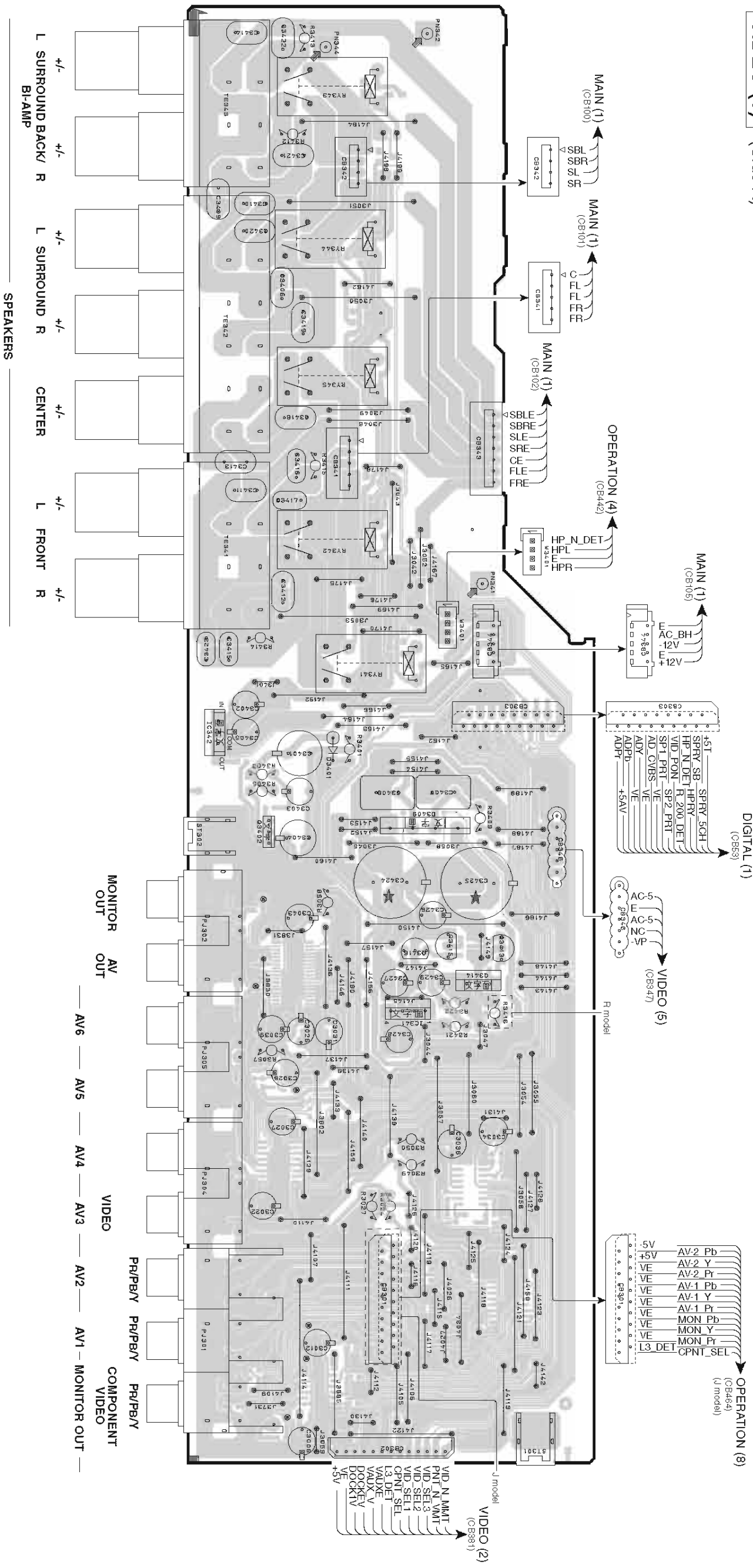
2

5

6

7

VIDEO (1) (Side A)



L SURROUND BACK R +/-
 BI-AMP
 L SURROUND R +/-
 CENTER +/-
 L FRONT R +/-

MONITOR OUT AV
 AV6 AV5 AV4 AV3 AV2 AV1 - MONITOR OUT
 VIDEO
 PR/PB/V PR/PB/V PR/PB/V
 COMPONENT VIDEO

• Semiconductor Location

Ref no.	Location
D3401	F4
D3409	F3
IC341	G3
IC342	F5
Q3402	F4
Q3413	G3
Q3414	G3
Q3415	G3
Q3416	G3

A

B

C

D

E

F

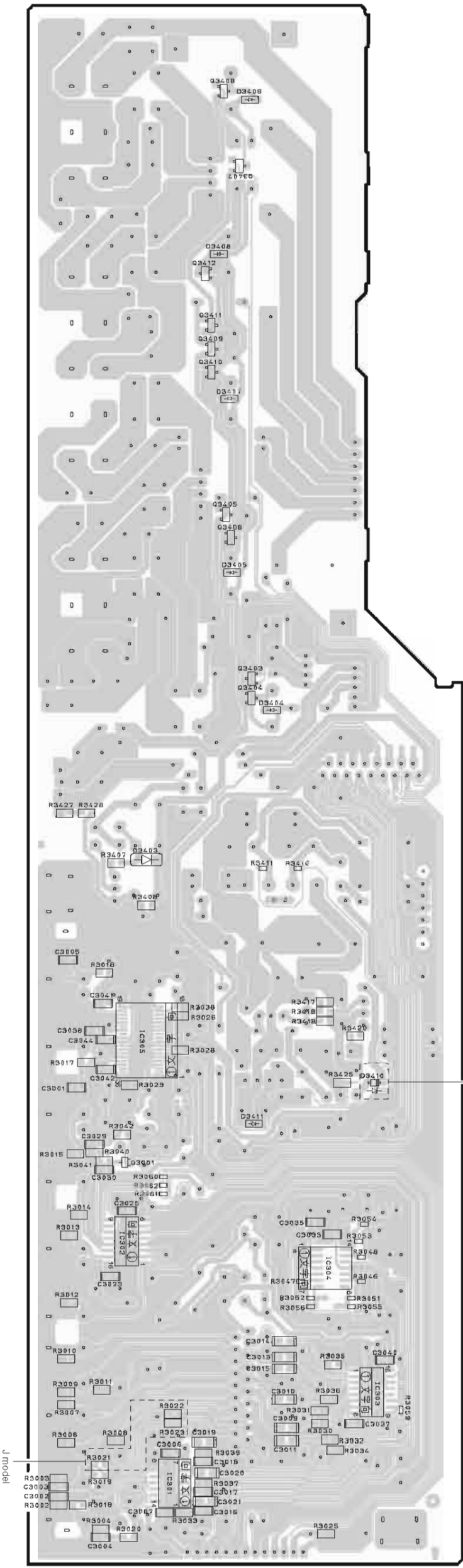
G

H

I

J

VIDEO (1) (Side B)



• Semiconductor Location

Ref no.	Location	Ref no.	Location
D3403	F4	IC305	G4
D3404	E3	Q3001	H4
D3405	D4	Q3403	E4
D3406	B4	Q3404	E4
D3407	C4	Q3405	D4
D3408	C4	Q3406	D4
D3410	G3	Q3407	B4
D3411	G4	Q3408	B4
IC301	I4	Q3409	C4
IC302	H4	Q3410	C4
IC303	I3	Q3411	C4
IC304	H3	Q3412	C4

7

6

5

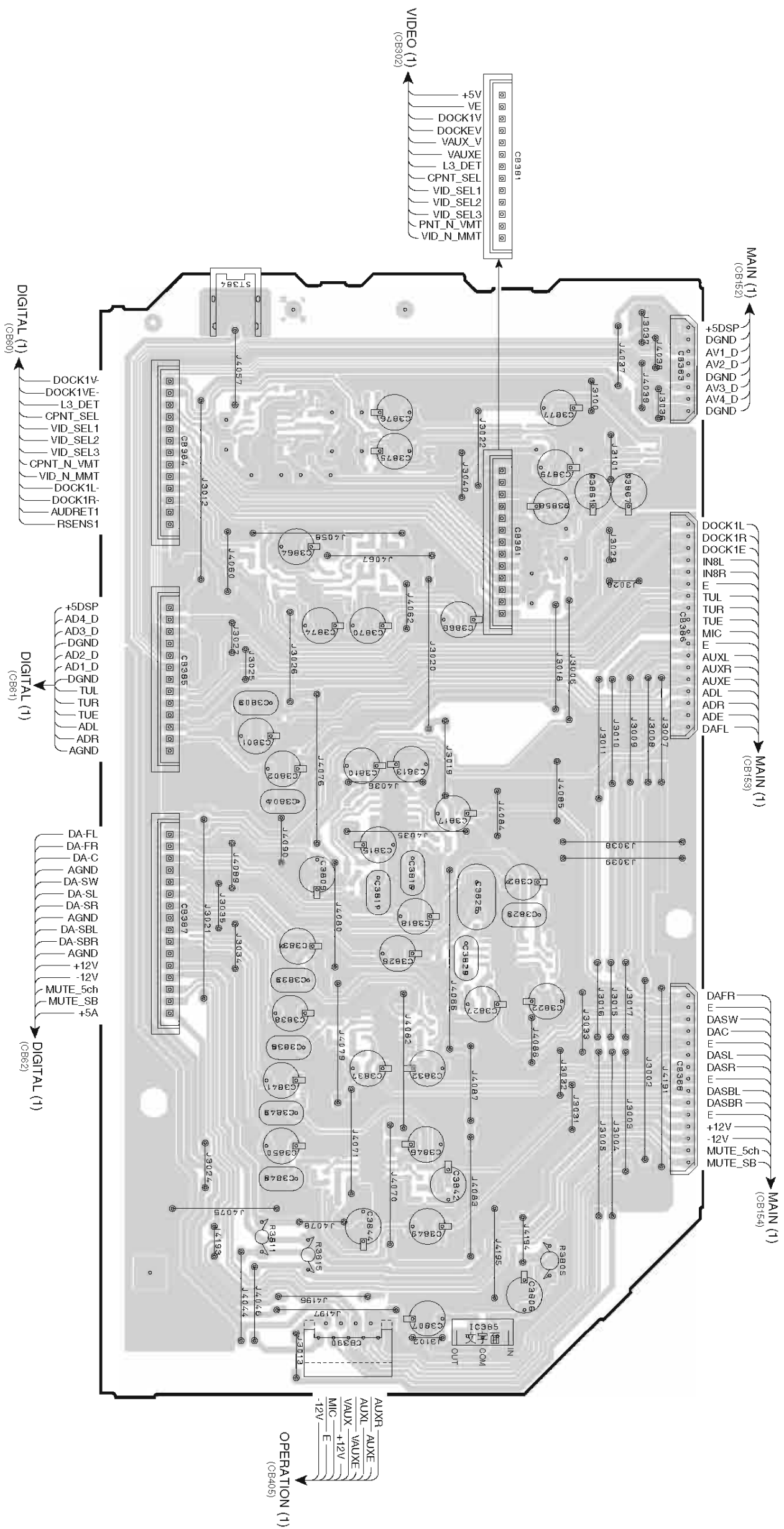
4

3

2

1

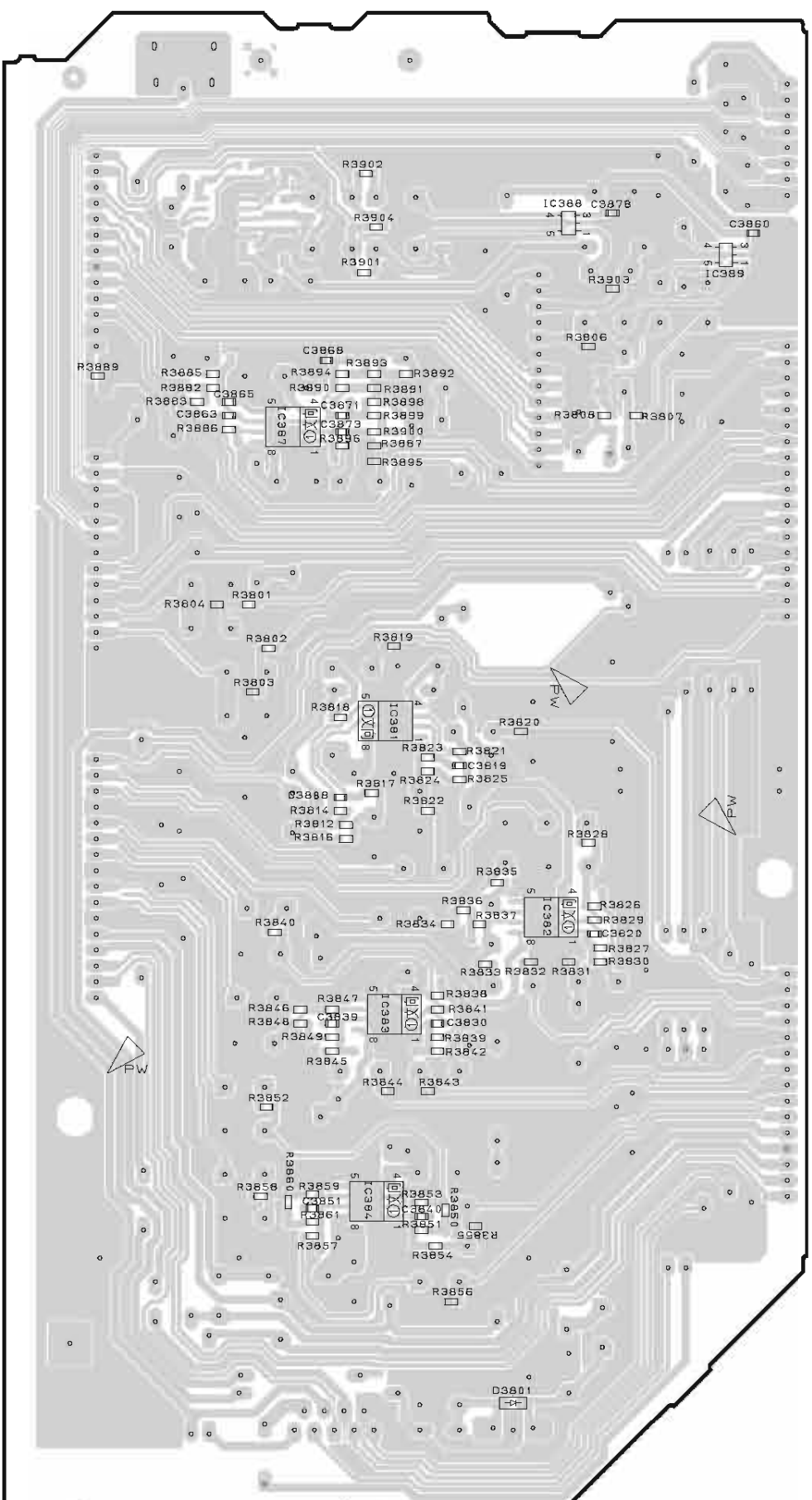
VIDEO (2) (Side A)



• Semiconductor Location

Ref no.	Location
IC385	H3

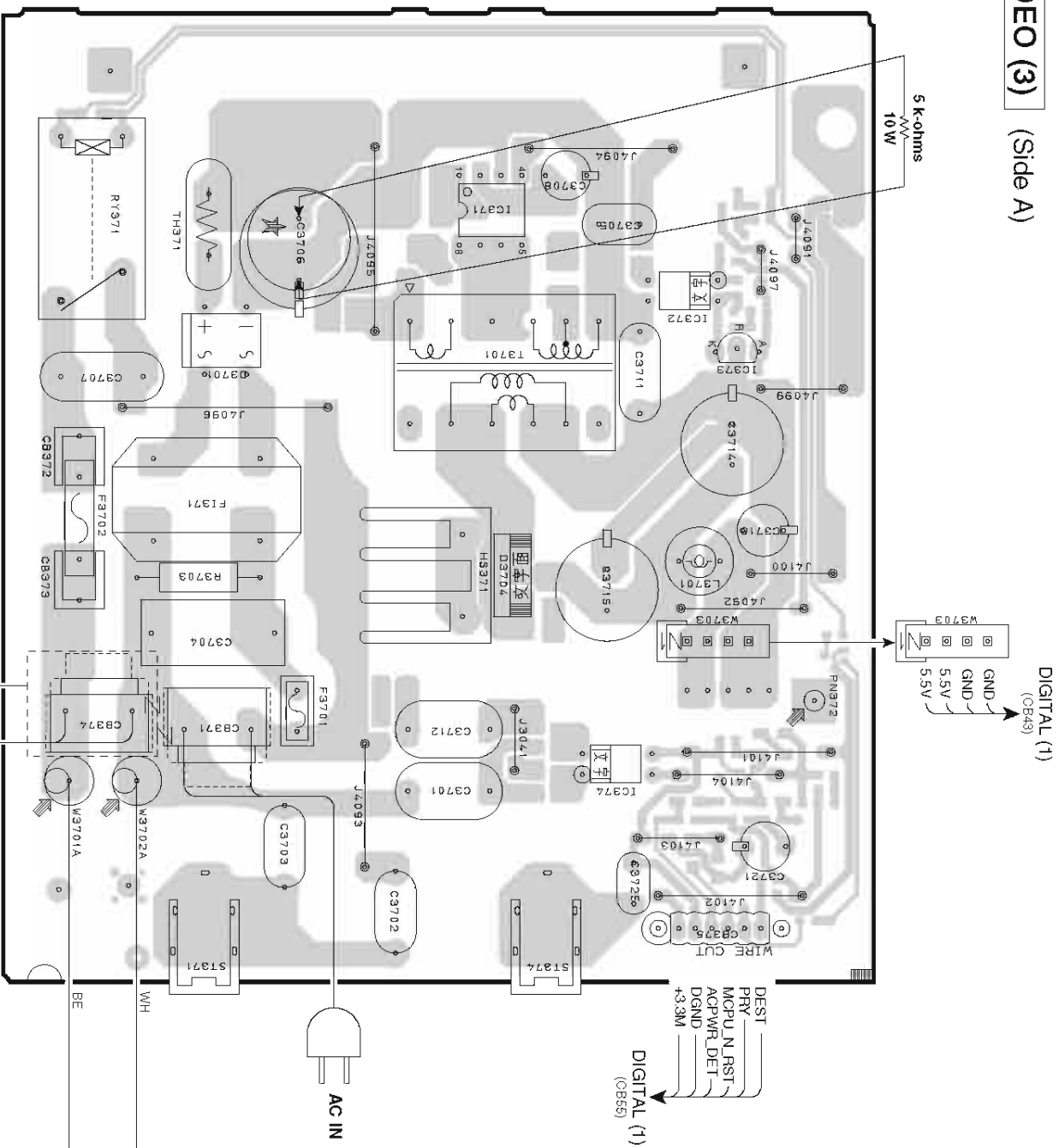
VIDEO (2) (Side B)



• Semiconductor Location

Ref.no.	Location
D3801	H3
IC381	E4
IC382	F3
IC383	F4
IC384	G4
IC387	D4
IC388	C3
IC389	C3

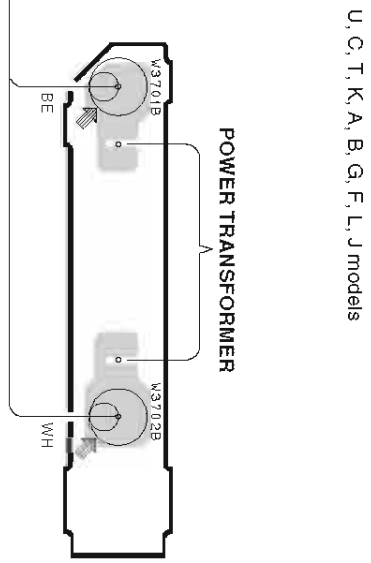
VIDEO (3) (Side A)



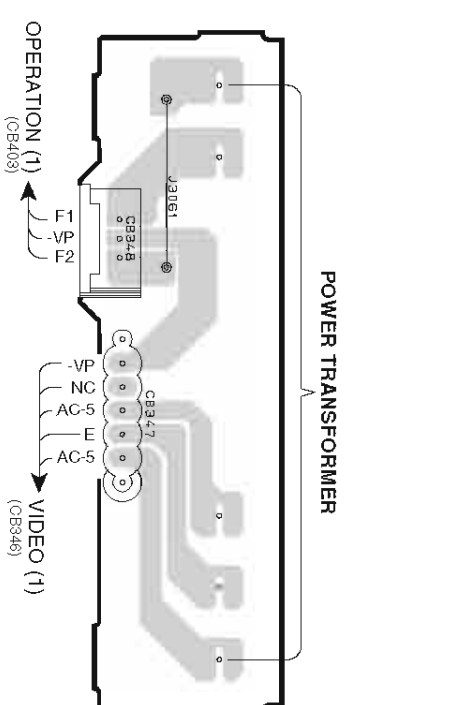
• Semiconductor Location

Ref no.	Location
D3701	C5
D3704	D3
IC371	B4
IC372	C3
IC373	C3
IC374	E3

VIDEO (4) (Side A)



VIDEO (5) (Side A)



Notes)

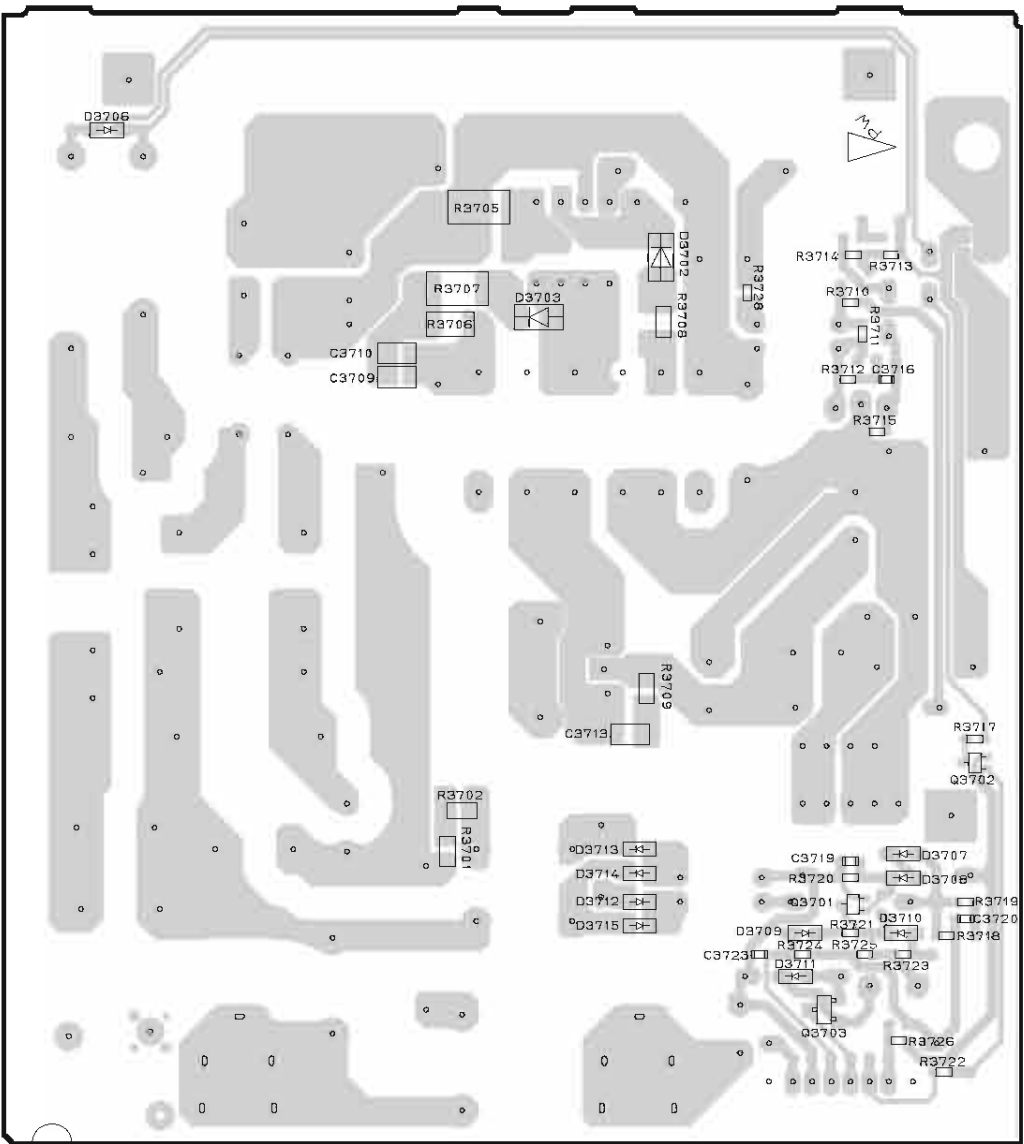
- **Safety measures**
- Some internal parts in this product contain high voltages and are dangerous. Be sure to take safety measures during servicing, such as wearing insulating gloves.
- Note that the capacitors indicated below are dangerous even after the power is turned off because an electric charge remains and a high voltage continues to exist there.
- Before starting any repair work, connect a discharging resistor (5 k-ohms/10 W) to the terminals of each capacitor indicated below to discharge electrically.
- The time required for discharging is about 30 seconds per each. C3706 on VIDEO (3) P.C.B.

注意)

- **安全対策**
- この製品の内部には高電圧部分があり危険です。修理の際は、絶縁性の手袋を使用するなど、の安全対策を行ってください。
- 下記のコンデンサには電圧をOFFにした後も電圧が残り、高電圧が維持されており危険です。修理作業前に放電用抵抗 (5kΩ/10W) を下記の各コンデンサの端子間に接続して放電してください。放電所用時間は各々約30秒間です。
- VIDEO (3) P.C.B. の C3706

A B C D E F G H I J

VIDEO (3) (Side B)

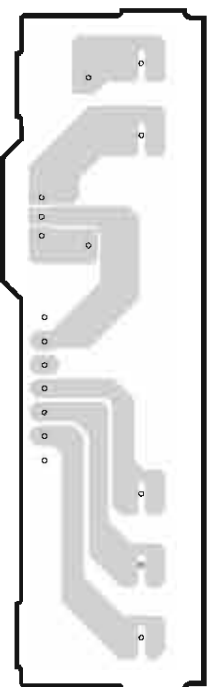


VIDEO (4) (Side B)

U, C, T, K, A, B, G, F, L, J models



VIDEO (5) (Side B)



• Semiconductor Location

Ref. no.	Location	Ref. no.	Location
D3702	B3	D3712	D3
D3703	B4	D3713	D3
D3706	B5	D3714	D3
D3707	D2	D3715	D3
D3708	D2	Q3701	D3
D3709	D3	Q3702	D2
D3710	D2	Q3703	D3
D3711	D3		

7

6

5

4

3

2

1

PIN CONNECTION DIAGRAMS

• ICs

ADV7181CBS TZ	BD9329AFCJ-E2	BU94607KV	D70YE101BRF-P266 SIR9233ACTU
EN29L V3209B-70TIP	EP2C8F-256C8N	FHP3350M14X	KIA7805AP1 KIA7912P1
LA73050-TLME	LE25LB562M-TLME	LM19CZLF	M12L1281689A-5TQ2T
M12L64164A-5TG	M66003-0131FP-R	MF341S2164	MX29L V160DBIT-70G
NJM2505A NJM2889F-05	NJM2581M	NJM4565M (TE1)	NJM7812FA
			PCA9517DP
			PCM1681FPWR
PCMA210P-TR	R1172H121D-T1-F R1172HS01D-T1-F	R1172NS01D-TR-F	R1172SS331D-E2-F
RSF6416MADF-E	RP130Q181D-TR-F RP130Q331D-TR-F RP130Q501D-TR-F	SI1913ACTU	SI19185ACTU

• ICs

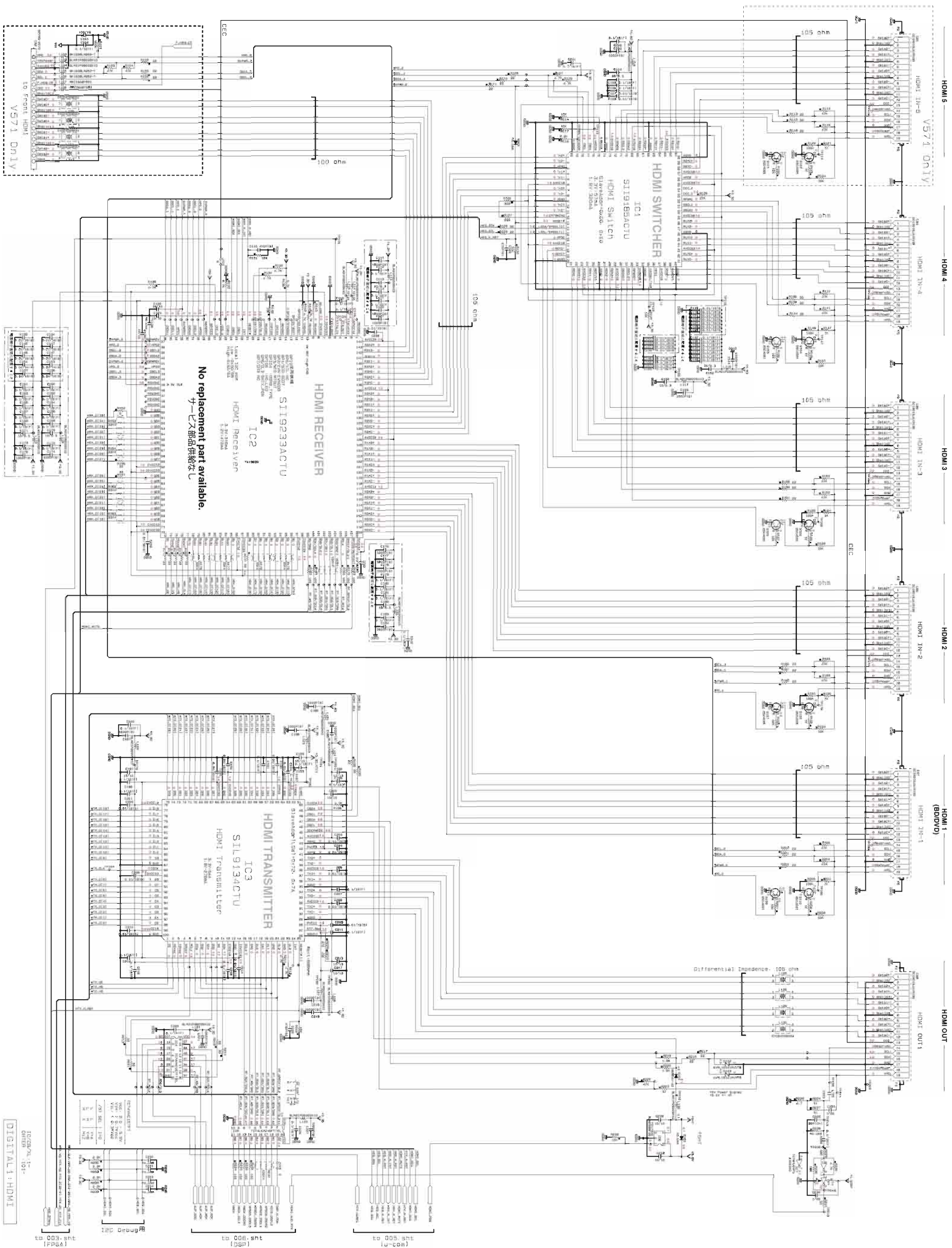
SN74LVC1G17DOKR	STK433-130K-E	STK433-330K-E	STR2A152	TC74HC051AFEL	TC74HC063AF	TC74LCX245FT
TC74VHC08FT TC74VHC04FT	TC74VHC157T	TC74VHC273FT (EL,K)	TC74VHC86FT (EL)	TC7SH08FU TC7SH32FU TC7SH125FU	TC7W14F	TC7WHD04FU
TL431ACLPR	TMD5141HHAR					

• Diodes

1N4003S 1SS133 1SS176 1SS270A	1SS355	D1FL20U-5063	DBL155G	HZU43B3 TRF-E	MTZ168C	RS501V-40
RB215T-90	RLZ39.0D 39.0V	RS203M-B-C-380	SARS05	TS9P03G 6.0A 200V	UDZ55-1B 5.1V UDZ512B 12V	

• Transistors

2NE401C-AT/P 2SA1015-Y	2NE551C-AT	2SA1576A	2SA1708	2SB1274	2SC1815 Y	2SC2412K	2SC4081 T106	2SD2704 K
DTA044EUBTL DTC014EUBTL DTC044EUBTL	DTA114EKA DTC114EKA DTC144EKA	KRA104S-RTK KRC102S-RTK	KTA1046-Y-U/P	KTC387SS	MCH6336-TL-E	μPA672T-T1-A		



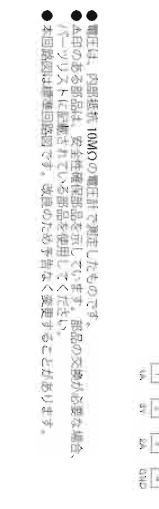
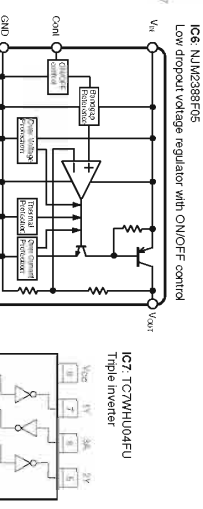
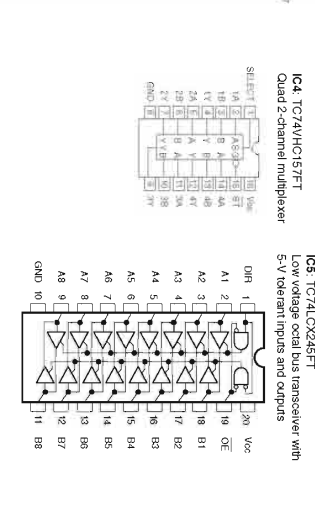
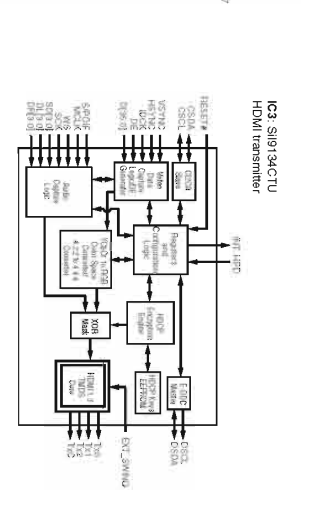
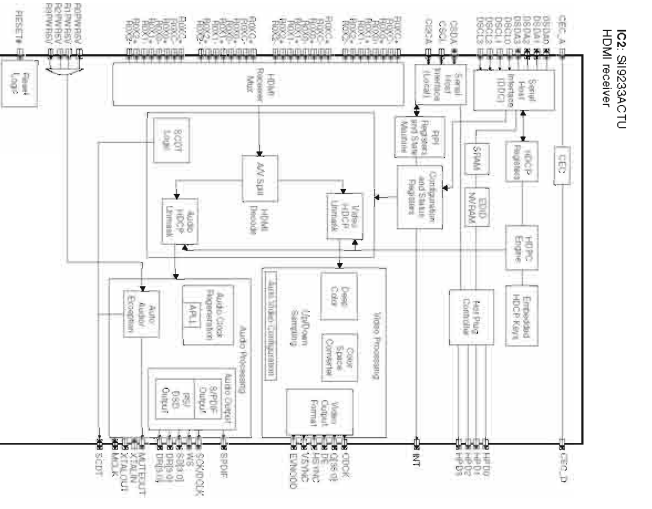
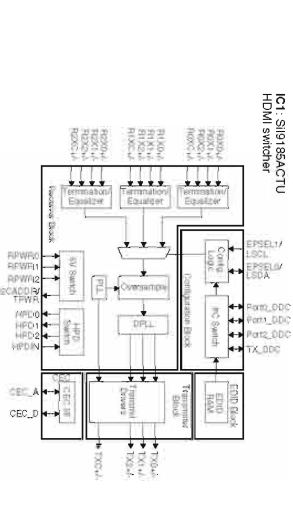
Page 94 [G7]
to DIGITAL (2) C942

NOTICE (Import)

- (1) U.S.A.
- (2) CANADA
- (3) MEXICO
- (4) U.K.
- (5) GERMANY
- (6) FRANCE
- (7) ITALY
- (8) SPAIN
- (9) PORTUGAL
- (10) SWITZERLAND
- (11) AUSTRIA
- (12) BELGIUM
- (13) DENMARK
- (14) FINLAND
- (15) GREECE
- (16) IRELAND
- (17) JAPAN
- (18) SOUTH KOREA
- (19) TAIWAN
- (20) THAILAND
- (21) HONG KONG
- (22) SINGAPORE
- (23) MALAYSIA
- (24) PHILIPPINES
- (25) AUSTRALIA
- (26) NEW ZEALAND
- (27) SOUTH AFRICA
- (28) INDIA
- (29) BRAZIL
- (30) ARGENTINA
- (31) CHILE
- (32) COLOMBIA
- (33) COSTA RICA
- (34) CUBA
- (35) DOMINICAN REPUBLIC
- (36) ECUADOR
- (37) EL SALVADOR
- (38) GUATEMALA
- (39) HONDURAS
- (40) NICARAGUA
- (41) PANAMA
- (42) PARAGUAY
- (43) PERU
- (44) PUERTO RICO
- (45) VENEZUELA

RESISTOR	PARTS MARK	RESISTANCE	PARTS MARK	RESISTANCE
R10	10K	10,000 Ω	R11	10K
R12	10K	10,000 Ω	R13	10K
R14	10K	10,000 Ω	R15	10K
R16	10K	10,000 Ω	R17	10K
R18	10K	10,000 Ω	R19	10K
R20	10K	10,000 Ω	R21	10K
R22	10K	10,000 Ω	R23	10K
R24	10K	10,000 Ω	R25	10K
R26	10K	10,000 Ω	R27	10K
R28	10K	10,000 Ω	R29	10K
R30	10K	10,000 Ω	R31	10K
R32	10K	10,000 Ω	R33	10K
R34	10K	10,000 Ω	R35	10K
R36	10K	10,000 Ω	R37	10K
R38	10K	10,000 Ω	R39	10K
R40	10K	10,000 Ω	R41	10K
R42	10K	10,000 Ω	R43	10K
R44	10K	10,000 Ω	R45	10K
R46	10K	10,000 Ω	R47	10K
R48	10K	10,000 Ω	R49	10K
R50	10K	10,000 Ω	R51	10K
R52	10K	10,000 Ω	R53	10K
R54	10K	10,000 Ω	R55	10K
R56	10K	10,000 Ω	R57	10K
R58	10K	10,000 Ω	R59	10K
R60	10K	10,000 Ω	R61	10K
R62	10K	10,000 Ω	R63	10K
R64	10K	10,000 Ω	R65	10K
R66	10K	10,000 Ω	R67	10K
R68	10K	10,000 Ω	R69	10K
R70	10K	10,000 Ω	R71	10K
R72	10K	10,000 Ω	R73	10K
R74	10K	10,000 Ω	R75	10K
R76	10K	10,000 Ω	R77	10K
R78	10K	10,000 Ω	R79	10K
R80	10K	10,000 Ω	R81	10K
R82	10K	10,000 Ω	R83	10K
R84	10K	10,000 Ω	R85	10K
R86	10K	10,000 Ω	R87	10K
R88	10K	10,000 Ω	R89	10K
R90	10K	10,000 Ω	R91	10K
R92	10K	10,000 Ω	R93	10K
R94	10K	10,000 Ω	R95	10K
R96	10K	10,000 Ω	R97	10K
R98	10K	10,000 Ω	R99	10K
R100	10K	10,000 Ω	R101	10K

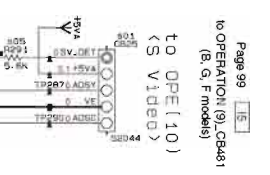
* All voltages are measured with a 100μV DC electronic voltmeter.
* Component values and characteristics are those of the original parts.
* Schematic diagram is subject to change without notice.



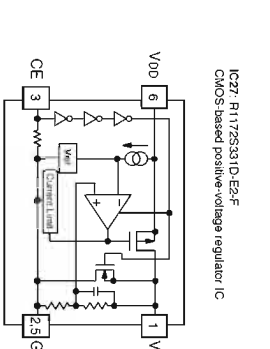
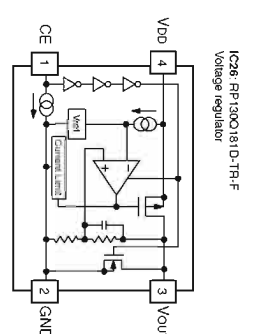
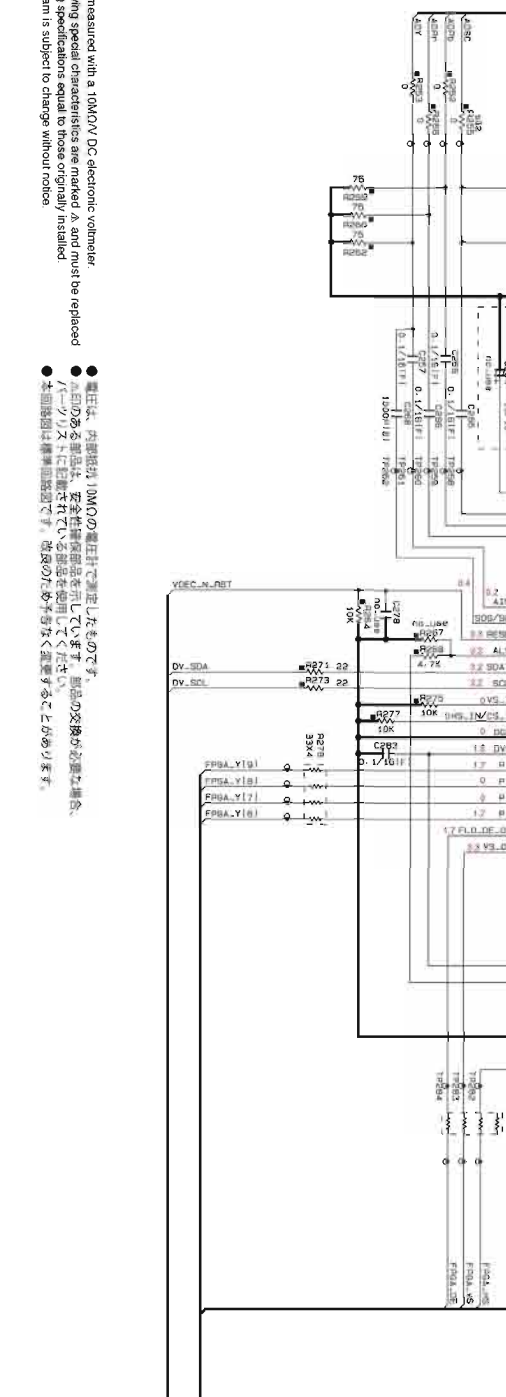
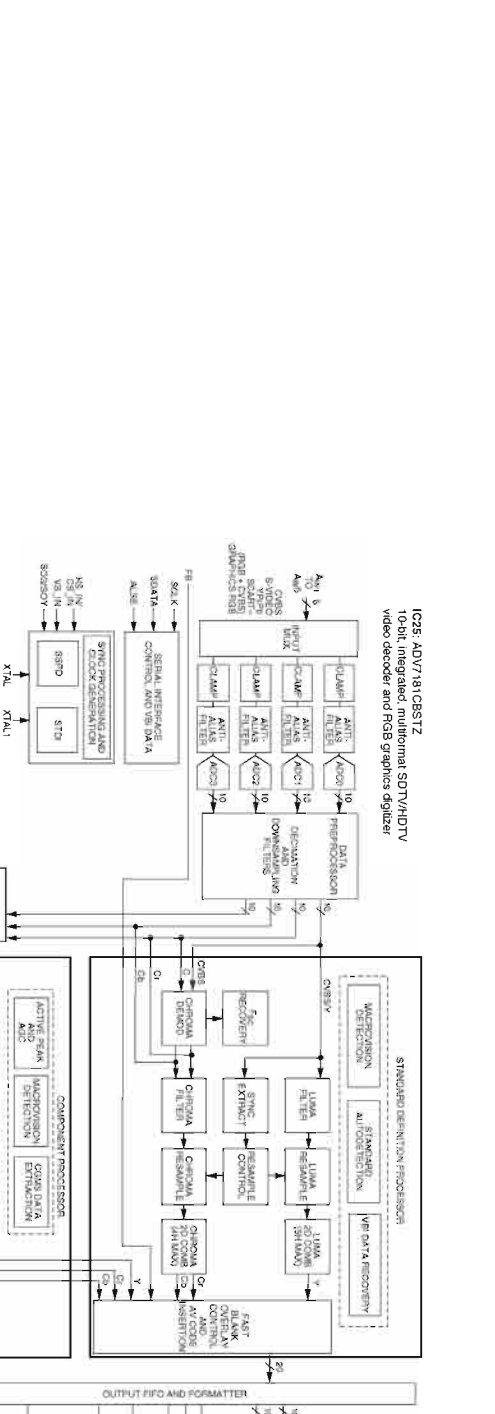
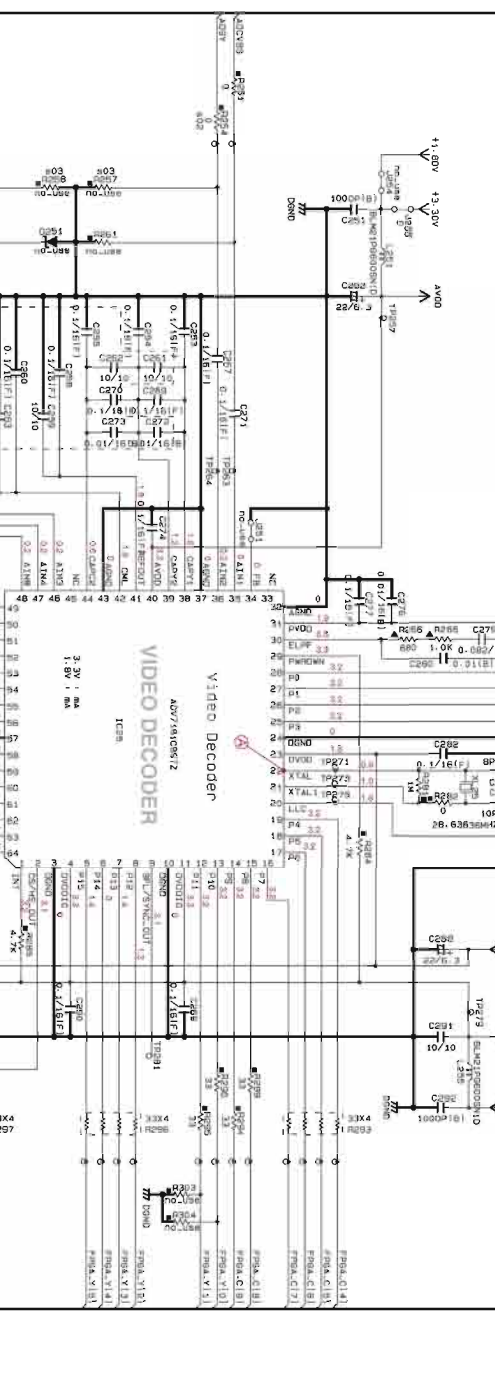
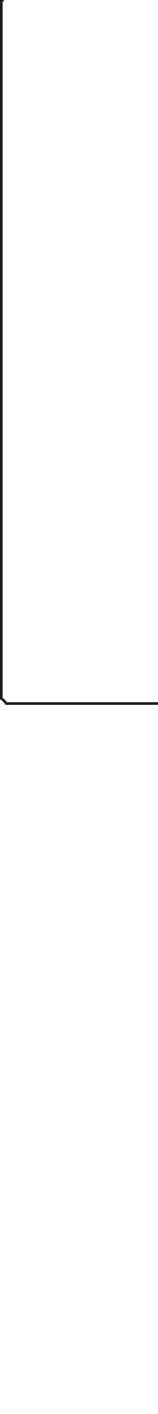
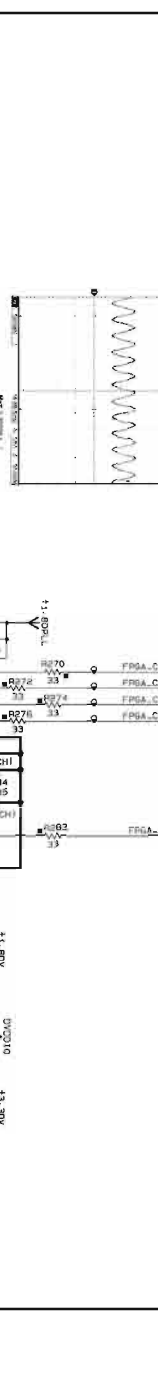
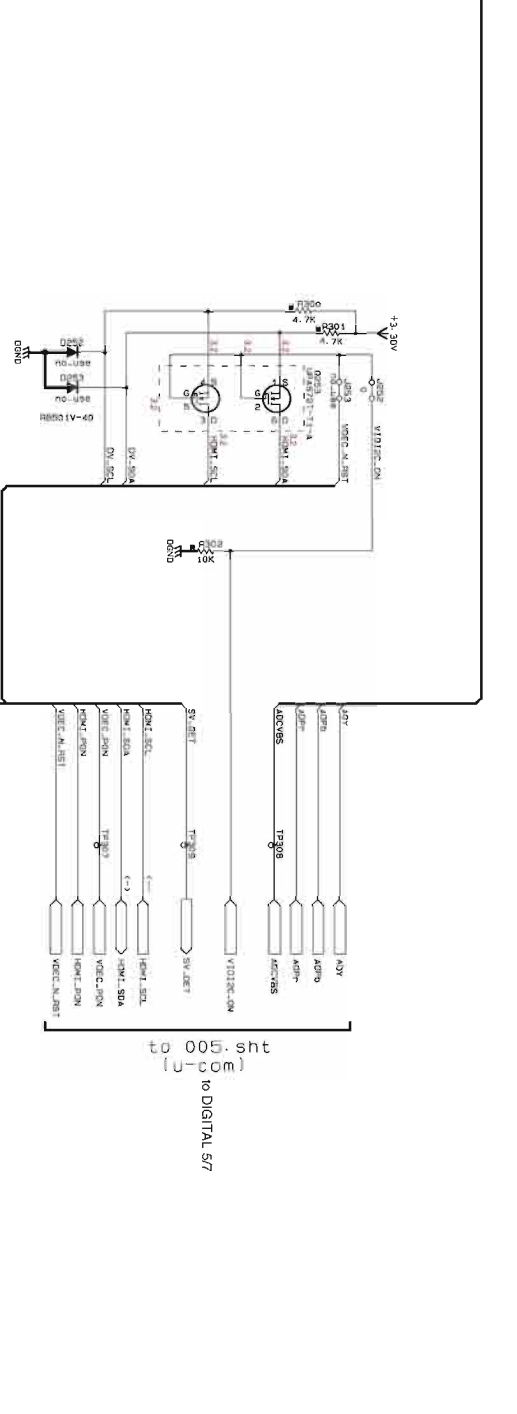
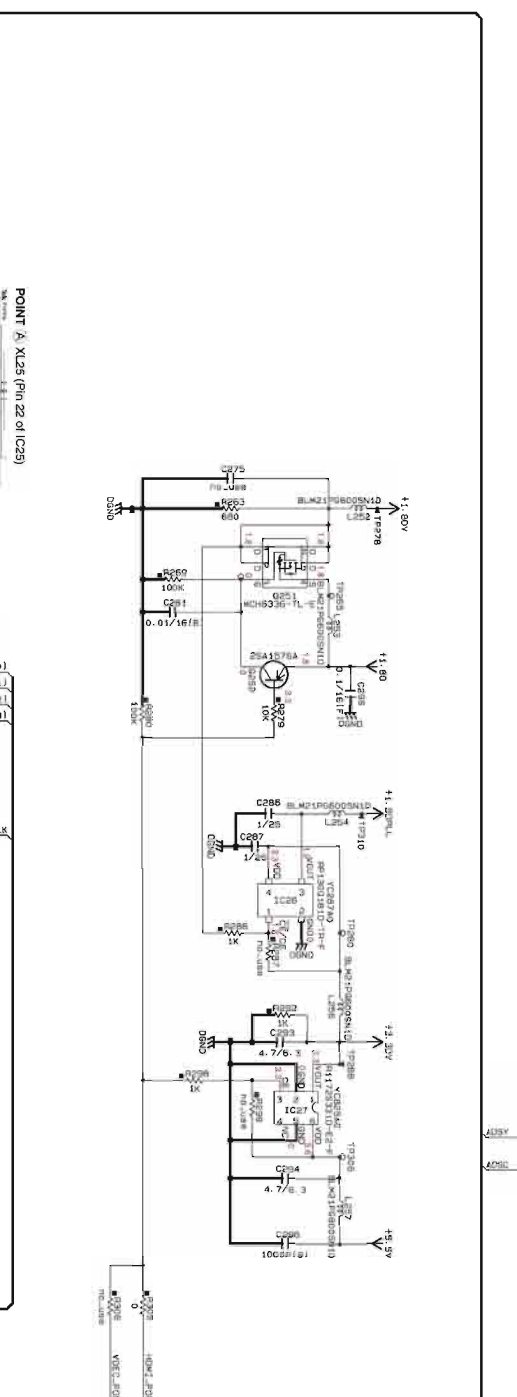
NOTICE (Ver.1.1)

1) JAPAN
 2) CHINA
 3) GENERAL
 4) KOREA
 5) MALAYSIA
 6) SINGAPORE
 7) SOUTH KOREA
 8) THAILAND
 9) TAIWAN
 10) USA
 11) SOUTH AMERICA
 12) BRAZIL

RESISTOR	PARTS NAME	FUNCTION
R101	10K	PULL-UP RESISTOR
R102	10K	PULL-UP RESISTOR
R103	10K	PULL-UP RESISTOR
R104	10K	PULL-UP RESISTOR
R105	10K	PULL-UP RESISTOR
R106	10K	PULL-UP RESISTOR
R107	10K	PULL-UP RESISTOR
R108	10K	PULL-UP RESISTOR
R109	10K	PULL-UP RESISTOR
R110	10K	PULL-UP RESISTOR
R111	10K	PULL-UP RESISTOR
R112	10K	PULL-UP RESISTOR
R113	10K	PULL-UP RESISTOR
R114	10K	PULL-UP RESISTOR
R115	10K	PULL-UP RESISTOR
R116	10K	PULL-UP RESISTOR
R117	10K	PULL-UP RESISTOR
R118	10K	PULL-UP RESISTOR
R119	10K	PULL-UP RESISTOR
R120	10K	PULL-UP RESISTOR
R121	10K	PULL-UP RESISTOR
R122	10K	PULL-UP RESISTOR
R123	10K	PULL-UP RESISTOR
R124	10K	PULL-UP RESISTOR
R125	10K	PULL-UP RESISTOR
R126	10K	PULL-UP RESISTOR
R127	10K	PULL-UP RESISTOR
R128	10K	PULL-UP RESISTOR
R129	10K	PULL-UP RESISTOR
R130	10K	PULL-UP RESISTOR
R131	10K	PULL-UP RESISTOR
R132	10K	PULL-UP RESISTOR
R133	10K	PULL-UP RESISTOR
R134	10K	PULL-UP RESISTOR
R135	10K	PULL-UP RESISTOR
R136	10K	PULL-UP RESISTOR
R137	10K	PULL-UP RESISTOR
R138	10K	PULL-UP RESISTOR
R139	10K	PULL-UP RESISTOR
R140	10K	PULL-UP RESISTOR
R141	10K	PULL-UP RESISTOR
R142	10K	PULL-UP RESISTOR
R143	10K	PULL-UP RESISTOR
R144	10K	PULL-UP RESISTOR
R145	10K	PULL-UP RESISTOR
R146	10K	PULL-UP RESISTOR
R147	10K	PULL-UP RESISTOR
R148	10K	PULL-UP RESISTOR
R149	10K	PULL-UP RESISTOR
R150	10K	PULL-UP RESISTOR
R151	10K	PULL-UP RESISTOR
R152	10K	PULL-UP RESISTOR
R153	10K	PULL-UP RESISTOR
R154	10K	PULL-UP RESISTOR
R155	10K	PULL-UP RESISTOR
R156	10K	PULL-UP RESISTOR
R157	10K	PULL-UP RESISTOR
R158	10K	PULL-UP RESISTOR
R159	10K	PULL-UP RESISTOR
R160	10K	PULL-UP RESISTOR
R161	10K	PULL-UP RESISTOR
R162	10K	PULL-UP RESISTOR
R163	10K	PULL-UP RESISTOR
R164	10K	PULL-UP RESISTOR
R165	10K	PULL-UP RESISTOR
R166	10K	PULL-UP RESISTOR
R167	10K	PULL-UP RESISTOR
R168	10K	PULL-UP RESISTOR
R169	10K	PULL-UP RESISTOR
R170	10K	PULL-UP RESISTOR
R171	10K	PULL-UP RESISTOR
R172	10K	PULL-UP RESISTOR
R173	10K	PULL-UP RESISTOR
R174	10K	PULL-UP RESISTOR
R175	10K	PULL-UP RESISTOR
R176	10K	PULL-UP RESISTOR
R177	10K	PULL-UP RESISTOR
R178	10K	PULL-UP RESISTOR
R179	10K	PULL-UP RESISTOR
R180	10K	PULL-UP RESISTOR
R181	10K	PULL-UP RESISTOR
R182	10K	PULL-UP RESISTOR
R183	10K	PULL-UP RESISTOR
R184	10K	PULL-UP RESISTOR
R185	10K	PULL-UP RESISTOR
R186	10K	PULL-UP RESISTOR
R187	10K	PULL-UP RESISTOR
R188	10K	PULL-UP RESISTOR
R189	10K	PULL-UP RESISTOR
R190	10K	PULL-UP RESISTOR
R191	10K	PULL-UP RESISTOR
R192	10K	PULL-UP RESISTOR
R193	10K	PULL-UP RESISTOR
R194	10K	PULL-UP RESISTOR
R195	10K	PULL-UP RESISTOR
R196	10K	PULL-UP RESISTOR
R197	10K	PULL-UP RESISTOR
R198	10K	PULL-UP RESISTOR
R199	10K	PULL-UP RESISTOR
R200	10K	PULL-UP RESISTOR



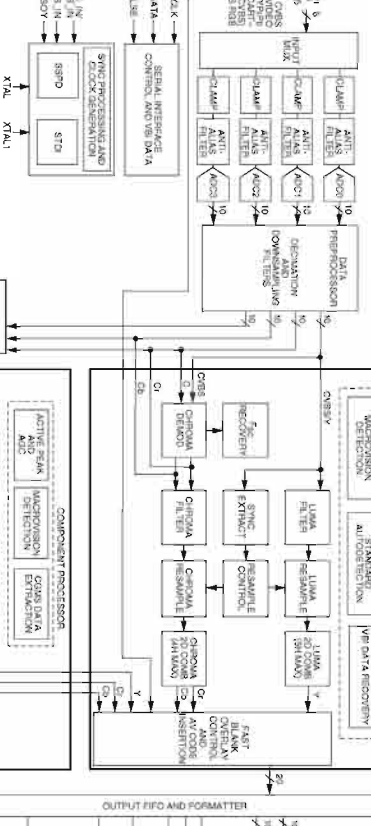
DIGITAL (1)



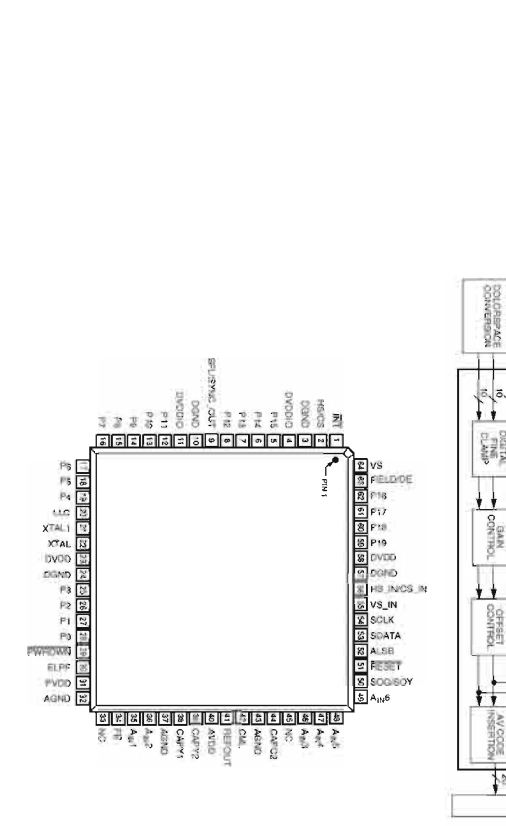
Pin No.	Symbol	Description
1	CE	Chip Enable (Pin-Kee)
2	GND	Ground Pin
3	VOUT	Output Pin
4	VDD	Input Pin

Pin No.	Symbol	Description
2.5	GND	Ground Pin
3	CE	Chip Enable Pin (Pin-Kee)
4	VDD	Input Pin
5	VOUT	Output Pin

IC25: ADV7181CBS1Z
 10-bit, integrated multistandard SQT/HD/TV
 video decoder and RGB graphics digiter

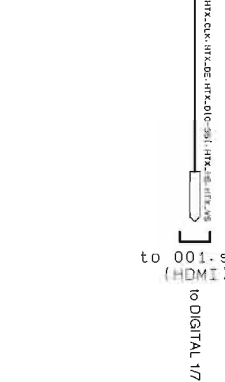
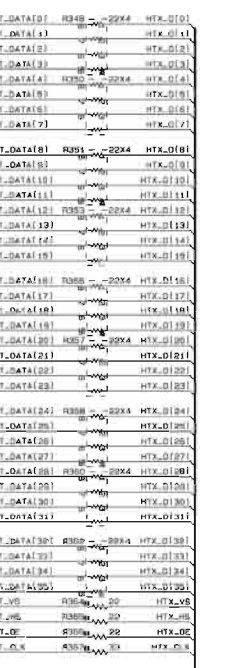
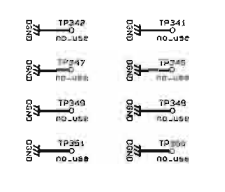
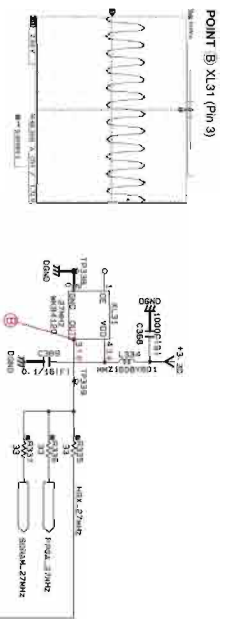


IC26/IC27: 251-
 DIGITAL 2: VDEC



IC26/IC27: 251-
 DIGITAL 2: VDEC

DIGITAL (1)



to DIGITAL 1/7
to 001.sht (HDMI)

to DIGITAL 2/7
to 002.sht (VDEC)

No replacement part available.
予て交換品供給なし

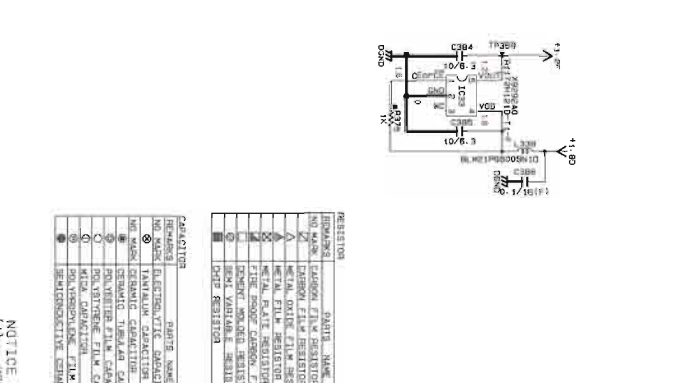
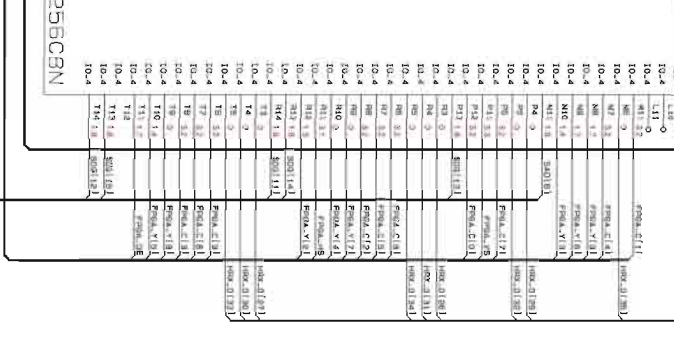
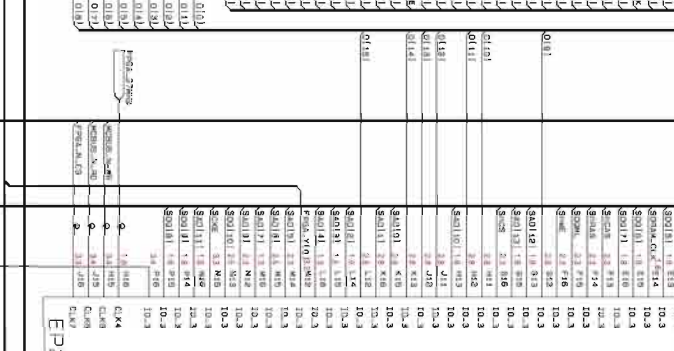
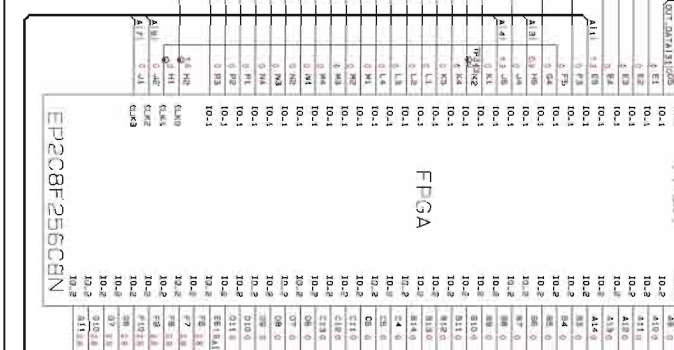
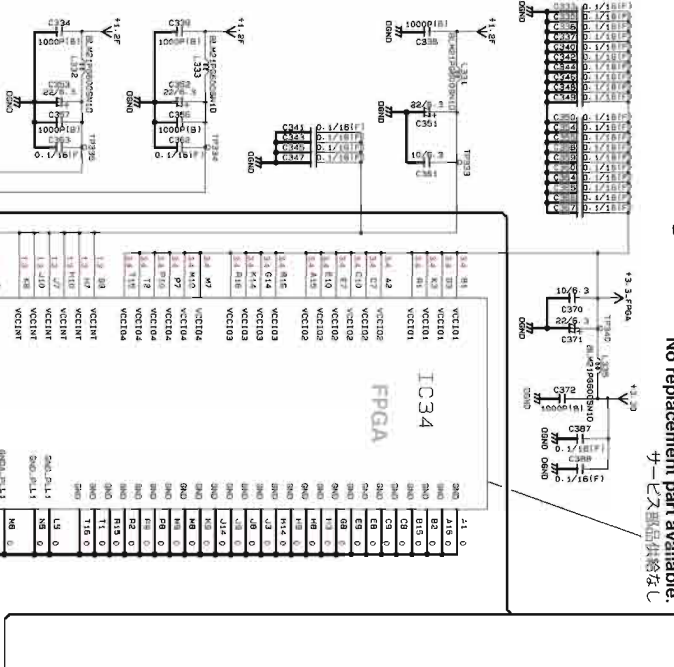
No replacement part available.
予て交換品供給なし

No replacement part available.
予て交換品供給なし

to 005.sht
to 006.sht (DIGITAL 5/7)

to 001.sht (HDMI)

to DIGITAL 1/7



RESISTOR	VALUE	NAME
R101	10K	RESISTOR
R102	10K	RESISTOR
R103	10K	RESISTOR
R104	10K	RESISTOR
R105	10K	RESISTOR
R106	10K	RESISTOR
R107	10K	RESISTOR
R108	10K	RESISTOR
R109	10K	RESISTOR
R110	10K	RESISTOR
R111	10K	RESISTOR
R112	10K	RESISTOR
R113	10K	RESISTOR
R114	10K	RESISTOR
R115	10K	RESISTOR
R116	10K	RESISTOR
R117	10K	RESISTOR
R118	10K	RESISTOR
R119	10K	RESISTOR
R120	10K	RESISTOR
R121	10K	RESISTOR
R122	10K	RESISTOR
R123	10K	RESISTOR
R124	10K	RESISTOR
R125	10K	RESISTOR
R126	10K	RESISTOR
R127	10K	RESISTOR
R128	10K	RESISTOR
R129	10K	RESISTOR
R130	10K	RESISTOR
R131	10K	RESISTOR
R132	10K	RESISTOR
R133	10K	RESISTOR
R134	10K	RESISTOR
R135	10K	RESISTOR
R136	10K	RESISTOR
R137	10K	RESISTOR
R138	10K	RESISTOR
R139	10K	RESISTOR
R140	10K	RESISTOR
R141	10K	RESISTOR
R142	10K	RESISTOR
R143	10K	RESISTOR
R144	10K	RESISTOR
R145	10K	RESISTOR
R146	10K	RESISTOR
R147	10K	RESISTOR
R148	10K	RESISTOR
R149	10K	RESISTOR
R150	10K	RESISTOR
R151	10K	RESISTOR
R152	10K	RESISTOR
R153	10K	RESISTOR
R154	10K	RESISTOR
R155	10K	RESISTOR
R156	10K	RESISTOR
R157	10K	RESISTOR
R158	10K	RESISTOR
R159	10K	RESISTOR
R160	10K	RESISTOR
R161	10K	RESISTOR
R162	10K	RESISTOR
R163	10K	RESISTOR
R164	10K	RESISTOR
R165	10K	RESISTOR
R166	10K	RESISTOR
R167	10K	RESISTOR
R168	10K	RESISTOR
R169	10K	RESISTOR
R170	10K	RESISTOR
R171	10K	RESISTOR
R172	10K	RESISTOR
R173	10K	RESISTOR
R174	10K	RESISTOR
R175	10K	RESISTOR
R176	10K	RESISTOR
R177	10K	RESISTOR
R178	10K	RESISTOR
R179	10K	RESISTOR
R180	10K	RESISTOR
R181	10K	RESISTOR
R182	10K	RESISTOR
R183	10K	RESISTOR
R184	10K	RESISTOR
R185	10K	RESISTOR
R186	10K	RESISTOR
R187	10K	RESISTOR
R188	10K	RESISTOR
R189	10K	RESISTOR
R190	10K	RESISTOR
R191	10K	RESISTOR
R192	10K	RESISTOR
R193	10K	RESISTOR
R194	10K	RESISTOR
R195	10K	RESISTOR
R196	10K	RESISTOR
R197	10K	RESISTOR
R198	10K	RESISTOR
R199	10K	RESISTOR
R200	10K	RESISTOR

NOTICE (cont.)

(1) JAPAN

(2) CHINA

(3) SOUTH KOREA

(4) HONG KONG

(5) TAIWAN

(6) THAILAND

(7) MALAYSIA

(8) PHILIPPINES

(9) SINGAPORE

(10) AUSTRALIA

(11) NEW ZEALAND

(12) SOUTH AFRICA

(13) INDIA

(14) ISRAEL

(15) BRAZIL

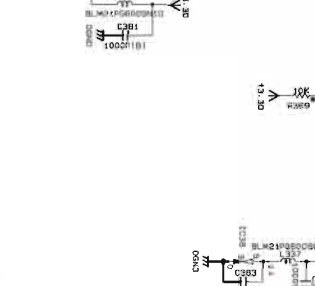
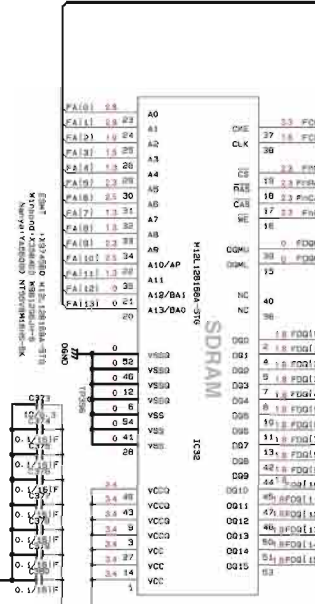
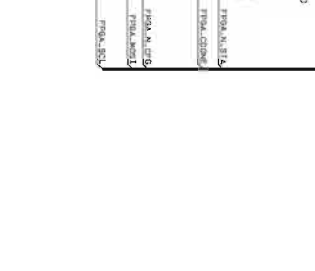
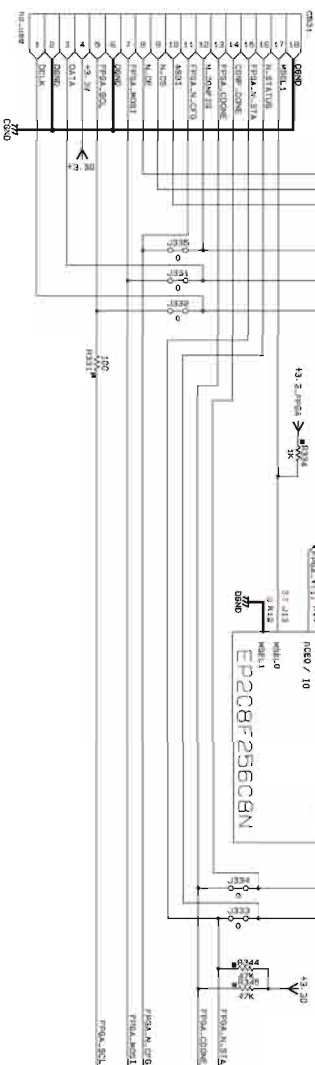
(16) MEXICO

(17) CANADA

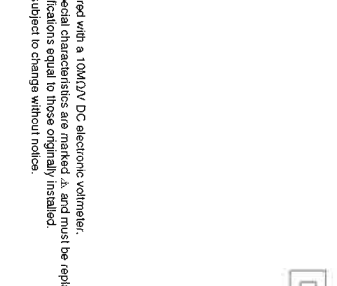
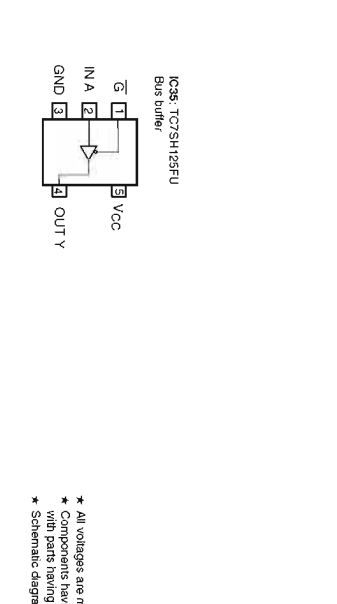
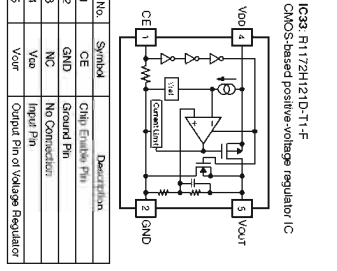
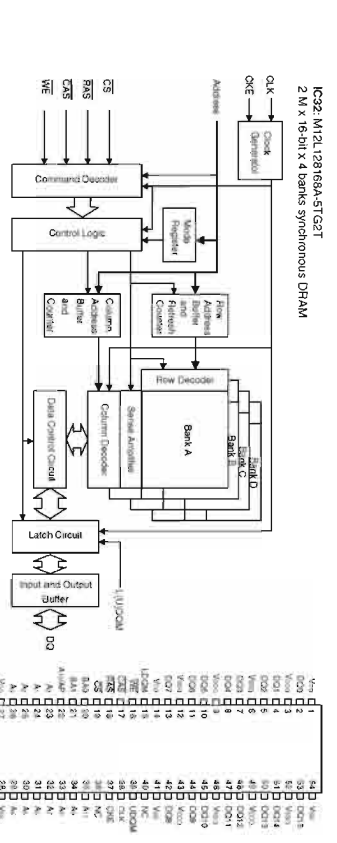
(18) USA

(19) EUROPE

(20) OTHER



DIGITAL3: FPGA



IC/GB/XL1-1-
OTHER : 331-

DIGITAL3: FPGA

1. All voltages are measured with a 10MΩV DC electronic voltmeter.

2. Component values and data are approximate values and may be replaced with parts having specifications equal to those originally installed.

3. Schematic diagram is subject to change without notice.

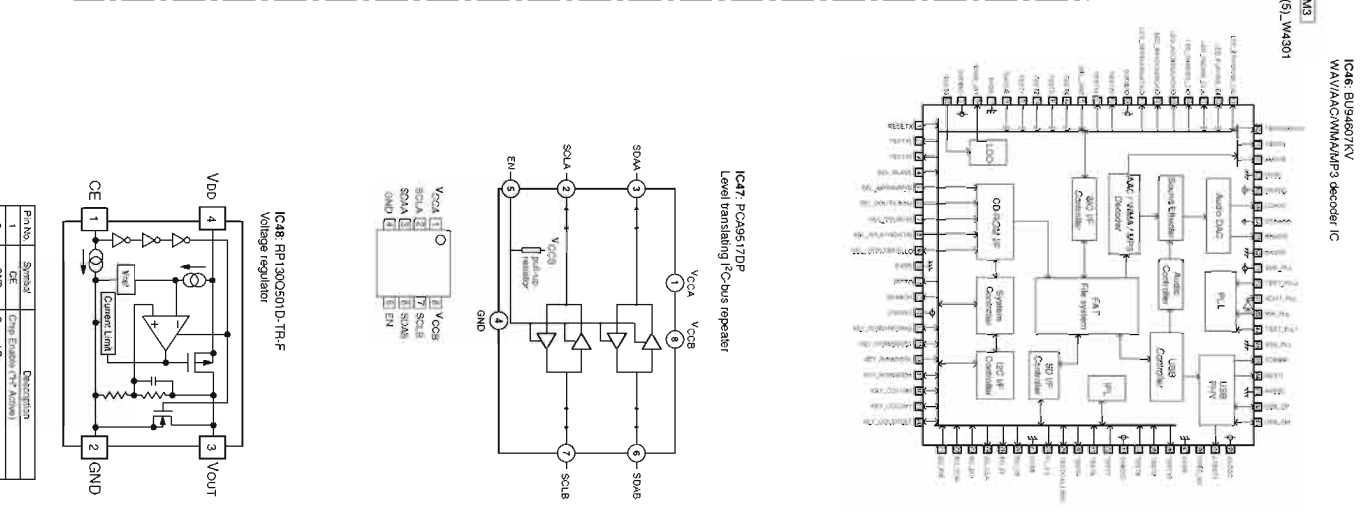
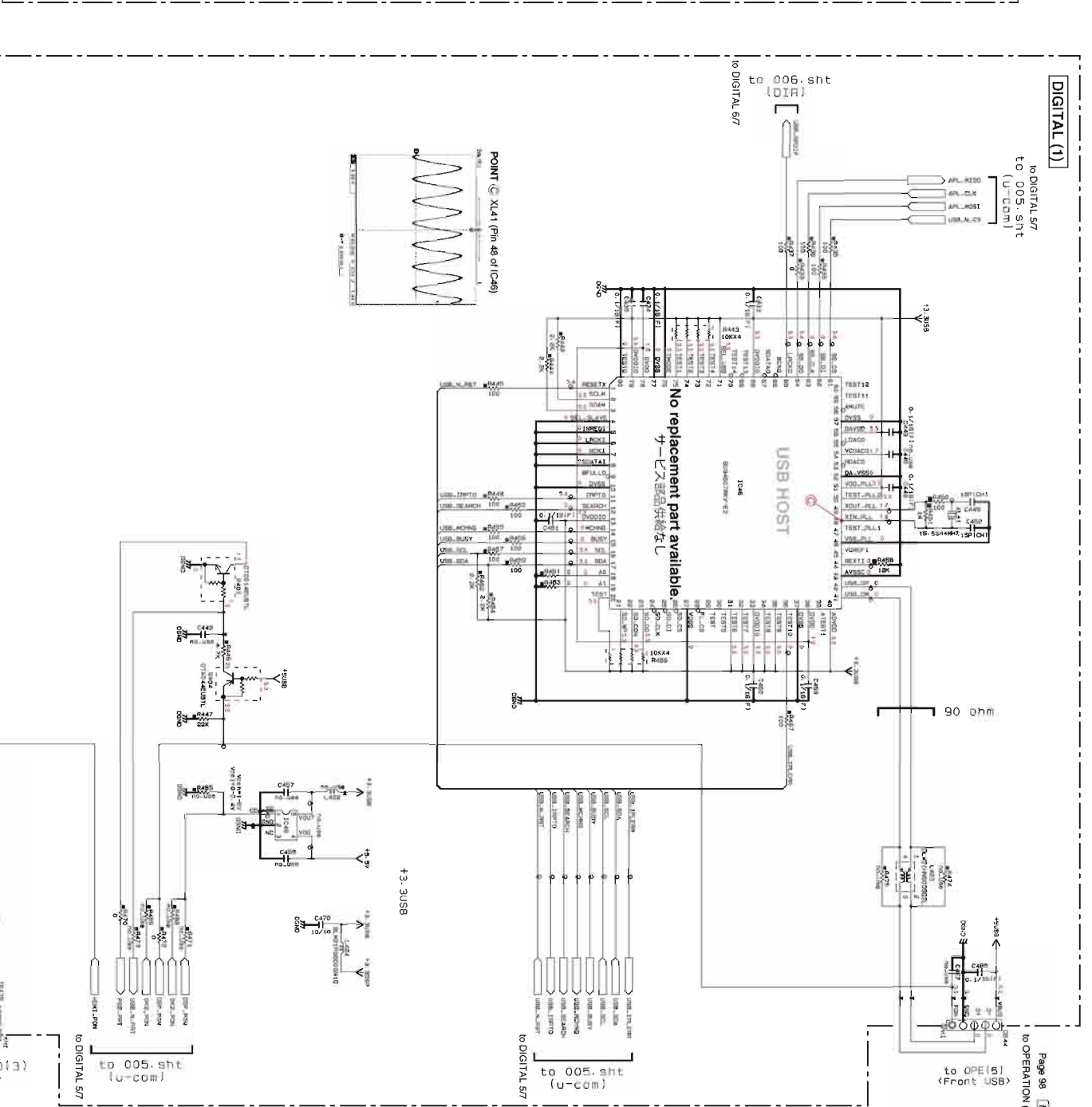
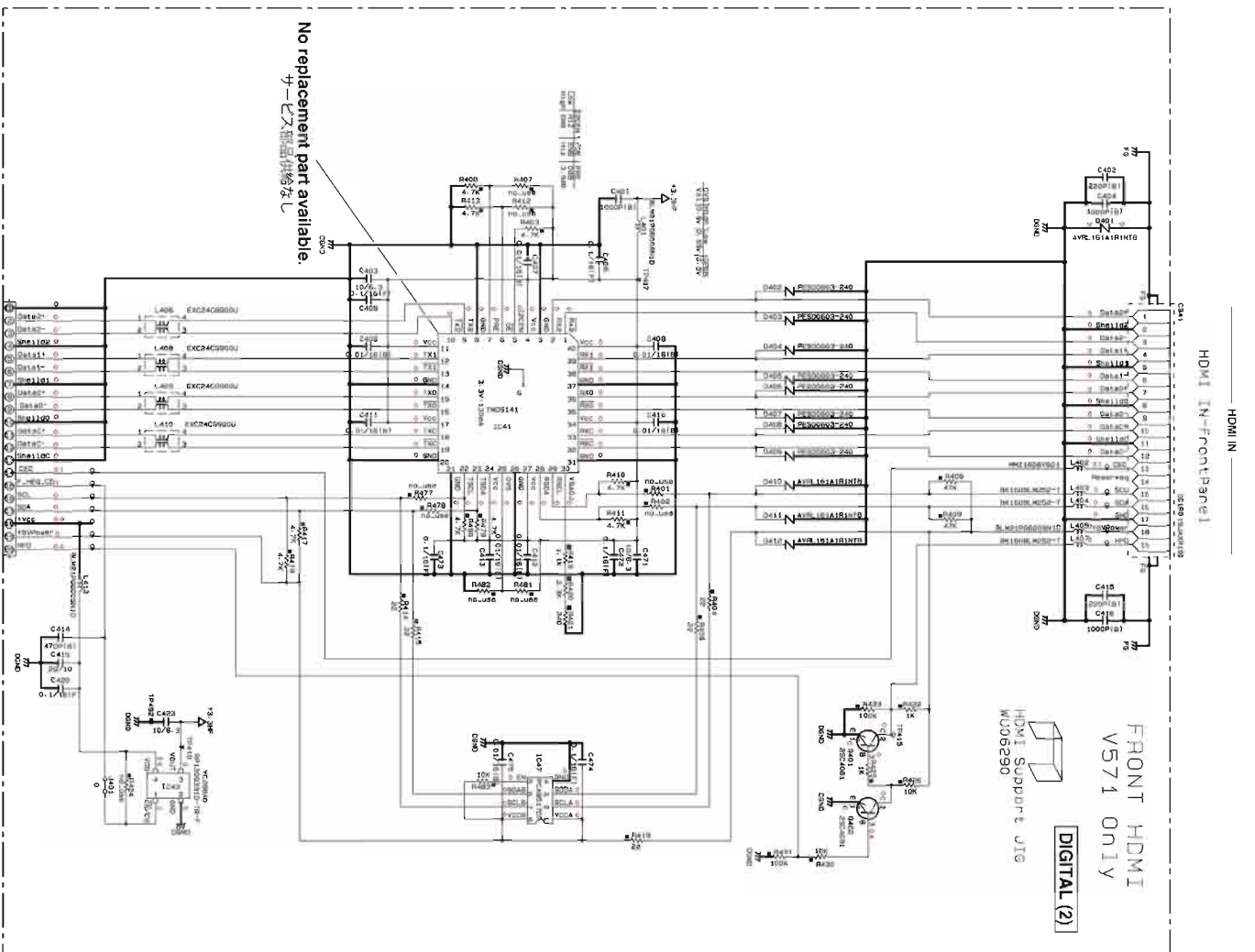
● 電圧は、10MΩV DCの電子電圧計で測定したものです。

● 部品値は、概算値であり、同等の仕様品に置き換えることができます。

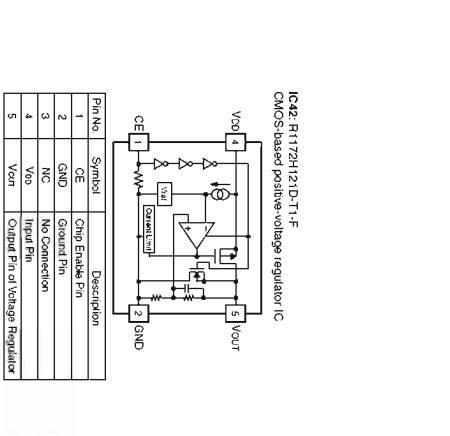
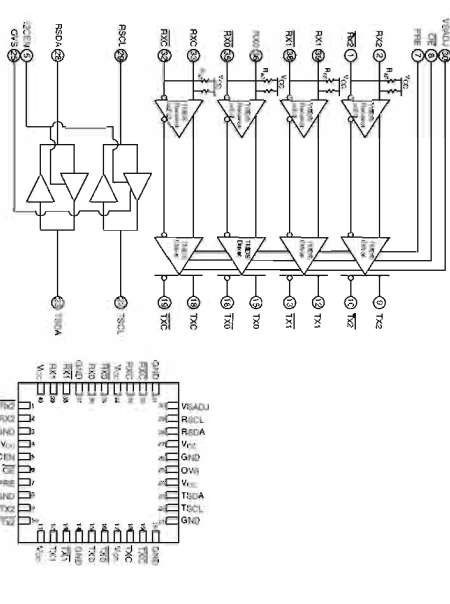
● すべての電圧値は、10MΩV DCの電子電圧計で測定したものです。

● 部品値は、概算値であり、同等の仕様品に置き換えることができます。

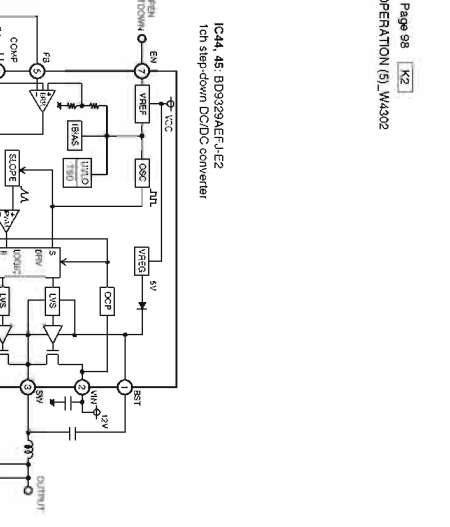
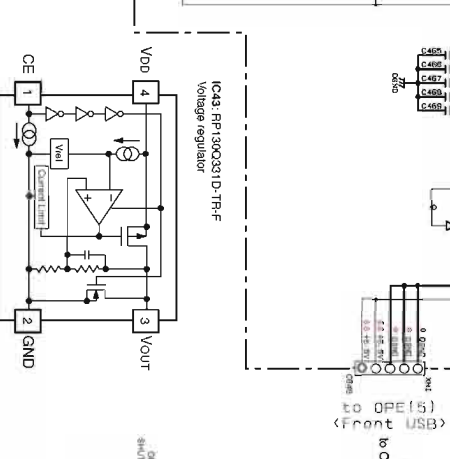
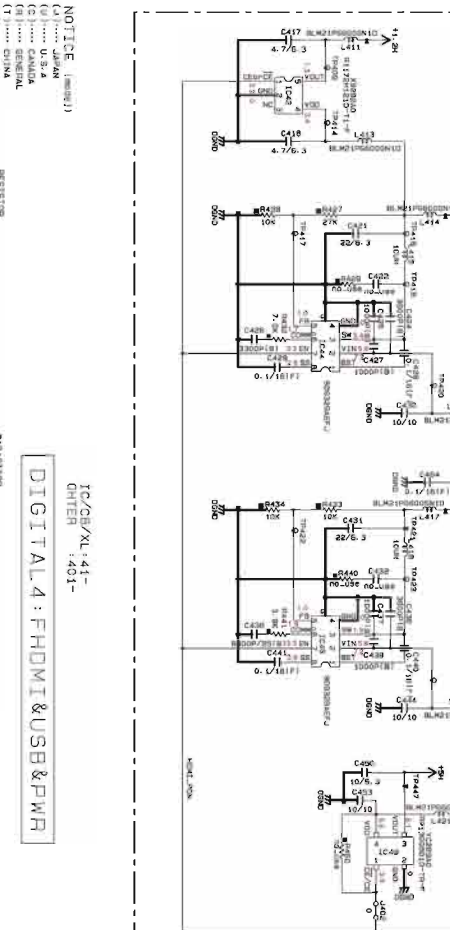
● 本図面は、仕様変更の可能性があります。変更なしと断言できません。



Pin No.	Symbol	Description
1	CE	Chip Enable Pin
2	GND	Ground Pin
3	Vout	Output Pin
4	Vin	Input Pin



Pin No.	Symbol	Description
1	CE	Chip Enable Pin
2	GND	Ground Pin
3	NC	No Connection
4	V00	Input Pin
5	Vout	Output Pin of Voltage Regulator



Pin No.	Symbol	Description
1	CE	Chip Enable Pin
2	GND	Ground Pin
3	V00	Output Pin
4	V01	Input Pin

Pin No.	Symbol	Description
1	CE	Chip Enable Pin
2	GND	Ground Pin
3	V00	Output Pin
4	V01	Input Pin

* All voltages are measured with a 10MΩV DC electronic voltmeter.
 * With parts having specifications equal to those originally installed.
 * Schematic diagram is subject to change without notice.

● 電圧は、10MΩVの電圧計で測定したものです。
 ● 部品が元の仕様と同等のものに交換された場合、
 ● 電圧は、元の仕様と同等のものに交換された場合、
 ● 本図は仕様変更を伴う場合があります。

DIGITAL 5/7

to DIGITAL 1/7
to 001_sht
(HDMI 1)

to DIGITAL 2/7
to 002_sht
(VDEC)

to DIGITAL 4/7
to 004_sht
(USB)

to DIGITAL 3/7
to 003_sht
(FGA)
(FPGA)

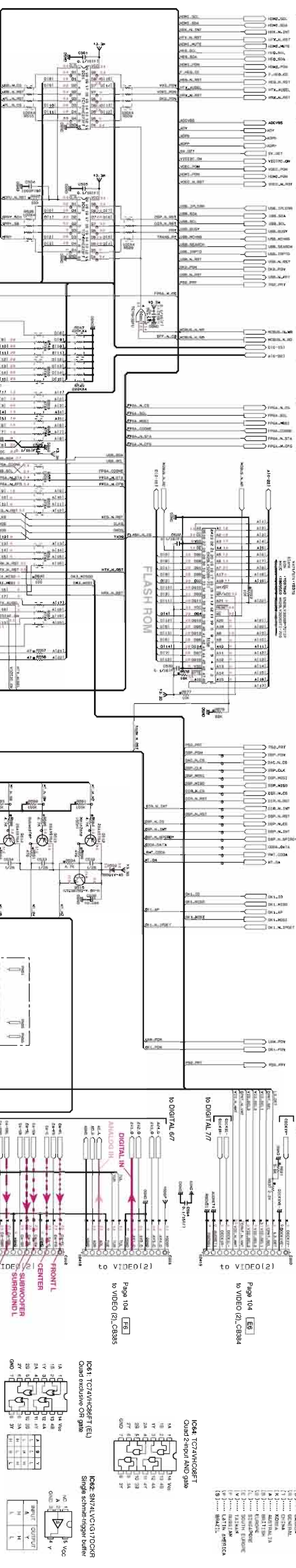
to DIGITAL 6/7
to 005_sht
(ISP)

to DIGITAL 7/7
to 007_sht
(LOCK1)

Table with columns: REFERENCE, PART NAME, FUNCTION, QUANTITY, UNIT, and LOCATION. It lists various electronic components and their locations on the board.

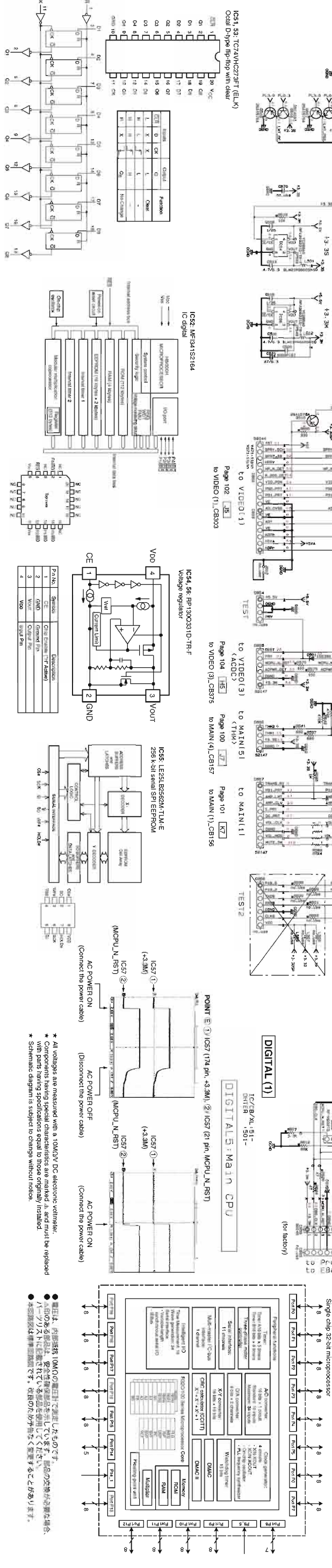
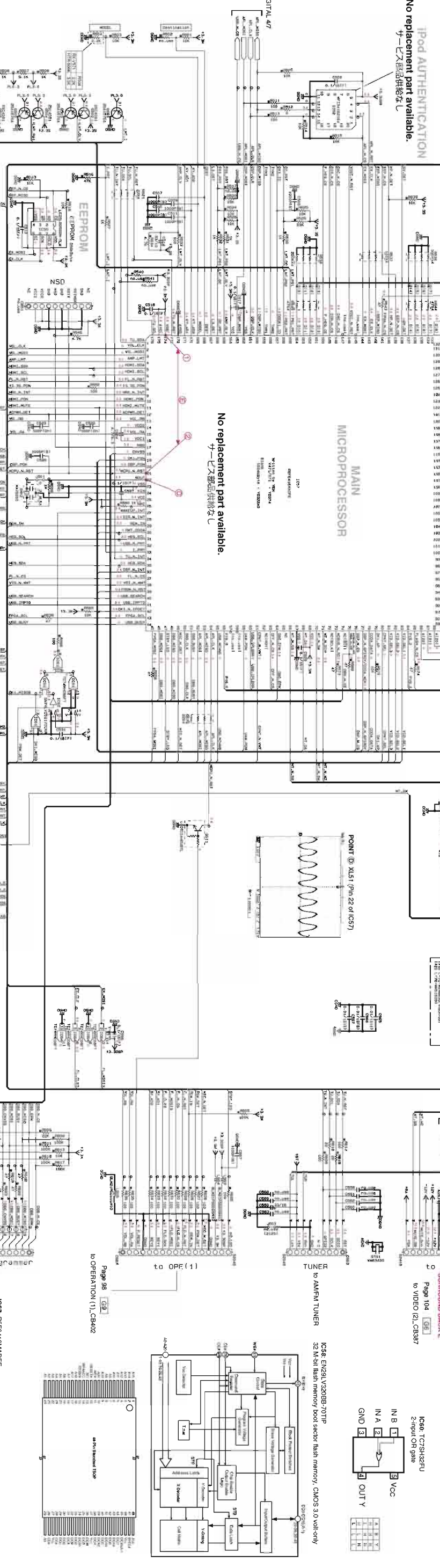
NOTICE (cont'd)

- 1) JAPAN
2) CHINA
3) EUROPE
4) NORTH AMERICA
5) SOUTH AMERICA
6) LATIN AMERICA
7) BRAZIL



ipod AUTHENTICATION
No replacement part available.
カーニス部品提供なし

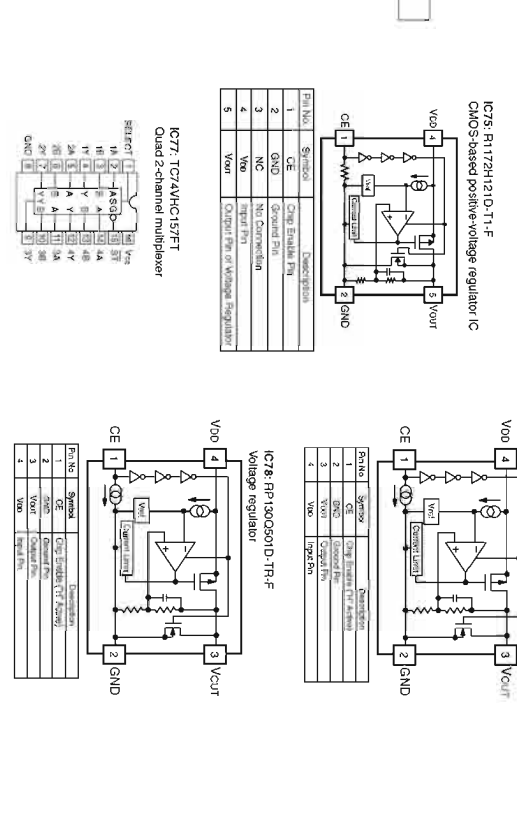
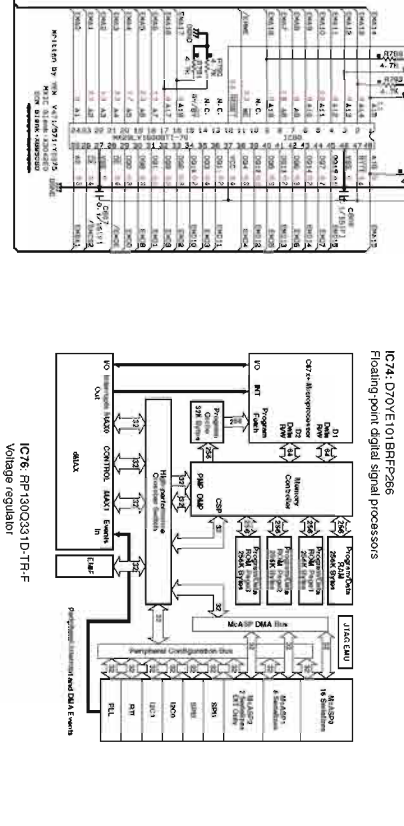
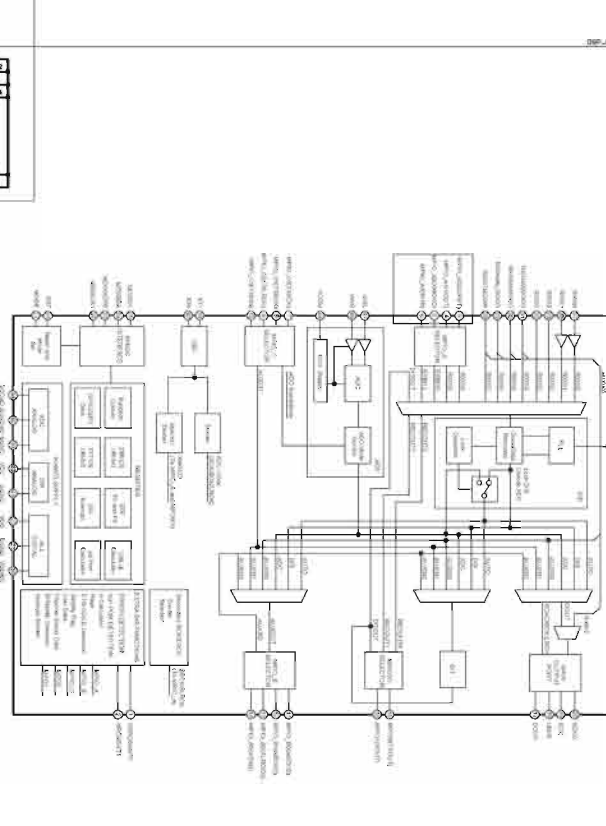
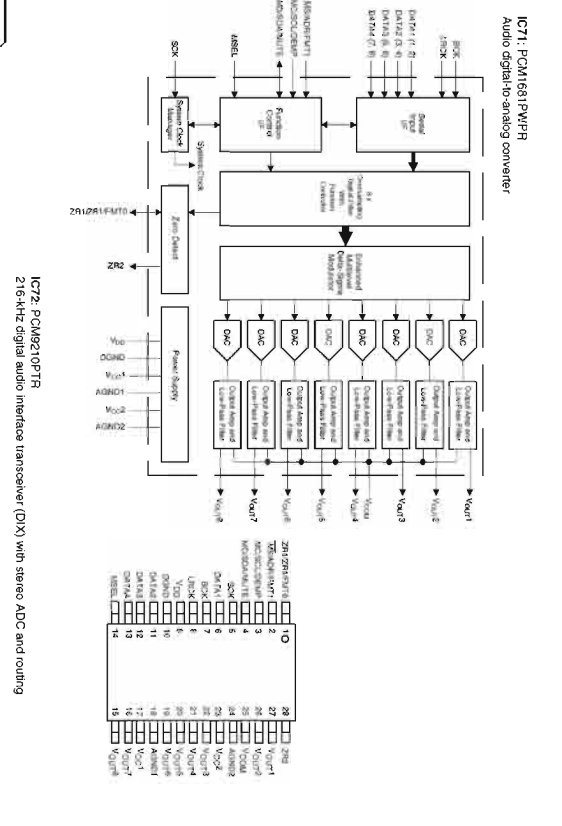
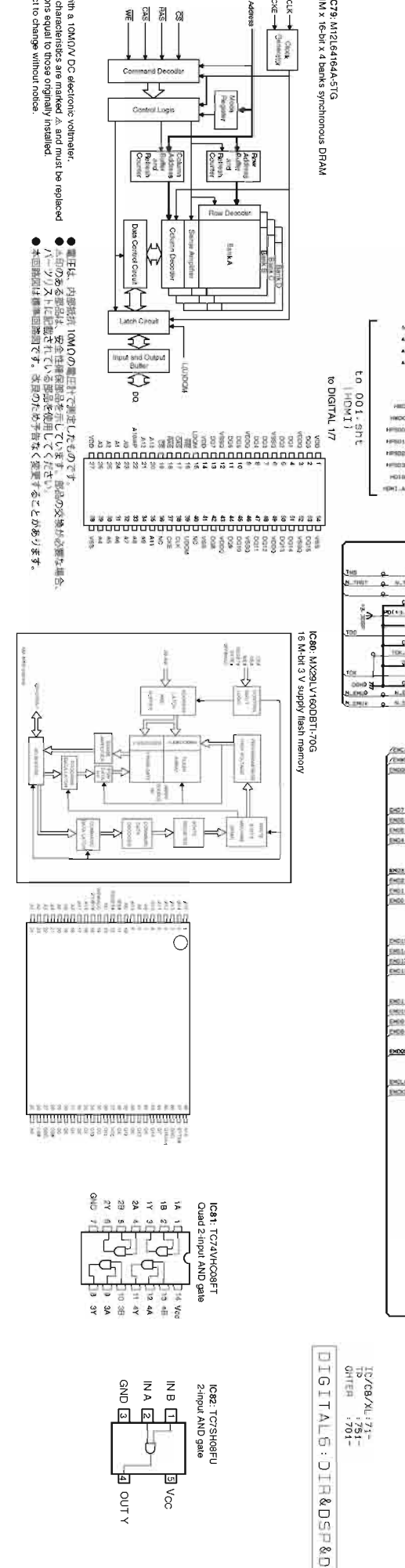
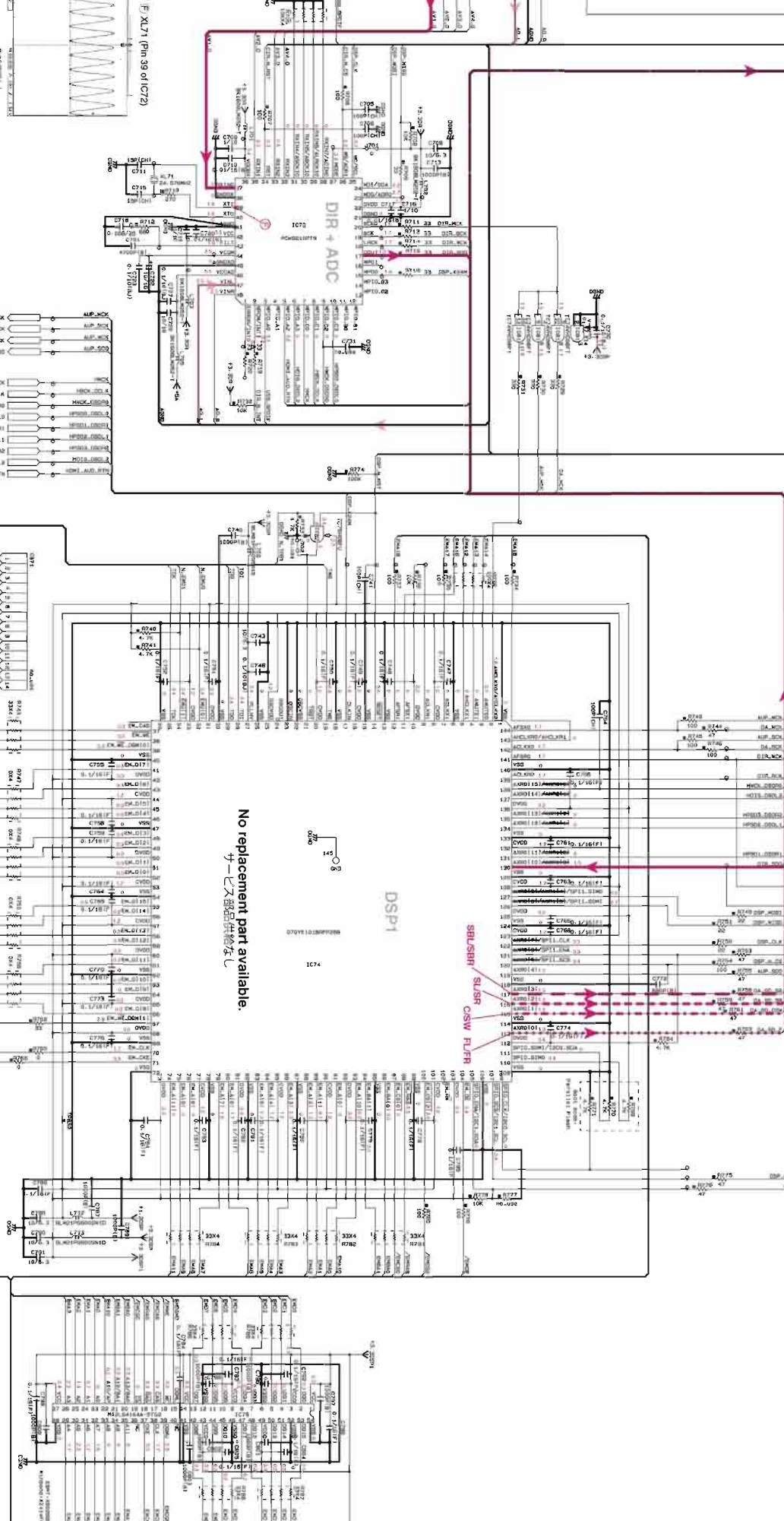
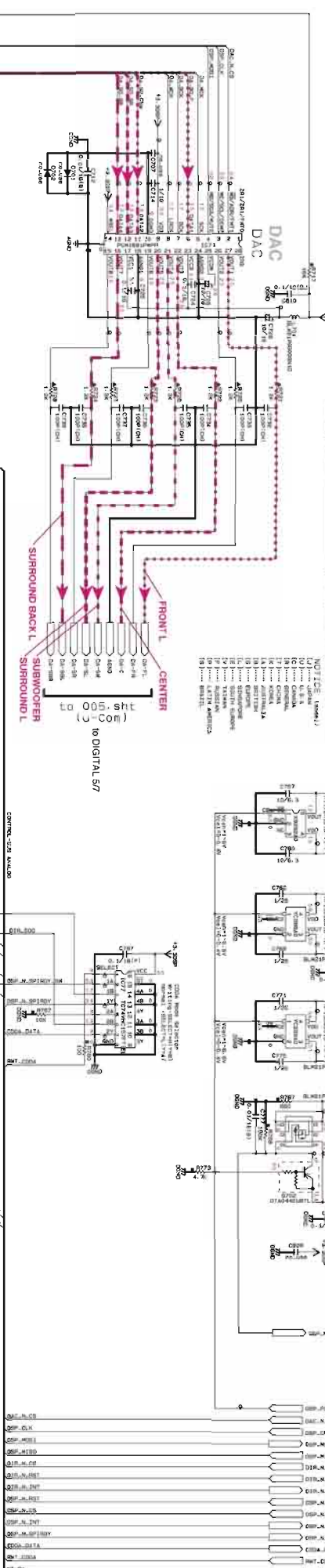
MAIN MICROPROCESSOR
No replacement part available.
カーニス部品提供なし



DIGITAL (1) IC7B/XL51-DHTR 1501- (to factory)
DIGITALS: Main CPU
IC57: RSR418MADFE Single chip 32-bit microprocessor
IC58: E291V230B8-70TP 32 Mbit flash memory boot sector flash memory CMOS 3.0 volt-only to AM/FM TUNER

- 電圧は、各部品仕様 (100V) の電圧に一致させる必要があります。電圧の不一致は発熱の原因となり、故障の原因となります。
● 本図に示す部品は、必ずしも最新型ではありません。同等品を使用しても構いません。
● 本図に示す部品は、必ずしも最新型ではありません。同等品を使用しても構いません。
● 本図に示す部品は、必ずしも最新型ではありません。同等品を使用しても構いません。

DIGITAL (1)

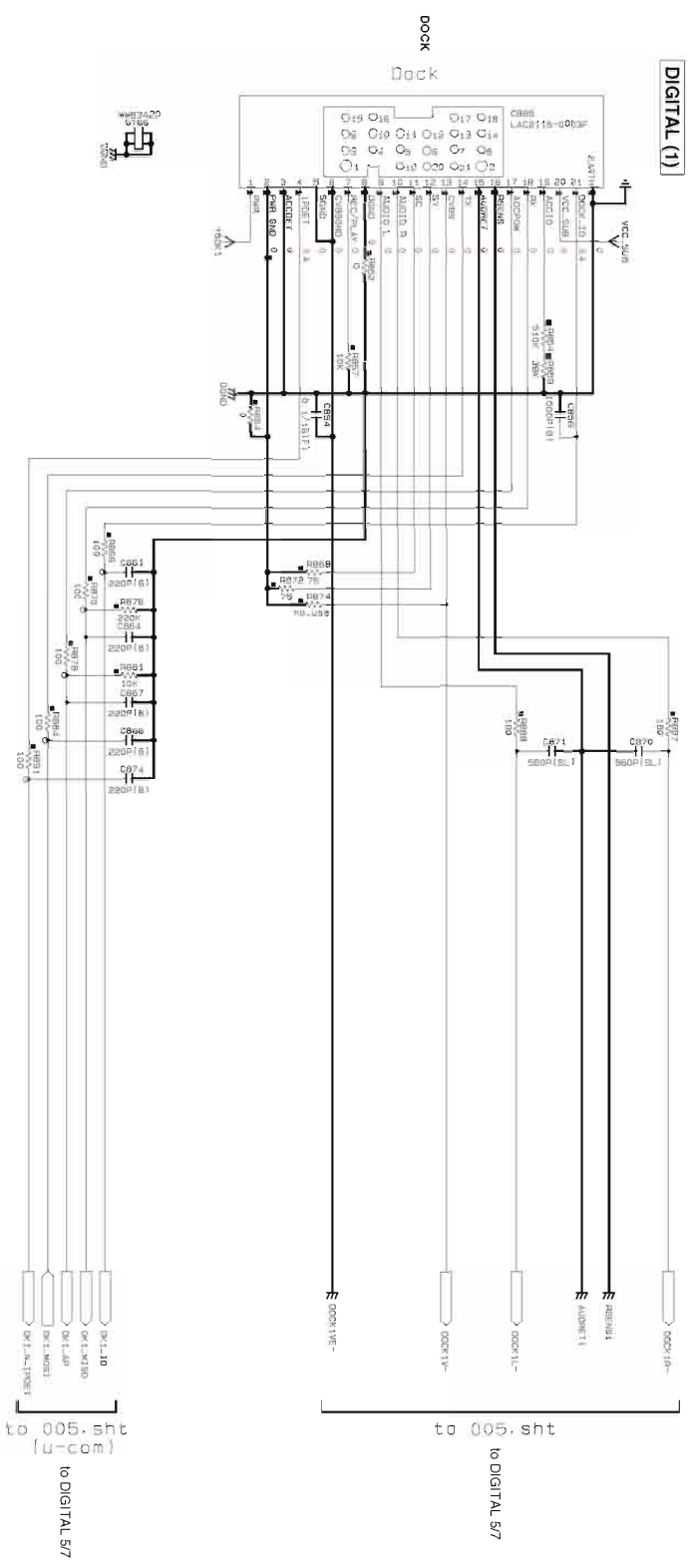


* All voltages are measured with a 10kΩ V_{DC} electronic voltmeter.
 * All voltages are measured with a 10kΩ V_{DC} electronic voltmeter.
 * With parts having specifications equal to those originally installed.
 * Schematic diagram is subject to change without notice.

● 電圧は、10kΩの電圧降下抵抗を付した状態で測定します。
 ● 10kΩ以上の抵抗値の交換が必要となる場合があります。
 ● 本図は仕様変更を伴う場合があります。図面の変更は通知されずに行われます。

DIGITAL 7/7

DIGITAL (1)

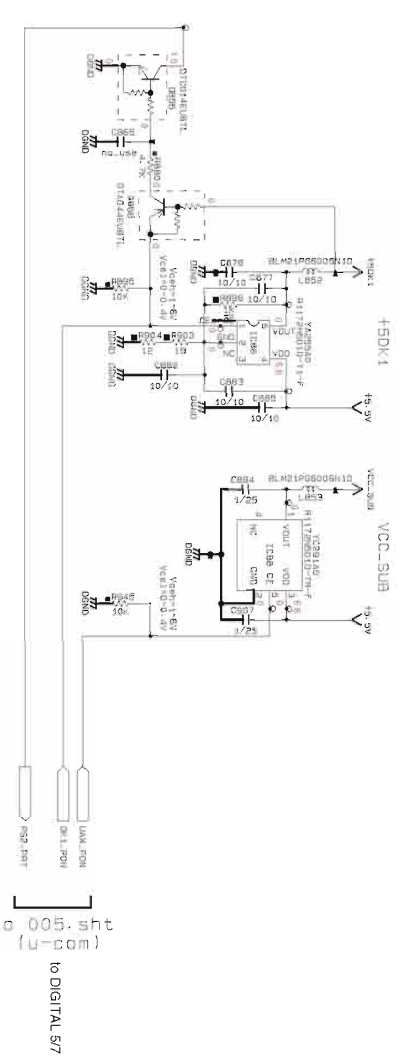


Distinction Part List

Part No.	Use	Part Name	Quantity
81	USE	ACTIVE	1
82	USE	ACTIVE	1
83	USE	ACTIVE	1
84	USE	ACTIVE	1

NOTICE [page 11]

(J) ... JAPAN
 (U) ... U.S.A.
 (C) ... CANADA
 (R) ... GENERAL
 (T) ... CHINA
 (K) ... KOREA
 (A) ... AUSTRALIA
 (B) ... BRITISH
 (G) ... EUROPE
 (L) ... SINGAPORE
 (E) ... SOUTH EUROPE
 (V) ... TAIWAN
 (F) ... RUSSIAN
 (P) ... LATIN AMERICA
 (S) ... BRAZIL



CAPACITOR

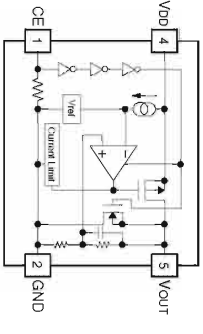
Part No.	Part Name
85	ELECTROLYTIC CAPACITOR
86	TANTALUM CAPACITOR
87	CERAMIC CAPACITOR
88	SOLVENT RESISTOR
89	SOLVENT RESISTOR
90	MILTA CAPACITOR
91	SOLVENT RESISTOR
92	SEMICONDUCTIVE CERAMIC CAPACITOR
93	POLYMER FILM SOLVENT RESISTOR

RESISTOR

Part No.	Part Name
94	CARBON FILM RESISTOR (P=4)
95	CARBON FILM RESISTOR (P=10)
96	METAL OXIDE RESISTOR
97	METAL OXIDE RESISTOR
98	THIN FILM CARBON FILM RESISTOR
99	CERAMIC NETWORK RESISTOR
100	SEMICONDUCTIVE RESISTOR

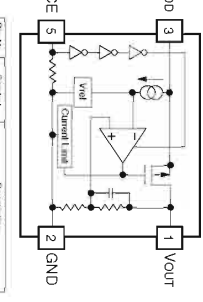
IC/CR/XL+BS-TP:RS1-DHTER:RS1-DIGITAL7:DOCK

IC88:R1172H501-DT1-F Voltage regulator



Pin No.	Symbol	Description
1	VCC_3V3	Chip Enable Pin (T+Active)
2	GND	Ground Pin
3	VOUT	No Connection
4	VCC_1V8	Input Pin
5	VOUT	Output Pin

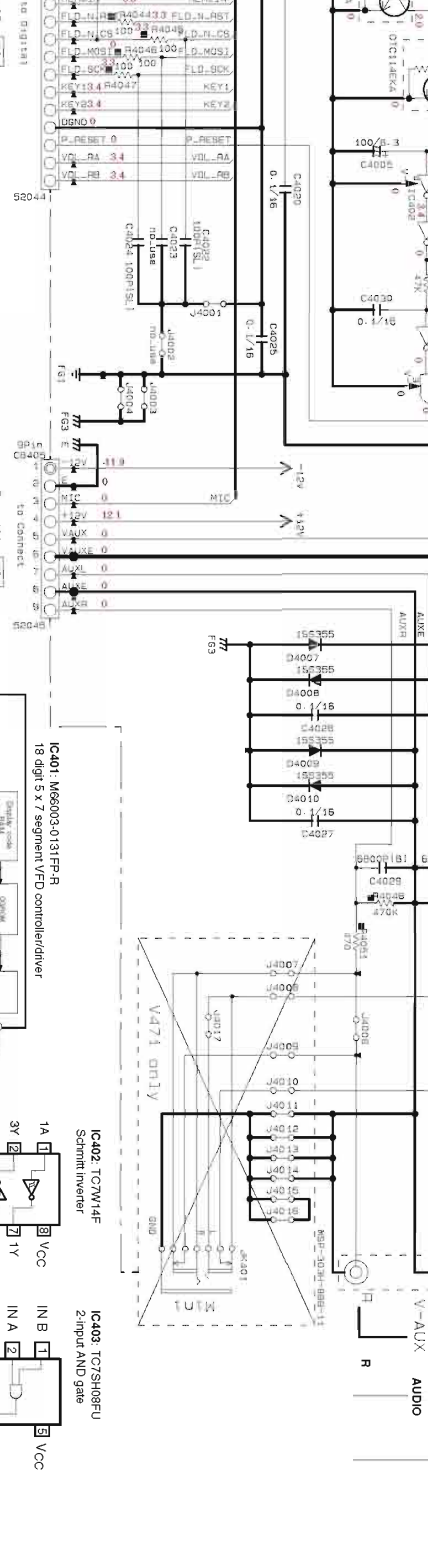
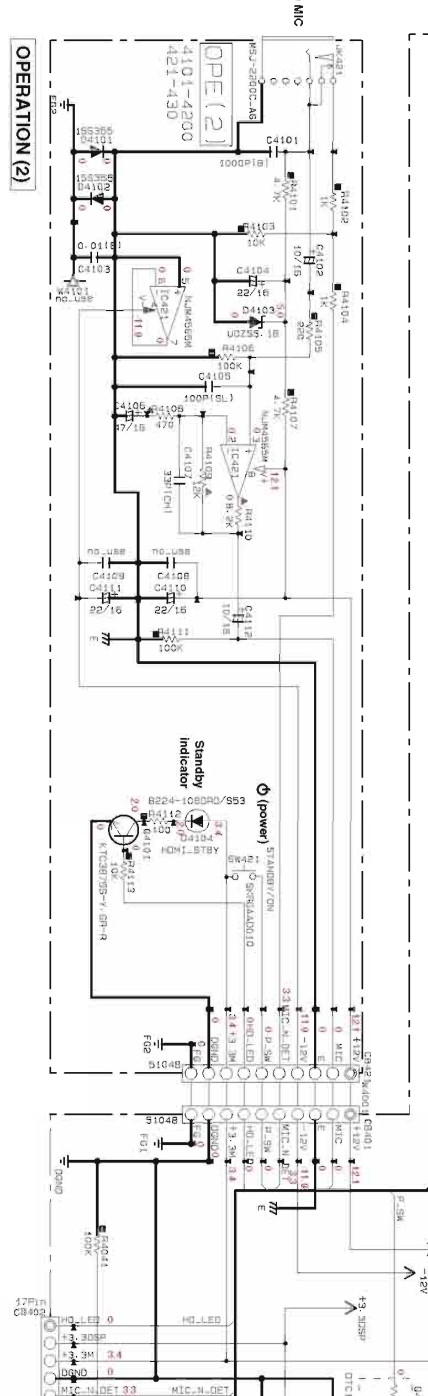
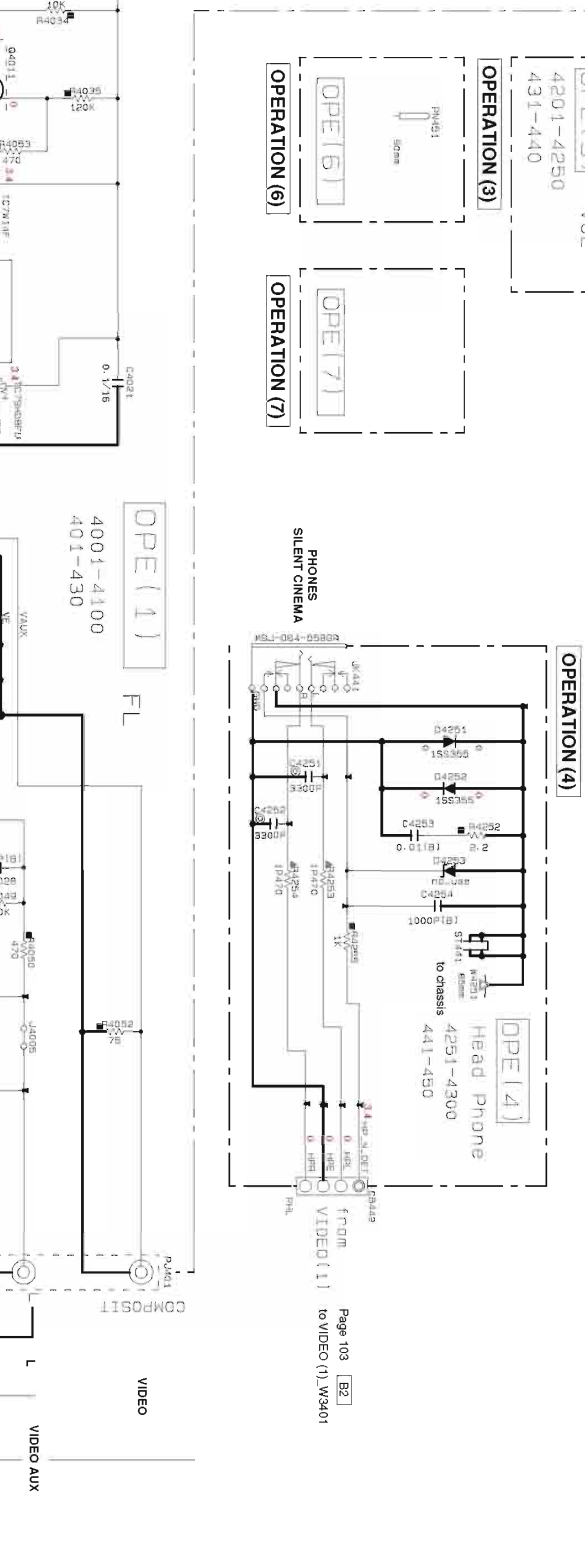
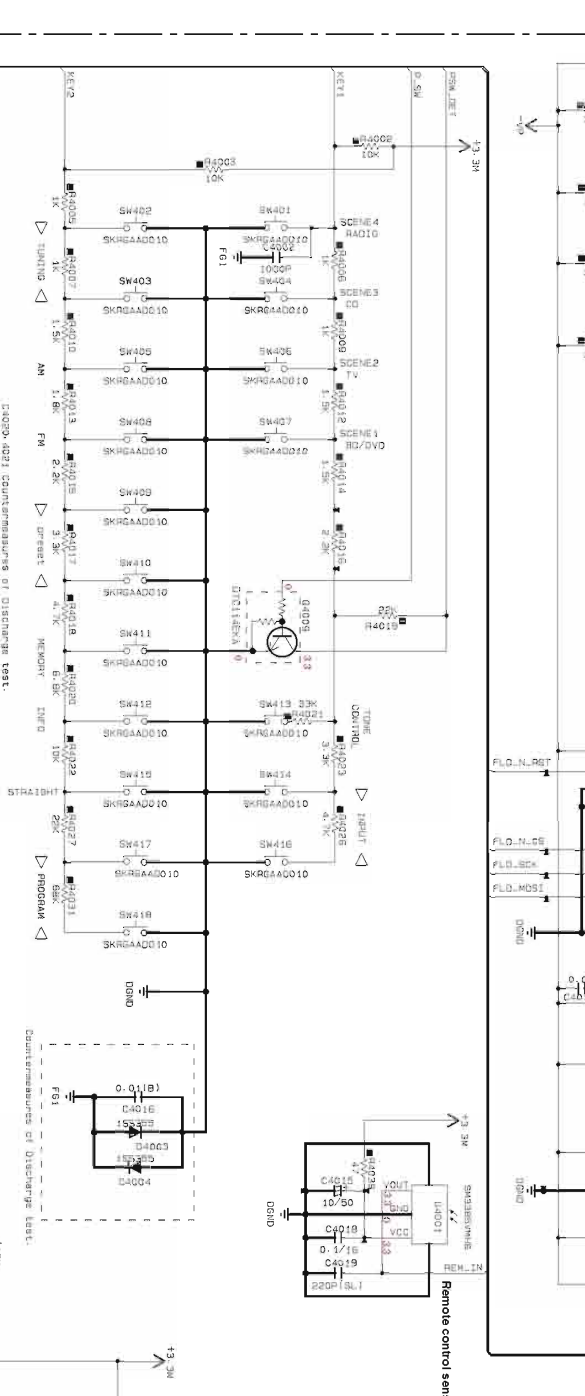
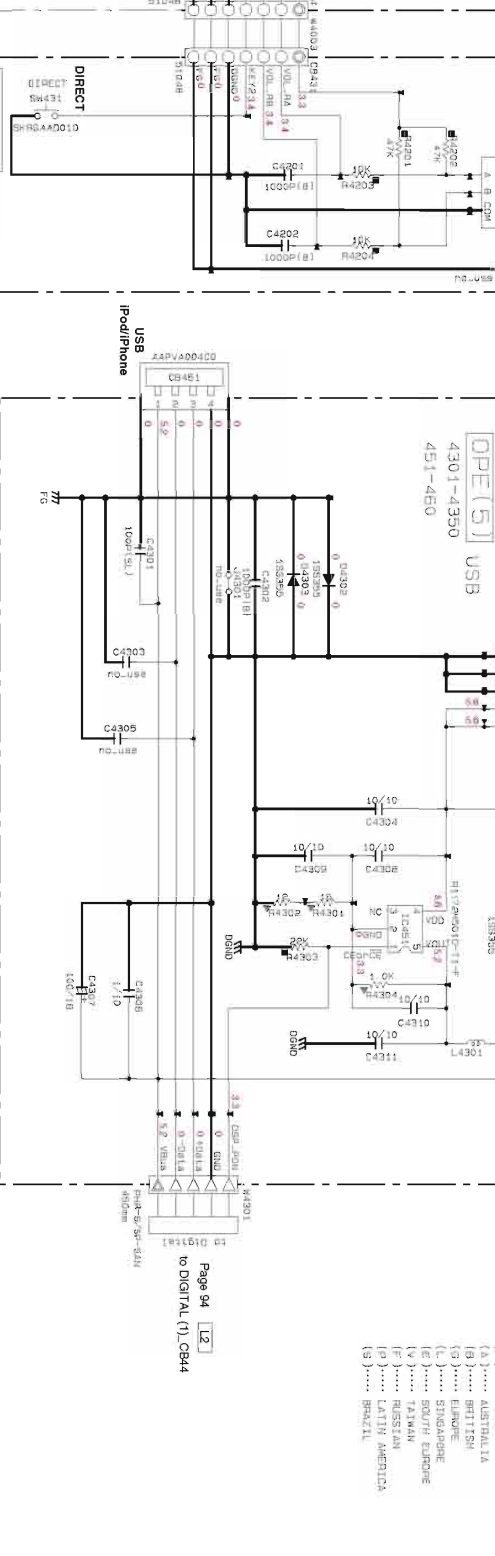
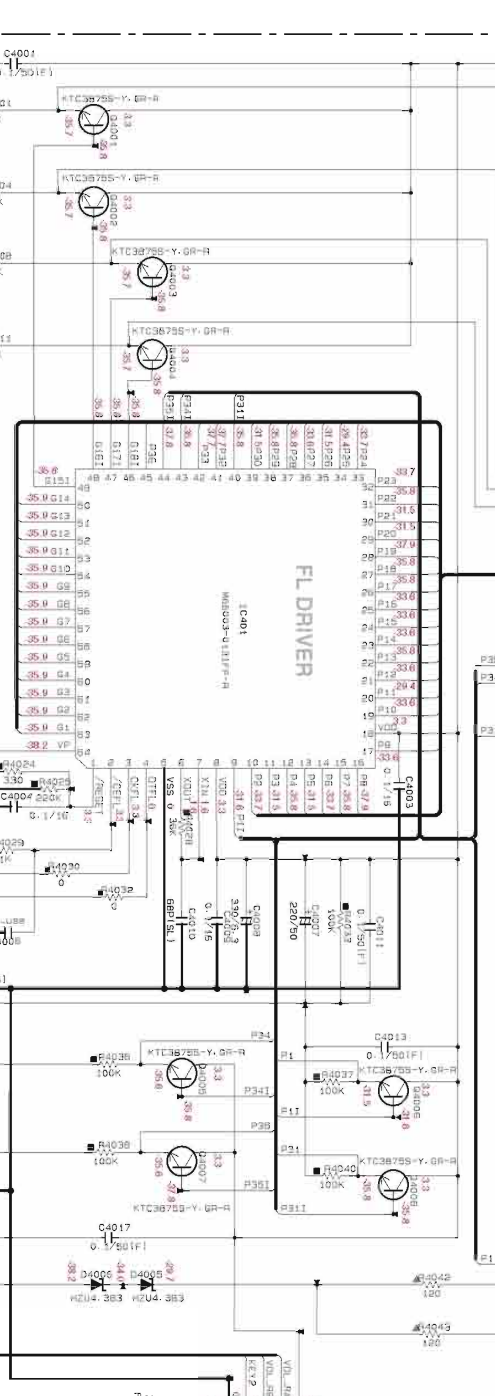
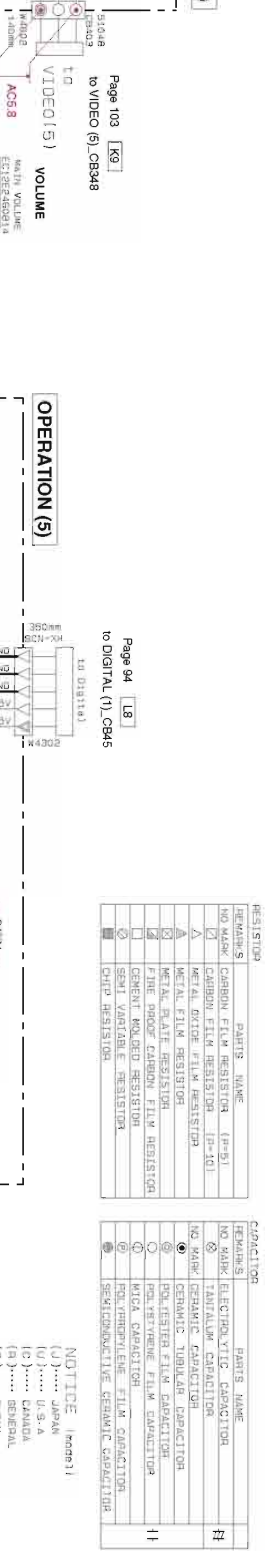
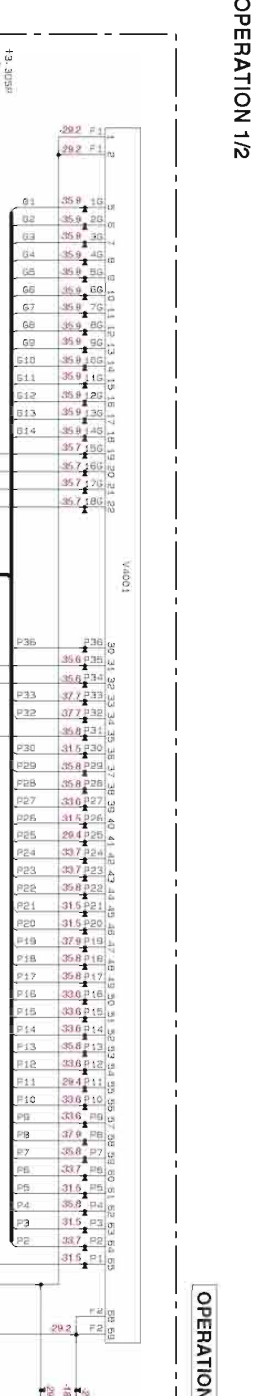
IC88:R1172H501-DT1-F Voltage regulator



Pin No.	Symbol	Description
1	VOUT	Output Pin
2	GND	Ground Pin
3	VCC_3V3	No Connection
4	VCC_1V8	Chip Enable Pin (T+Active)
5	VOUT	Output Pin

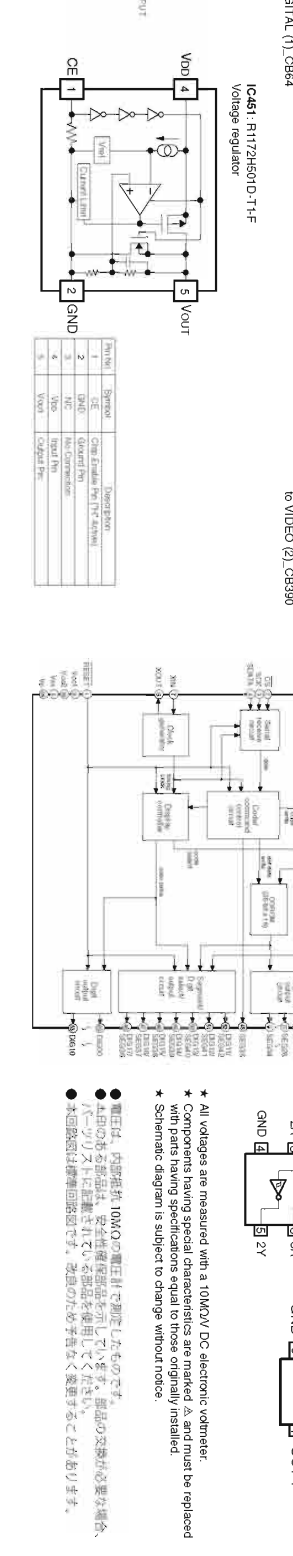
* All voltages are measured with a 10MΩ DC electronic voltmeter.
 * Component values and characteristics are subject to change without notice.
 * Schematic diagram is subject to change without notice.

● 電圧は、10MΩ DC電圧計で測定したものです。
 ● 部品名、部品記号、部品値、部品特性は、予告なく変更される場合があります。
 ● 本図は、製品の仕様書の一部として提供されています。図面の改訂は、予告なく変更される場合があります。



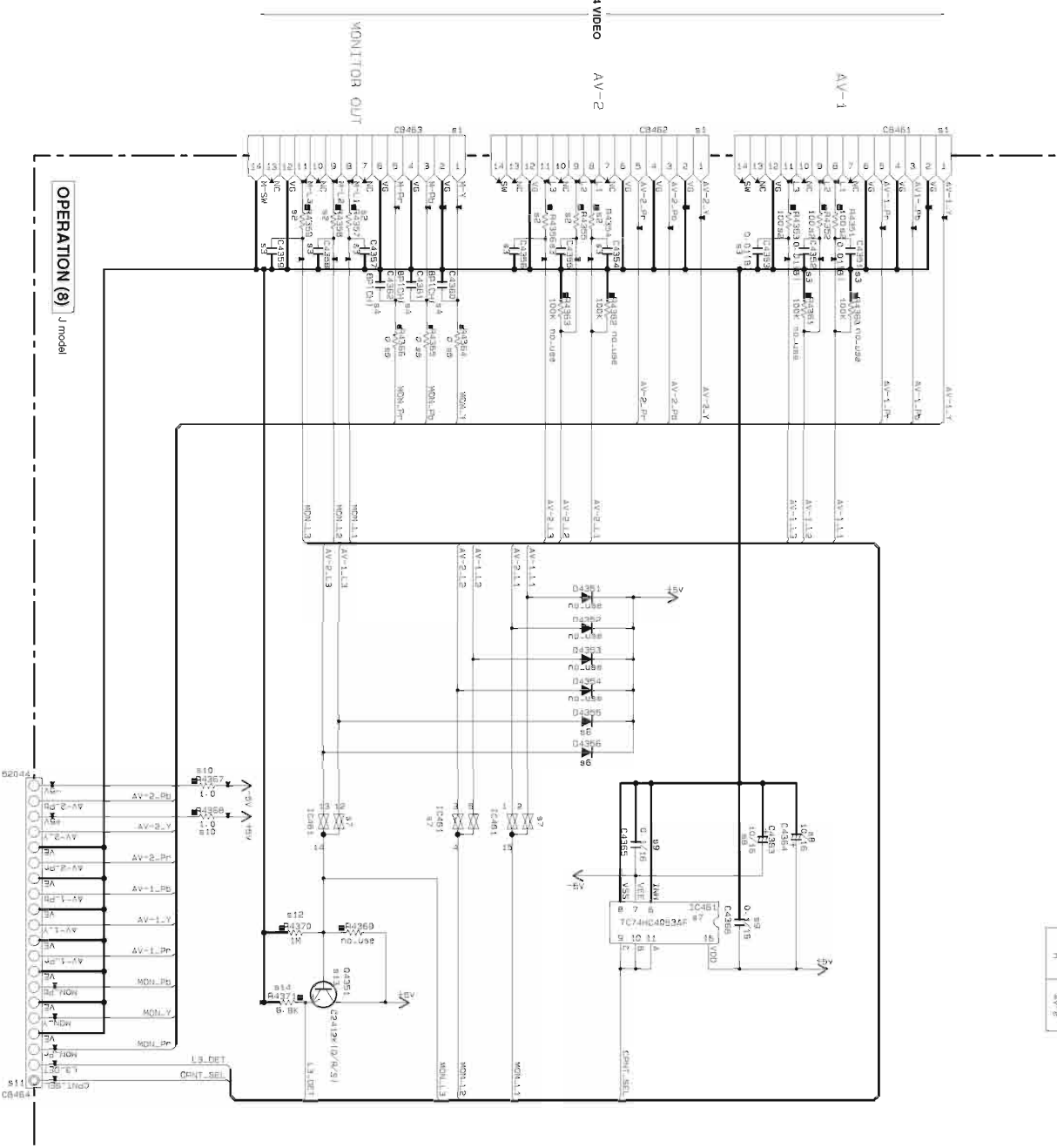
Key detection for A/D part
 Key input (A/D) pull-up resistances: 10 k-ohms

Om	+10K	+10K	+15K	+15K	+22K	+33K	+47K	220K	330K
V	0-0.15	0.15-0.42	0.43-0.70	0.71-0.97	0.98-1.24	1.25-1.53	1.54-1.84	1.85-2.22	2.23-3.04
A/D value (3.3Vx255)	0-11	12-32	33-54	55-75	76-96	97-119	120-142	143-163	164-200
KEY1 (77 pin)	RADIO (SCENE4)	CD (SCENE3)	TV (SCENE2)	BO/DVD (SCENE1)	INPUT	INPUT	INPUT	INPUT	CONTROL
Om	0	+10K	+10K	+15K	+18K	+22K	+33K	+47K	+88K
V	0-0.15	0.16-0.42	0.43-0.70	0.71-0.99	1.00-1.27	1.28-1.56	1.57-1.86	1.87-2.14	2.15-2.39
A/D value (3.3Vx255)	0-11	12-32	33-54	55-77	78-99	100-121	122-144	145-166	167-188
KEY2 (77 pin)	DIRECT	TUNING >	TUNING <	AM	FM	PRESET >	PRESET <	MEMORY	INFO
									STRAIGHT
									PROGRAM
									PROGRAM



NOTICE (cont.)
 (J)... JAPAN
 (U)... U.S.A
 (E)... EUROPE
 (K)... KOREA
 (A)... AUSTRALIA
 (S)... SWITZERLAND
 (T)... THAILAND
 (B)... BRITISH
 (L)... LITHUANIA
 (C)... CANADA
 (D)... DENMARK
 (F)... FINLAND
 (G)... GERMANY
 (I)... ITALY
 (M)... MALAYSIA
 (N)... NETHERLANDS
 (P)... POLAND
 (R)... RUSSIA
 (S)... SPAIN
 (T)... THAILAND
 (U)... U.S.A
 (V)... VIETNAM
 (W)... WEST GERMANY
 (Y)... YUGOSLAVIA
 (Z)... ZAMBIA

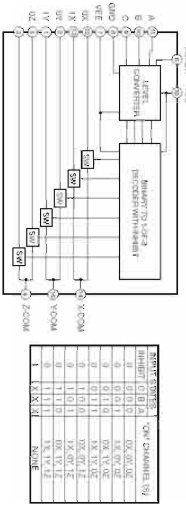
OPERATION (8) J model
D-TERMINAL J ONLY
461-470
4351-4400



LINE SELECTOR
DIP SWITCH

LINE SELECTOR	AV-1
LINE SELECTOR	AV-2
LINE SELECTOR	AV-3

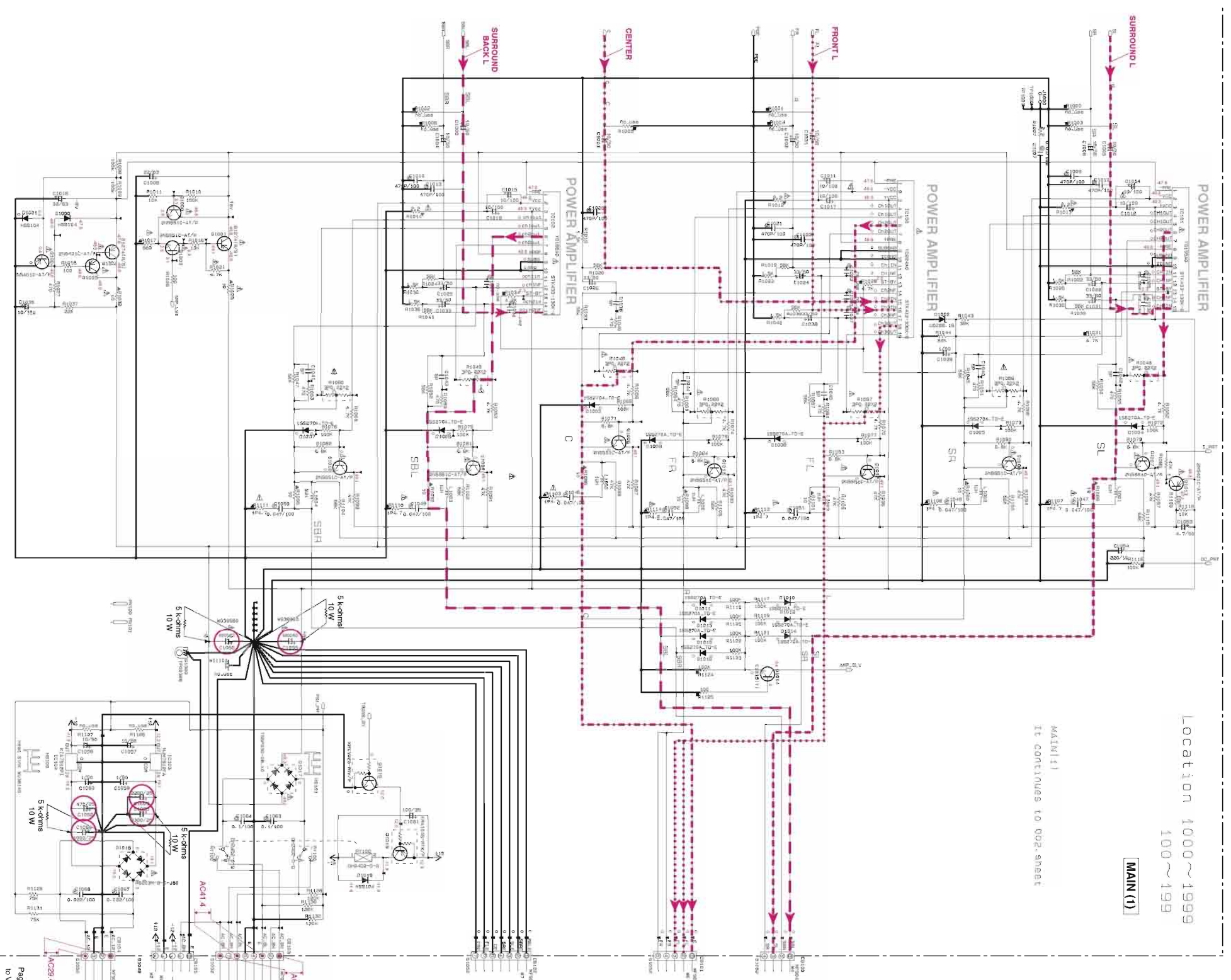
IC461: TC74HC05AF
Analog multiplex/demultiplexer



Page 102 [G1]
to VIDEO (1) CB831

Dist. Information Part List

BOX	LOC	DESCRIPTION	ACTUAL	R	REP
81	CR483	RESISTOR	X	Z	X
81	CR482	RESISTOR	X	X	X
82	R438M	RESISTOR	X	X	X
82	R438S	RESISTOR	X	X	X
82	R438P	RESISTOR	X	X	X
82	R438N	RESISTOR	X	X	X
82	R438L	RESISTOR	X	X	X
82	R438K	RESISTOR	X	X	X
82	R438J	RESISTOR	X	X	X
82	R438I	RESISTOR	X	X	X
82	R438H	RESISTOR	X	X	X
82	R438G	RESISTOR	X	X	X
82	R438F	RESISTOR	X	X	X
82	R438E	RESISTOR	X	X	X
82	R438D	RESISTOR	X	X	X
82	R438C	RESISTOR	X	X	X
82	R438B	RESISTOR	X	X	X
82	R438A	RESISTOR	X	X	X
82	R438	RESISTOR	X	X	X
83	C438M	CAPACITOR	X	X	X
83	C438L	CAPACITOR	X	X	X
83	C438K	CAPACITOR	X	X	X
83	C438J	CAPACITOR	X	X	X
83	C438I	CAPACITOR	X	X	X
83	C438H	CAPACITOR	X	X	X
83	C438G	CAPACITOR	X	X	X
83	C438F	CAPACITOR	X	X	X
83	C438E	CAPACITOR	X	X	X
83	C438D	CAPACITOR	X	X	X
83	C438C	CAPACITOR	X	X	X
83	C438B	CAPACITOR	X	X	X
83	C438A	CAPACITOR	X	X	X
83	C438	CAPACITOR	X	X	X
84	C439M	CAPACITOR	X	X	X
84	C439L	CAPACITOR	X	X	X
84	C439K	CAPACITOR	X	X	X
84	C439J	CAPACITOR	X	X	X
84	C439I	CAPACITOR	X	X	X
84	C439H	CAPACITOR	X	X	X
84	C439G	CAPACITOR	X	X	X
84	C439F	CAPACITOR	X	X	X
84	C439E	CAPACITOR	X	X	X
84	C439D	CAPACITOR	X	X	X
84	C439C	CAPACITOR	X	X	X
84	C439B	CAPACITOR	X	X	X
84	C439A	CAPACITOR	X	X	X
84	C439	CAPACITOR	X	X	X
85	R439M	RESISTOR	X	X	X
85	R439L	RESISTOR	X	X	X
85	R439K	RESISTOR	X	X	X
85	R439J	RESISTOR	X	X	X
85	R439I	RESISTOR	X	X	X
85	R439H	RESISTOR	X	X	X
85	R439G	RESISTOR	X	X	X
85	R439F	RESISTOR	X	X	X
85	R439E	RESISTOR	X	X	X
85	R439D	RESISTOR	X	X	X
85	R439C	RESISTOR	X	X	X
85	R439B	RESISTOR	X	X	X
85	R439A	RESISTOR	X	X	X
85	R439	RESISTOR	X	X	X
86	R440M	RESISTOR	X	X	X
86	R440L	RESISTOR	X	X	X
86	R440K	RESISTOR	X	X	X
86	R440J	RESISTOR	X	X	X
86	R440I	RESISTOR	X	X	X
86	R440H	RESISTOR	X	X	X
86	R440G	RESISTOR	X	X	X
86	R440F	RESISTOR	X	X	X
86	R440E	RESISTOR	X	X	X
86	R440D	RESISTOR	X	X	X
86	R440C	RESISTOR	X	X	X
86	R440B	RESISTOR	X	X	X
86	R440A	RESISTOR	X	X	X
86	R440	RESISTOR	X	X	X
87	R441M	RESISTOR	X	X	X
87	R441L	RESISTOR	X	X	X
87	R441K	RESISTOR	X	X	X
87	R441J	RESISTOR	X	X	X
87	R441I	RESISTOR	X	X	X
87	R441H	RESISTOR	X	X	X
87	R441G	RESISTOR	X	X	X
87	R441F	RESISTOR	X	X	X
87	R441E	RESISTOR	X	X	X
87	R441D	RESISTOR	X	X	X
87	R441C	RESISTOR	X	X	X
87	R441B	RESISTOR	X	X	X
87	R441A	RESISTOR	X	X	X
87	R441	RESISTOR	X	X	X
88	R442M	RESISTOR	X	X	X
88	R442L	RESISTOR	X	X	X
88	R442K	RESISTOR	X	X	X
88	R442J	RESISTOR	X	X	X
88	R442I	RESISTOR	X	X	X
88	R442H	RESISTOR	X	X	X
88	R442G	RESISTOR	X	X	X
88	R442F	RESISTOR	X	X	X
88	R442E	RESISTOR	X	X	X
88	R442D	RESISTOR	X	X	X
88	R442C	RESISTOR	X	X	X
88	R442B	RESISTOR	X	X	X
88	R442A	RESISTOR	X	X	X
88	R442	RESISTOR	X	X	X
89	R443M	RESISTOR	X	X	X
89	R443L	RESISTOR	X	X	X
89	R443K	RESISTOR	X	X	X
89	R443J	RESISTOR	X	X	X
89	R443I	RESISTOR	X	X	X
89	R443H	RESISTOR	X	X	X
89	R443G	RESISTOR	X	X	X
89	R443F	RESISTOR	X	X	X
89	R443E	RESISTOR	X	X	X
89	R443D	RESISTOR	X	X	X
89	R443C	RESISTOR	X	X	X
89	R443B	RESISTOR	X	X	X
89	R443A	RESISTOR	X	X	X
89	R443	RESISTOR	X	X	X
90	R444M	RESISTOR	X	X	X
90	R444L	RESISTOR	X	X	X
90	R444K	RESISTOR	X	X	X
90	R444J	RESISTOR	X	X	X
90	R444I	RESISTOR	X	X	X
90	R444H	RESISTOR	X	X	X
90	R444G	RESISTOR	X	X	X
90	R444F	RESISTOR	X	X	X
90	R444E	RESISTOR	X	X	X
90	R444D	RESISTOR	X	X	X
90	R444C	RESISTOR	X	X	X
90	R444B	RESISTOR	X	X	X
90	R444A	RESISTOR	X	X	X
90	R444	RESISTOR	X	X	X
91	R445M	RESISTOR	X	X	X
91	R445L	RESISTOR	X	X	X
91	R445K	RESISTOR	X	X	X
91	R445J	RESISTOR	X	X	X
91	R445I	RESISTOR	X	X	X
91	R445H	RESISTOR	X	X	X
91	R445G	RESISTOR	X	X	X
91	R445F	RESISTOR	X	X	X
91	R445E	RESISTOR	X	X	X
91	R445D	RESISTOR	X	X	X
91	R445C	RESISTOR	X	X	X
91	R445B	RESISTOR	X	X	X
91	R445A	RESISTOR	X	X	X
91	R445	RESISTOR	X	X	X
92	R446M	RESISTOR	X	X	X
92	R446L	RESISTOR	X	X	X
92	R446K	RESISTOR	X	X	X
92	R446J	RESISTOR	X	X	X
92	R446I	RESISTOR	X	X	X
92	R446H	RESISTOR	X	X	X
92	R446G	RESISTOR	X	X	X
92	R446F	RESISTOR	X	X	X
92	R446E	RESISTOR	X	X	X
92	R446D	RESISTOR	X	X	X
92	R446C	RESISTOR	X	X	X
92	R446B	RESISTOR	X	X	X
92	R446A	RESISTOR	X	X	X
92	R446	RESISTOR	X	X	X
93	R447M	RESISTOR	X	X	X
93	R447L	RESISTOR	X	X	X
93	R447K	RESISTOR	X	X	X
93	R447J	RESISTOR	X	X	X
93	R447I	RESISTOR	X	X	X
93	R447H	RESISTOR	X	X	X
93	R447G	RESISTOR	X	X	X
93	R447F	RESISTOR	X	X	X
93	R447E	RESISTOR	X	X	X
93	R447D	RESISTOR	X	X	X
93	R447C	RESISTOR	X	X	X
93	R447B	RESISTOR	X	X	X
93	R447A	RESISTOR	X	X	X
93	R447	RESISTOR	X	X	X
94	R448M	RESISTOR	X	X	X
94	R448L	RESISTOR	X	X	X
94	R448K	RESISTOR	X	X	X
94	R448J	RESISTOR	X	X	X
94	R448I	RESISTOR	X	X	X
94	R448H	RESISTOR	X	X	X
94	R448G	RESISTOR	X	X	X
94	R448F	RESISTOR	X	X	X
94	R448E	RESISTOR	X	X	X
94	R448D	RESISTOR	X	X	X
94	R448C	RESISTOR	X	X	X
94	R448B	RESISTOR	X	X	X
94	R448A	RESISTOR	X	X	X
94	R448	RESISTOR	X	X	X
95	R449M	RESISTOR	X	X	X
95	R449L	RESISTOR	X	X	X
95	R449K	RESISTOR	X	X	X
95	R449J	RESISTOR	X	X	X
95	R449I	RESISTOR	X	X	X
95	R449H	RESISTOR	X	X	X
95	R449G	RESISTOR	X	X	X
95	R449F	RESISTOR	X	X	X
95	R449E	RESISTOR	X	X	X
95	R449D	RESISTOR	X	X	X
95	R449C	RESISTOR	X	X	X
95	R449B	RESISTOR	X	X	X
95	R449A	RESISTOR	X	X	X
95	R449	RESISTOR	X	X	X
96	R450M	RESISTOR	X	X	X
96	R450L	RESISTOR	X	X	X
96	R450K	RESISTOR	X	X	X
96	R450J	RESISTOR	X	X	X
96	R450I	RESISTOR	X	X	X
96	R450H	RESISTOR	X	X	X
96	R450G	RESISTOR	X	X	X
96	R450F	RESISTOR	X	X	X
96	R450E	RESISTOR	X	X	X
96	R450D	RESISTOR	X	X	X
96	R450C	RESISTOR	X	X	X
96	R450B	RESISTOR	X	X	X
96	R450A	RESISTOR	X	X	X
96	R450	RESISTOR	X	X	X
97	R451M	RESISTOR	X	X	X
97	R451L	RESISTOR	X	X	X
97	R451K	RESISTOR	X	X	X
97	R451J	RESISTOR	X	X	X
97	R451I	RESISTOR	X	X	X
97	R451H	RESISTOR	X	X	X
97	R451G	RESISTOR	X	X	X
97	R451F	RESISTOR	X	X	X
97	R451E	RESISTOR	X	X	X
97	R451D	RESISTOR	X	X	X



Location 1000~1999
100~199
MAIN (1)

It continues to 002 sheet

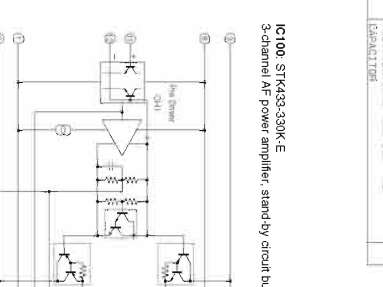
- Notes)**
- Safety measures in the product contain high voltages and are dangerous. Be sure to take safety measures during servicing, such as wearing insulating gloves.
 - Some features are indicated below on grounds even when the power is turned off because an electric charge remains and a high voltage continues to exist there.
 - The time required for discharge is about 30 seconds per each.
 - C1056, C1058, C1062, C1065, C1069, C1091, C1099, C1100, C1104, C1109

安全対策

この製品の内部には高電圧部分があり危険です。修理の際は、絶縁性の手袋を使用するなどの安全対策を行ってください。
下部の電源プラグには電圧を OFF にした後も電気が残る場合があります。修理作業中に放電が持続する場合があります。
下部のコネクターの端子には電圧が残る場合があります。放電が持続する場合があります。

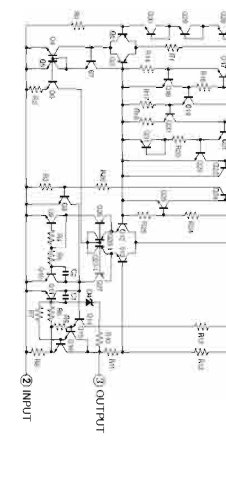
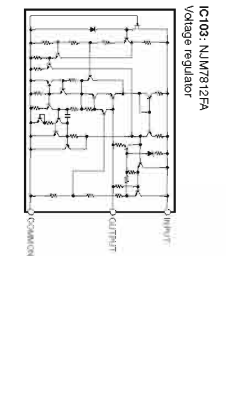
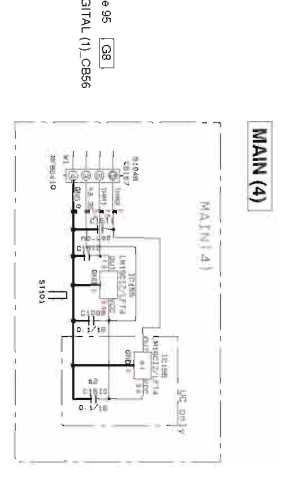
MAIN (1) の PCB の C1056, C1058, C1062, C1065, C1069, C1091, C1099, C1100, C1104, C1109

REVISIONS	DATE	DESCRIPTION
1	01/01/01	INITIAL
2	01/01/01	REVISION
3	01/01/01	REVISION
4	01/01/01	REVISION
5	01/01/01	REVISION
6	01/01/01	REVISION
7	01/01/01	REVISION
8	01/01/01	REVISION
9	01/01/01	REVISION
10	01/01/01	REVISION
11	01/01/01	REVISION
12	01/01/01	REVISION
13	01/01/01	REVISION
14	01/01/01	REVISION
15	01/01/01	REVISION
16	01/01/01	REVISION
17	01/01/01	REVISION
18	01/01/01	REVISION
19	01/01/01	REVISION
20	01/01/01	REVISION
21	01/01/01	REVISION
22	01/01/01	REVISION
23	01/01/01	REVISION
24	01/01/01	REVISION
25	01/01/01	REVISION
26	01/01/01	REVISION
27	01/01/01	REVISION
28	01/01/01	REVISION
29	01/01/01	REVISION
30	01/01/01	REVISION
31	01/01/01	REVISION
32	01/01/01	REVISION
33	01/01/01	REVISION
34	01/01/01	REVISION
35	01/01/01	REVISION
36	01/01/01	REVISION
37	01/01/01	REVISION
38	01/01/01	REVISION
39	01/01/01	REVISION
40	01/01/01	REVISION
41	01/01/01	REVISION
42	01/01/01	REVISION
43	01/01/01	REVISION
44	01/01/01	REVISION
45	01/01/01	REVISION
46	01/01/01	REVISION
47	01/01/01	REVISION
48	01/01/01	REVISION
49	01/01/01	REVISION
50	01/01/01	REVISION

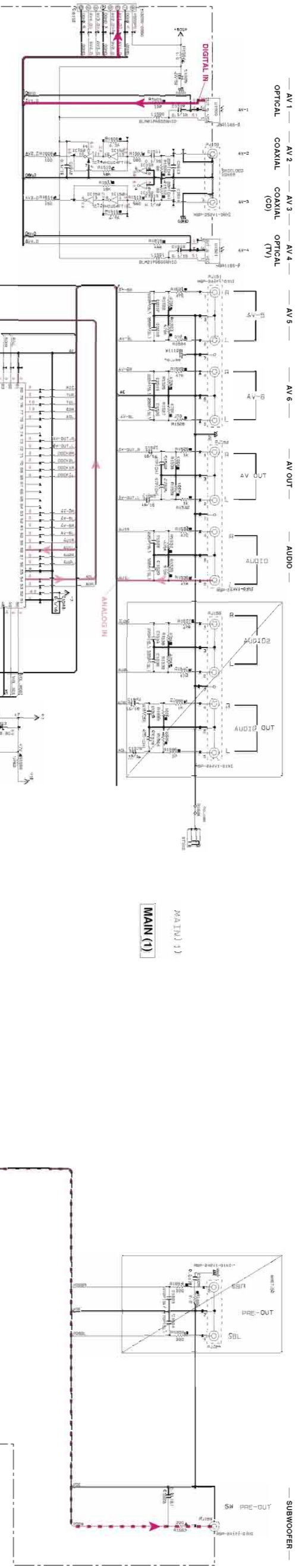


MAIN (3)

NO.	DESCRIPTION	QTY.	UNIT
1	RESISTOR	1	PCB
2	CAPACITOR	1	PCB
3	TRANSISTOR	1	PCB
4	DIODE	1	PCB
5	INDUCTOR	1	PCB
6	CONNECTOR	1	PCB
7	WIRE	1	PCB
8	OTHER	1	PCB



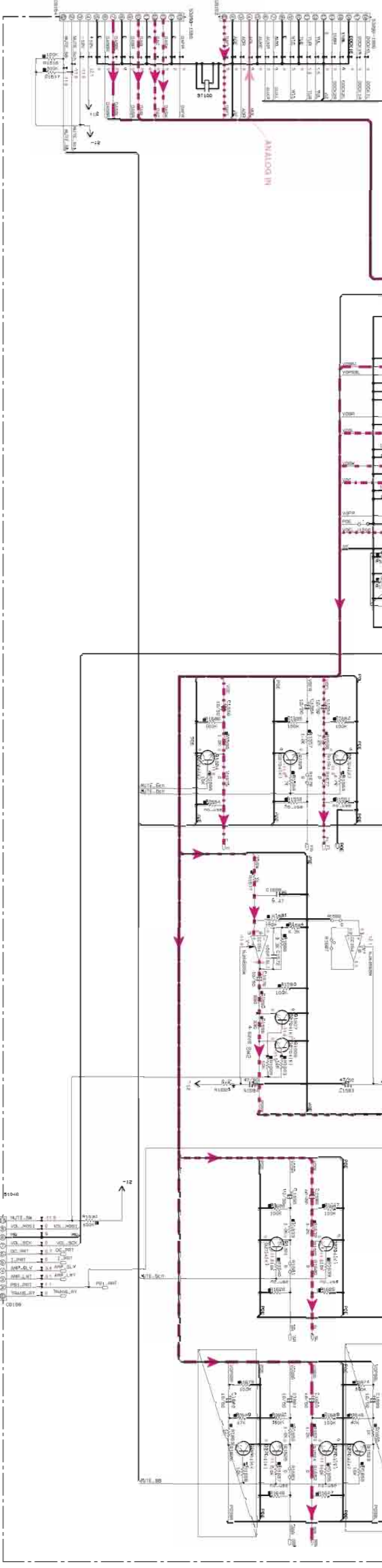
- ★ All voltages are measured with a 10MΩ/DC electronic voltmeter.
- ★ Components having special characteristics are indicated. A part can be replaced with parts having specifications equal to those originally installed.
- ★ Schematic diagram is subject to change without notice.
- 電圧は、10MΩの電圧計で測定したものです。
- 特殊な特性を有する部品は、印字されています。交換の際は、同等の規格品を交換してください。
- 回路図は、変更される場合があります。



Page 104 [E10] to VIDEO (2) CB388

Page 104 [E10] to VIDEO (2) CB388

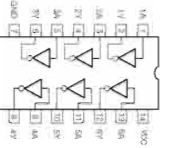
Page 104 [G10] to VIDEO (2) CB388



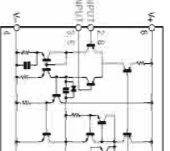
IC153 RA15Z0FP 8-channel electronic volume with 11 input selector and tone control

Page 95 [H8] to DIGITAL (1) CB57

IC188 TC74VHC04MFT Hex inverters

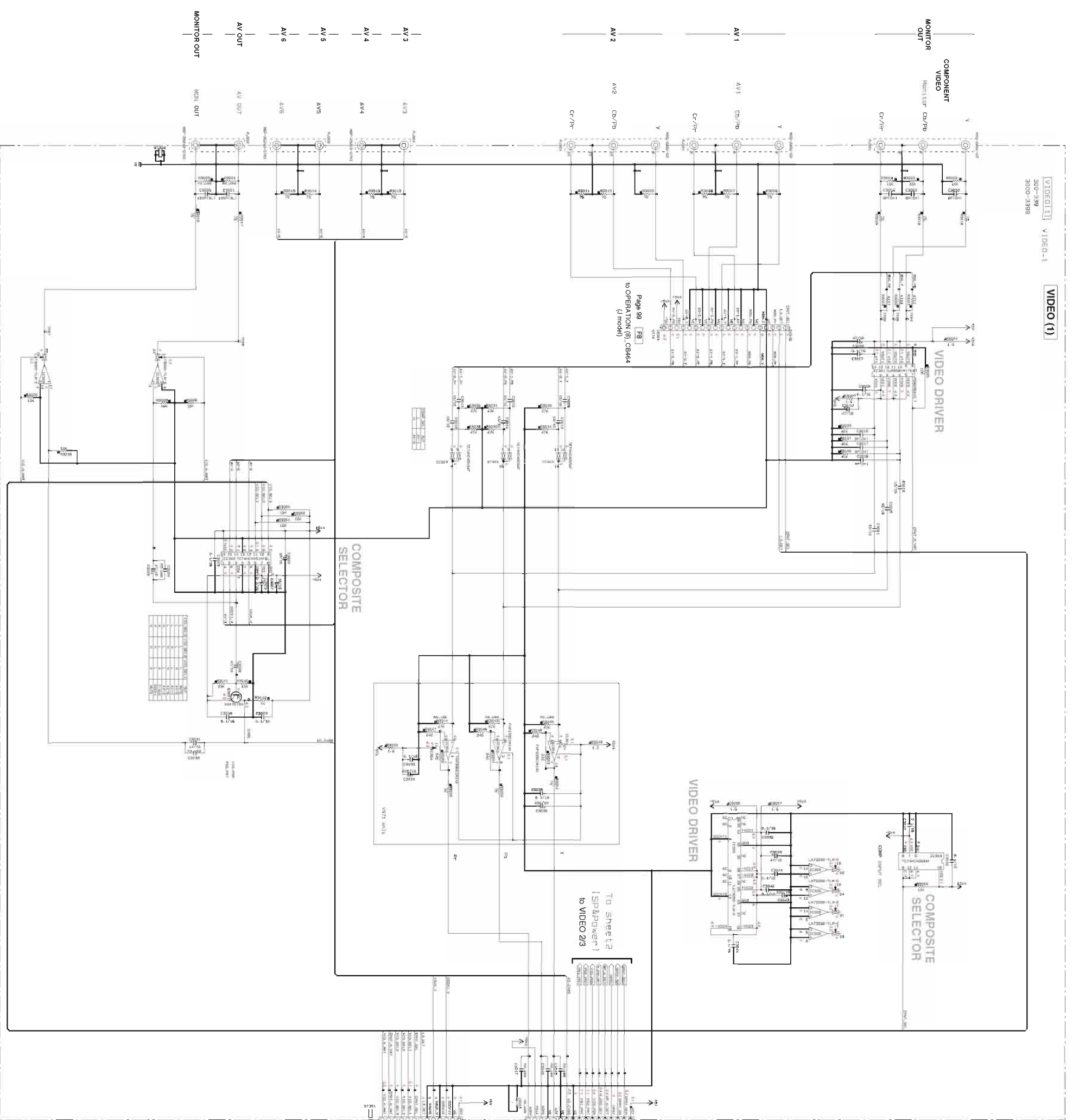


IC184 NJM4556M (TE1) Dual operational amplifier



NOTICE (important)

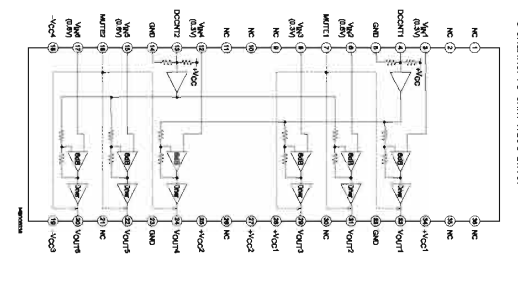
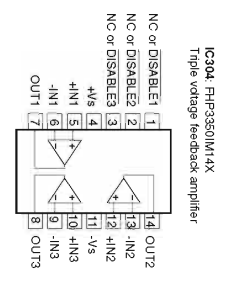
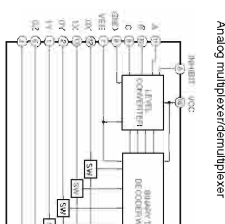
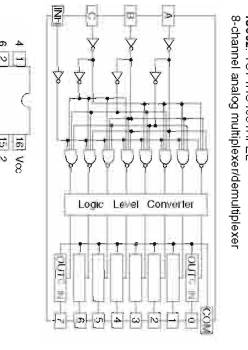
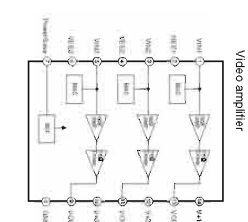
(1) U.S.A.
 (2) CANADA
 (3) CHINA
 (4) DENMARK
 (5) FRANCE
 (6) GERMANY
 (7) HONG KONG
 (8) INDIA
 (9) ITALY
 (10) JAPAN
 (11) KOREA
 (12) MALAYSIA
 (13) MEXICO
 (14) NETHERLANDS
 (15) NORWAY
 (16) POLAND
 (17) PORTUGAL
 (18) ROMANIA
 (19) RUSSIA
 (20) SINGAPORE
 (21) SOUTH AFRICA
 (22) SWEDEN
 (23) SWITZERLAND
 (24) THAILAND
 (25) TAIPEI
 (26) TAIWAN
 (27) U.K.
 (28) U.S.A.
 (29) CANADA
 (30) CHINA
 (31) DENMARK
 (32) FRANCE
 (33) GERMANY
 (34) HONG KONG
 (35) INDIA
 (36) ITALY
 (37) JAPAN
 (38) KOREA
 (39) MALAYSIA
 (40) MEXICO
 (41) NETHERLANDS
 (42) NORWAY
 (43) POLAND
 (44) PORTUGAL
 (45) ROMANIA
 (46) RUSSIA
 (47) SINGAPORE
 (48) SOUTH AFRICA
 (49) SWEDEN
 (50) SWITZERLAND
 (51) THAILAND
 (52) TAIPEI
 (53) TAIWAN
 (54) U.K.
 (55) U.S.A.
 (56) CANADA
 (57) CHINA
 (58) DENMARK
 (59) FRANCE
 (60) GERMANY
 (61) HONG KONG
 (62) INDIA
 (63) ITALY
 (64) JAPAN
 (65) KOREA
 (66) MALAYSIA
 (67) MEXICO
 (68) NETHERLANDS
 (69) NORWAY
 (70) POLAND
 (71) PORTUGAL
 (72) ROMANIA
 (73) RUSSIA
 (74) SINGAPORE
 (75) SOUTH AFRICA
 (76) SWEDEN
 (77) SWITZERLAND
 (78) THAILAND
 (79) TAIPEI
 (80) TAIWAN
 (81) U.K.
 (82) U.S.A.
 (83) CANADA
 (84) CHINA
 (85) DENMARK
 (86) FRANCE
 (87) GERMANY
 (88) HONG KONG
 (89) INDIA
 (90) ITALY
 (91) JAPAN
 (92) KOREA
 (93) MALAYSIA
 (94) MEXICO
 (95) NETHERLANDS
 (96) NORWAY
 (97) POLAND
 (98) PORTUGAL
 (99) ROMANIA
 (100) RUSSIA
 (101) SINGAPORE
 (102) SOUTH AFRICA
 (103) SWEDEN
 (104) SWITZERLAND
 (105) THAILAND
 (106) TAIPEI
 (107) TAIWAN
 (108) U.K.
 (109) U.S.A.
 (110) CANADA
 (111) CHINA
 (112) DENMARK
 (113) FRANCE
 (114) GERMANY
 (115) HONG KONG
 (116) INDIA
 (117) ITALY
 (118) JAPAN
 (119) KOREA
 (120) MALAYSIA
 (121) MEXICO
 (122) NETHERLANDS
 (123) NORWAY
 (124) POLAND
 (125) PORTUGAL
 (126) ROMANIA
 (127) RUSSIA
 (128) SINGAPORE
 (129) SOUTH AFRICA
 (130) SWEDEN
 (131) SWITZERLAND
 (132) THAILAND
 (133) TAIPEI
 (134) TAIWAN
 (135) U.K.
 (136) U.S.A.
 (137) CANADA
 (138) CHINA
 (139) DENMARK
 (140) FRANCE
 (141) GERMANY
 (142) HONG KONG
 (143) INDIA
 (144) ITALY
 (145) JAPAN
 (146) KOREA
 (147) MALAYSIA
 (148) MEXICO
 (149) NETHERLANDS
 (150) NORWAY
 (151) POLAND
 (152) PORTUGAL
 (153) ROMANIA
 (154) RUSSIA
 (155) SINGAPORE
 (156) SOUTH AFRICA
 (157) SWEDEN
 (158) SWITZERLAND
 (159) THAILAND
 (160) TAIPEI
 (161) TAIWAN
 (162) U.K.
 (163) U.S.A.
 (164) CANADA
 (165) CHINA
 (166) DENMARK
 (167) FRANCE
 (168) GERMANY
 (169) HONG KONG
 (170) INDIA
 (171) ITALY
 (172) JAPAN
 (173) KOREA
 (174) MALAYSIA
 (175) MEXICO
 (176) NETHERLANDS
 (177) NORWAY
 (178) POLAND
 (179) PORTUGAL
 (180) ROMANIA
 (181) RUSSIA
 (182) SINGAPORE
 (183) SOUTH AFRICA
 (184) SWEDEN
 (185) SWITZERLAND
 (186) THAILAND
 (187) TAIPEI
 (188) TAIWAN
 (189) U.K.
 (190) U.S.A.
 (191) CANADA
 (192) CHINA
 (193) DENMARK
 (194) FRANCE
 (195) GERMANY
 (196) HONG KONG
 (197) INDIA
 (198) ITALY
 (199) JAPAN
 (200) KOREA
 (201) MALAYSIA
 (202) MEXICO
 (203) NETHERLANDS
 (204) NORWAY
 (205) POLAND
 (206) PORTUGAL
 (207) ROMANIA
 (208) RUSSIA
 (209) SINGAPORE
 (210) SOUTH AFRICA
 (211) SWEDEN
 (212) SWITZERLAND
 (213) THAILAND
 (214) TAIPEI
 (215) TAIWAN
 (216) U.K.
 (217) U.S.A.
 (218) CANADA
 (219) CHINA
 (220) DENMARK
 (221) FRANCE
 (222) GERMANY
 (223) HONG KONG
 (224) INDIA
 (225) ITALY
 (226) JAPAN
 (227) KOREA
 (228) MALAYSIA
 (229) MEXICO
 (230) NETHERLANDS
 (231) NORWAY
 (232) POLAND
 (233) PORTUGAL
 (234) ROMANIA
 (235) RUSSIA
 (236) SINGAPORE
 (237) SOUTH AFRICA
 (238) SWEDEN
 (239) SWITZERLAND
 (240) THAILAND
 (241) TAIPEI
 (242) TAIWAN
 (243) U.K.
 (244) U.S.A.
 (245) CANADA
 (246) CHINA
 (247) DENMARK
 (248) FRANCE
 (249) GERMANY
 (250) HONG KONG
 (251) INDIA
 (252) ITALY
 (253) JAPAN
 (254) KOREA
 (255) MALAYSIA
 (256) MEXICO
 (257) NETHERLANDS
 (258) NORWAY
 (259) POLAND
 (260) PORTUGAL
 (261) ROMANIA
 (262) RUSSIA
 (263) SINGAPORE
 (264) SOUTH AFRICA
 (265) SWEDEN
 (266) SWITZERLAND
 (267) THAILAND
 (268) TAIPEI
 (269) TAIWAN
 (270) U.K.
 (271) U.S.A.
 (272) CANADA
 (273) CHINA
 (274) DENMARK
 (275) FRANCE
 (276) GERMANY
 (277) HONG KONG
 (278) INDIA
 (279) ITALY
 (280) JAPAN
 (281) KOREA
 (282) MALAYSIA
 (283) MEXICO
 (284) NETHERLANDS
 (285) NORWAY
 (286) POLAND
 (287) PORTUGAL
 (288) ROMANIA
 (289) RUSSIA
 (290) SINGAPORE
 (291) SOUTH AFRICA
 (292) SWEDEN
 (293) SWITZERLAND
 (294) THAILAND
 (295) TAIPEI
 (296) TAIWAN
 (297) U.K.
 (298) U.S.A.
 (299) CANADA
 (300) CHINA
 (301) DENMARK
 (302) FRANCE
 (303) GERMANY
 (304) HONG KONG
 (305) INDIA
 (306) ITALY
 (307) JAPAN
 (308) KOREA
 (309) MALAYSIA
 (310) MEXICO
 (311) NETHERLANDS
 (312) NORWAY
 (313) POLAND
 (314) PORTUGAL
 (315) ROMANIA
 (316) RUSSIA
 (317) SINGAPORE
 (318) SOUTH AFRICA
 (319) SWEDEN
 (320) SWITZERLAND
 (321) THAILAND
 (322) TAIPEI
 (323) TAIWAN
 (324) U.K.
 (325) U.S.A.
 (326) CANADA
 (327) CHINA
 (328) DENMARK
 (329) FRANCE
 (330) GERMANY
 (331) HONG KONG
 (332) INDIA
 (333) ITALY
 (334) JAPAN
 (335) KOREA
 (336) MALAYSIA
 (337) MEXICO
 (338) NETHERLANDS
 (339) NORWAY
 (340) POLAND
 (341) PORTUGAL
 (342) ROMANIA
 (343) RUSSIA
 (344) SINGAPORE
 (345) SOUTH AFRICA
 (346) SWEDEN
 (347) SWITZERLAND
 (348) THAILAND
 (349) TAIPEI
 (350) TAIWAN
 (351) U.K.
 (352) U.S.A.
 (353) CANADA
 (354) CHINA
 (355) DENMARK
 (356) FRANCE
 (357) GERMANY
 (358) HONG KONG
 (359) INDIA
 (360) ITALY
 (361) JAPAN
 (362) KOREA
 (363) MALAYSIA
 (364) MEXICO
 (365) NETHERLANDS
 (366) NORWAY
 (367) POLAND
 (368) PORTUGAL
 (369) ROMANIA
 (370) RUSSIA
 (371) SINGAPORE
 (372) SOUTH AFRICA
 (373) SWEDEN
 (374) SWITZERLAND
 (375) THAILAND
 (376) TAIPEI
 (377) TAIWAN
 (378) U.K.
 (379) U.S.A.
 (380) CANADA
 (381) CHINA
 (382) DENMARK
 (383) FRANCE
 (384) GERMANY
 (385) HONG KONG
 (386) INDIA
 (387) ITALY
 (388) JAPAN
 (389) KOREA
 (390) MALAYSIA
 (391) MEXICO
 (392) NETHERLANDS
 (393) NORWAY
 (394) POLAND
 (395) PORTUGAL
 (396) ROMANIA
 (397) RUSSIA
 (398) SINGAPORE
 (399) SOUTH AFRICA
 (400) SWEDEN
 (401) SWITZERLAND
 (402) THAILAND
 (403) TAIPEI
 (404) TAIWAN
 (405) U.K.
 (406) U.S.A.
 (407) CANADA
 (408) CHINA
 (409) DENMARK
 (410) FRANCE
 (411) GERMANY
 (412) HONG KONG
 (413) INDIA
 (414) ITALY
 (415) JAPAN
 (416) KOREA
 (417) MALAYSIA
 (418) MEXICO
 (419) NETHERLANDS
 (420) NORWAY
 (421) POLAND
 (422) PORTUGAL
 (423) ROMANIA
 (424) RUSSIA
 (425) SINGAPORE
 (426) SOUTH AFRICA
 (427) SWEDEN
 (428) SWITZERLAND
 (429) THAILAND
 (430) TAIPEI
 (431) TAIWAN
 (432) U.K.
 (433) U.S.A.
 (434) CANADA
 (435) CHINA
 (436) DENMARK
 (437) FRANCE
 (438) GERMANY
 (439) HONG KONG
 (440) INDIA
 (441) ITALY
 (442) JAPAN
 (443) KOREA
 (444) MALAYSIA
 (445) MEXICO
 (446) NETHERLANDS
 (447) NORWAY
 (448) POLAND
 (449) PORTUGAL
 (450) ROMANIA
 (451) RUSSIA
 (452) SINGAPORE
 (453) SOUTH AFRICA
 (454) SWEDEN
 (455) SWITZERLAND
 (456) THAILAND
 (457) TAIPEI
 (458) TAIWAN
 (459) U.K.
 (460) U.S.A.
 (461) CANADA
 (462) CHINA
 (463) DENMARK
 (464) FRANCE
 (465) GERMANY
 (466) HONG KONG
 (467) INDIA
 (468) ITALY
 (469) JAPAN
 (470) KOREA
 (471) MALAYSIA
 (472) MEXICO
 (473) NETHERLANDS
 (474) NORWAY
 (475) POLAND
 (476) PORTUGAL
 (477) ROMANIA
 (478) RUSSIA
 (479) SINGAPORE
 (480) SOUTH AFRICA
 (481) SWEDEN
 (482) SWITZERLAND
 (483) THAILAND
 (484) TAIPEI
 (485) TAIWAN
 (486) U.K.
 (487) U.S.A.
 (488) CANADA
 (489) CHINA
 (490) DENMARK
 (491) FRANCE
 (492) GERMANY
 (493) HONG KONG
 (494) INDIA
 (495) ITALY
 (496) JAPAN
 (497) KOREA
 (498) MALAYSIA
 (499) MEXICO
 (500) NETHERLANDS
 (501) NORWAY
 (502) POLAND
 (503) PORTUGAL
 (504) ROMANIA
 (505) RUSSIA
 (506) SINGAPORE
 (507) SOUTH AFRICA
 (508) SWEDEN
 (509) SWITZERLAND
 (510) THAILAND
 (511) TAIPEI
 (512) TAIWAN
 (513) U.K.
 (514) U.S.A.
 (515) CANADA
 (516) CHINA
 (517) DENMARK
 (518) FRANCE
 (519) GERMANY
 (520) HONG KONG
 (521) INDIA
 (522) ITALY
 (523) JAPAN
 (524) KOREA
 (525) MALAYSIA
 (526) MEXICO
 (527) NETHERLANDS
 (528) NORWAY
 (529) POLAND
 (530) PORTUGAL
 (531) ROMANIA
 (532) RUSSIA
 (533) SINGAPORE
 (534) SOUTH AFRICA
 (535) SWEDEN
 (536) SWITZERLAND
 (537) THAILAND
 (538) TAIPEI
 (539) TAIWAN
 (540) U.K.
 (541) U.S.A.
 (542) CANADA
 (543) CHINA
 (544) DENMARK
 (545) FRANCE
 (546) GERMANY
 (547) HONG KONG
 (548) INDIA
 (549) ITALY
 (550) JAPAN
 (551) KOREA
 (552) MALAYSIA
 (553) MEXICO
 (554) NETHERLANDS
 (555) NORWAY
 (556) POLAND
 (557) PORTUGAL
 (558) ROMANIA
 (559) RUSSIA
 (560) SINGAPORE
 (561) SOUTH AFRICA
 (562) SWEDEN
 (563) SWITZERLAND
 (564) THAILAND
 (565) TAIPEI
 (566) TAIWAN
 (567) U.K.
 (568) U.S.A.
 (569) CANADA
 (570) CHINA
 (571) DENMARK
 (572) FRANCE
 (573) GERMANY
 (574) HONG KONG
 (575) INDIA
 (576) ITALY
 (577) JAPAN
 (578) KOREA
 (579) MALAYSIA
 (580) MEXICO
 (581) NETHERLANDS
 (582) NORWAY
 (583) POLAND
 (584) PORTUGAL
 (585) ROMANIA
 (586) RUSSIA
 (587) SINGAPORE
 (588) SOUTH AFRICA
 (589) SWEDEN
 (590) SWITZERLAND
 (591) THAILAND
 (592) TAIPEI
 (593) TAIWAN
 (594) U.K.
 (595) U.S.A.
 (596) CANADA
 (597) CHINA
 (598) DENMARK
 (599) FRANCE
 (600) GERMANY
 (601) HONG KONG
 (602) INDIA
 (603) ITALY
 (604) JAPAN
 (605) KOREA
 (606) MALAYSIA
 (607) MEXICO
 (608) NETHERLANDS
 (609) NORWAY
 (610) POLAND
 (611) PORTUGAL
 (612) ROMANIA
 (613) RUSSIA
 (614) SINGAPORE
 (615) SOUTH AFRICA
 (616) SWEDEN
 (617) SWITZERLAND
 (618) THAILAND
 (619) TAIPEI
 (620) TAIWAN
 (621) U.K.
 (622) U.S.A.
 (623) CANADA
 (624) CHINA
 (625) DENMARK
 (626) FRANCE
 (627) GERMANY
 (628) HONG KONG
 (629) INDIA
 (630) ITALY
 (631) JAPAN
 (632) KOREA
 (633) MALAYSIA
 (634) MEXICO
 (635) NETHERLANDS
 (636) NORWAY
 (637) POLAND
 (638) PORTUGAL
 (639) ROMANIA
 (640) RUSSIA
 (641) SINGAPORE
 (642) SOUTH AFRICA
 (643) SWEDEN
 (644) SWITZERLAND
 (645) THAILAND
 (646) TAIPEI
 (647) TAIWAN
 (648) U.K.
 (649) U.S.A.
 (650) CANADA
 (651) CHINA
 (652) DENMARK
 (653) FRANCE
 (654) GERMANY
 (655) HONG KONG
 (656) INDIA
 (657) ITALY
 (658) JAPAN
 (659) KOREA
 (660) MALAYSIA
 (661) MEXICO
 (662) NETHERLANDS
 (663) NORWAY
 (664) POLAND
 (665) PORTUGAL
 (666) ROMANIA
 (667) RUSSIA
 (668) SINGAPORE
 (669) SOUTH AFRICA
 (670) SWEDEN
 (671) SWITZERLAND
 (672) THAILAND
 (673) TAIPEI
 (674) TAIWAN
 (675) U.K.
 (676) U.S.A.
 (677) CANADA
 (678) CHINA
 (679) DENMARK
 (680) FRANCE
 (681) GERMANY
 (682) HONG KONG
 (683) INDIA
 (684) ITALY
 (685) JAPAN
 (686) KOREA
 (687) MALAYSIA
 (688) MEXICO
 (689) NETHERLANDS
 (690) NORWAY
 (691) POLAND
 (692) PORTUGAL
 (693) ROMANIA
 (694) RUSSIA
 (695) SINGAPORE
 (696) SOUTH AFRICA
 (697) SWEDEN
 (698) SWITZERLAND
 (699) THAILAND
 (700) TAIPEI
 (701) TAIWAN
 (702) U.K.
 (703) U.S.A.
 (704) CANADA
 (705) CHINA
 (706) DENMARK
 (707) FRANCE
 (708) GERMANY
 (709) HONG KONG
 (710) INDIA
 (711) ITALY
 (712) JAPAN
 (713) KOREA
 (714) MALAYSIA
 (715) MEXICO
 (716) NETHERLANDS
 (717) NORWAY
 (718) POLAND
 (719) PORTUGAL
 (720) ROMANIA
 (721) RUSSIA
 (722) SINGAPORE
 (723) SOUTH AFRICA
 (724) SWEDEN
 (725) SWITZERLAND
 (726) THAILAND
 (727) TAIPEI
 (728) TAIWAN
 (729) U.K.
 (730) U.S.A.
 (731) CANADA
 (732) CHINA
 (733) DENMARK
 (734) FRANCE
 (735) GERMANY
 (736) HONG KONG
 (737) INDIA
 (738) ITALY
 (739) JAPAN
 (740) KOREA
 (741) MALAYSIA
 (742) MEXICO
 (743) NETHERLANDS
 (744) NORWAY
 (745) POLAND
 (746) PORTUGAL
 (747) ROMANIA
 (748) RUSSIA
 (749) SINGAPORE
 (750) SOUTH AFRICA
 (751) SWEDEN
 (752) SWITZERLAND
 (753) THAILAND
 (754) TAIPEI
 (755) TAIWAN
 (756) U.K.
 (757) U.S.A.
 (758) CANADA
 (759) CHINA
 (760) DENMARK
 (761) FRANCE
 (762) GERMANY
 (763) HONG KONG
 (764) INDIA
 (765) ITALY
 (766) JAPAN
 (767) KOREA
 (768) MALAYSIA
 (769) MEXICO
 (770) NETHERLANDS
 (771) NORWAY
 (772) POLAND
 (773) PORTUGAL
 (774) ROMANIA
 (775) RUSSIA
 (776) SINGAPORE
 (777) SOUTH AFRICA
 (778) SWEDEN
 (779) SWITZERLAND
 (780) THAILAND
 (781) TAIPEI
 (782) TAIWAN
 (783) U.K.
 (784) U.S.A.
 (785) CANADA
 (786) CHINA
 (787) DENMARK
 (788) FRANCE
 (789) GERMANY
 (790) HONG KONG
 (791) INDIA
 (792) ITALY
 (793) JAPAN
 (794) KOREA
 (795) MALAYSIA
 (796) MEXICO
 (797) NETHERLANDS
 (798) NORWAY
 (799) POLAND
 (800) PORTUGAL
 (801) ROMANIA
 (802) RUSSIA
 (803) SINGAPORE
 (804) SOUTH AFRICA
 (805) SWEDEN
 (806) SWITZERLAND
 (807) THAILAND
 (808) TAIPEI
 (809) TAIWAN
 (810) U.K.
 (811) U.S.A.
 (812) CANADA
 (813) CHINA
 (814) DENMARK
 (815) FRANCE
 (816) GERMANY
 (817) HONG KONG
 (818) INDIA
 (819) ITALY
 (820) JAPAN
 (821) KOREA
 (822) MALAYSIA
 (823) MEXICO
 (824) NETHERLANDS
 (825) NORWAY
 (826) POLAND
 (827) PORTUGAL
 (828) ROMANIA
 (829) RUSSIA
 (830) SINGAPORE
 (831) SOUTH AFRICA
 (832) SWEDEN
 (833) SWITZERLAND
 (834) THAILAND
 (835) TAIPEI
 (836) TAIWAN
 (837) U.K.
 (838) U.S.A.
 (839) CANADA
 (840) CHINA
 (841) DENMARK
 (842) FRANCE
 (843) GERMANY
 (844) HONG KONG
 (845) INDIA
 (846) ITALY
 (847) JAPAN
 (848) KOREA
 (849) MALAYSIA
 (850) MEXICO
 (851) NETHERLANDS
 (852) NORWAY
 (853) POLAND
 (854) PORTUGAL
 (855) ROMANIA
 (856) RUSSIA
 (857) SINGAPORE
 (858) SOUTH AFRICA
 (859) SWEDEN
 (860) SWITZERLAND
 (861) THAILAND
 (862) TAIPEI
 (863) TAIWAN
 (864) U.K.
 (865) U.S.A.
 (866) CANADA
 (867) CHINA
 (868) DENMARK
 (869) FRANCE
 (870) GERMANY
 (871) HONG KONG
 (872) INDIA
 (873) ITALY
 (874) JAPAN
 (875) KOREA
 (876) MALAYSIA
 (877) MEXICO
 (878) NETHERLANDS
 (879) NORWAY
 (880) POLAND
 (881) PORTUGAL
 (882) ROMANIA
 (883) RUSSIA
 (884) SINGAPORE
 (885) SOUTH AFRICA
 (886) SWEDEN
 (887) SWITZERLAND
 (888) THAILAND
 (889) TAIPEI
 (890) TAIWAN
 (891) U.K.
 (892) U.S.A.
 (893) CANADA
 (894) CHINA
 (895) DENMARK
 (896) FRANCE
 (897) GERMANY
 (898) HONG KONG
 (899) INDIA
 (900) ITALY
 (901) JAPAN
 (902) KOREA
 (903) MALAYSIA
 (904) MEXICO
 (905) NETHERLANDS
 (906) NORWAY
 (907) POLAND
 (908) PORTUGAL
 (909) ROMANIA
 (910) RUSSIA
 (911) SINGAPORE
 (912) SOUTH AFRICA
 (913) SWEDEN
 (914) SWITZERLAND
 (915) THAILAND
 (916) TAIPEI
 (917) TAIWAN
 (918) U.K.
 (919) U.S.A.
 (920) CANADA
 (921) CHINA
 (922) DENMARK
 (923) FRANCE
 (924) GERMANY
 (925) HONG KONG
 (926) INDIA
 (927) ITALY
 (928) JAPAN
 (929) KOREA
 (930) MALAYSIA
 (931) MEXICO
 (932) NETHERLANDS
 (933) NORWAY
 (934) POLAND
 (935) PORTUGAL
 (936) ROMANIA
 (937) RUSSIA
 (938) SINGAPORE
 (939) SOUTH AFRICA
 (940) SWEDEN
 (941) SWITZERLAND
 (942) THAILAND
 (943) TAIPEI
 (944) TAIWAN
 (945) U.K.
 (946) U.S.A.
 (947) CANADA
 (948) CHINA
 (949) DENMARK
 (950) FRANCE
 (951) GERMANY
 (952) HONG KONG
 (953) INDIA
 (954) ITALY
 (955) JAPAN
 (956) KOREA
 (957) MALAYSIA
 (958) MEXICO
 (959) NETHERLANDS
 (960) NORWAY
 (961) POLAND
 (962) PORTUGAL
 (963) ROMANIA
 (964) RUSSIA
 (965) SINGAPORE
 (966) SOUTH AFRICA
 (967) SWEDEN
 (968) SWITZERLAND
 (969) THAILAND
 (970) TAIPEI
 (971) TAIWAN
 (972) U.K.
 (973) U.S.A.
 (974) CANADA
 (975) CHINA
 (976) DENMARK
 (977) FRANCE
 (978) GERMANY
 (979) HONG KONG
 (980) INDIA
 (981



NOTICE (continued)

1) ... S.S.A.
2) ... S.S.A.
3) ... S.S.A.
4) ... S.S.A.
5) ... S.S.A.
6) ... S.S.A.
7) ... S.S.A.
8) ... S.S.A.
9) ... S.S.A.
10) ... S.S.A.
11) ... S.S.A.
12) ... S.S.A.
13) ... S.S.A.
14) ... S.S.A.
15) ... S.S.A.
16) ... S.S.A.
17) ... S.S.A.
18) ... S.S.A.
19) ... S.S.A.
20) ... S.S.A.
21) ... S.S.A.
22) ... S.S.A.
23) ... S.S.A.
24) ... S.S.A.
25) ... S.S.A.
26) ... S.S.A.
27) ... S.S.A.
28) ... S.S.A.
29) ... S.S.A.
30) ... S.S.A.
31) ... S.S.A.
32) ... S.S.A.
33) ... S.S.A.
34) ... S.S.A.
35) ... S.S.A.
36) ... S.S.A.
37) ... S.S.A.
38) ... S.S.A.
39) ... S.S.A.
40) ... S.S.A.
41) ... S.S.A.
42) ... S.S.A.
43) ... S.S.A.
44) ... S.S.A.
45) ... S.S.A.
46) ... S.S.A.
47) ... S.S.A.
48) ... S.S.A.
49) ... S.S.A.
50) ... S.S.A.
51) ... S.S.A.
52) ... S.S.A.
53) ... S.S.A.
54) ... S.S.A.
55) ... S.S.A.
56) ... S.S.A.
57) ... S.S.A.
58) ... S.S.A.
59) ... S.S.A.
60) ... S.S.A.
61) ... S.S.A.
62) ... S.S.A.
63) ... S.S.A.
64) ... S.S.A.
65) ... S.S.A.
66) ... S.S.A.
67) ... S.S.A.
68) ... S.S.A.
69) ... S.S.A.
70) ... S.S.A.
71) ... S.S.A.
72) ... S.S.A.
73) ... S.S.A.
74) ... S.S.A.
75) ... S.S.A.
76) ... S.S.A.
77) ... S.S.A.
78) ... S.S.A.
79) ... S.S.A.
80) ... S.S.A.
81) ... S.S.A.
82) ... S.S.A.
83) ... S.S.A.
84) ... S.S.A.
85) ... S.S.A.
86) ... S.S.A.
87) ... S.S.A.
88) ... S.S.A.
89) ... S.S.A.
90) ... S.S.A.
91) ... S.S.A.
92) ... S.S.A.
93) ... S.S.A.
94) ... S.S.A.
95) ... S.S.A.
96) ... S.S.A.
97) ... S.S.A.
98) ... S.S.A.
99) ... S.S.A.
100) ... S.S.A.

FUNCTION	PARTS NAME	REMARKS
VIDEO DRIVER	IC301	VIDEO DRIVER
COMPOSITE SELECTOR	IC302	COMPOSITE SELECTOR
VIDEO DRIVER	IC303	VIDEO DRIVER
COMPOSITE SELECTOR	IC304	COMPOSITE SELECTOR
VIDEO DRIVER	IC305	VIDEO DRIVER



To VIDEO sheet3
(Connect)
Page 104 [88]
to VIDEO (2) CB981

To DIGITAL
Page 95 [88]
to DIGITAL (1) CB853

To sheet2
(SP&Power)
to VIDEO 2/3

* All voltages are measured with a 10MΩV DC electronic voltmeter.
* Component values in italics are not standard values and are subject to change without notice.
* Schematic diagram is subject to change without notice.

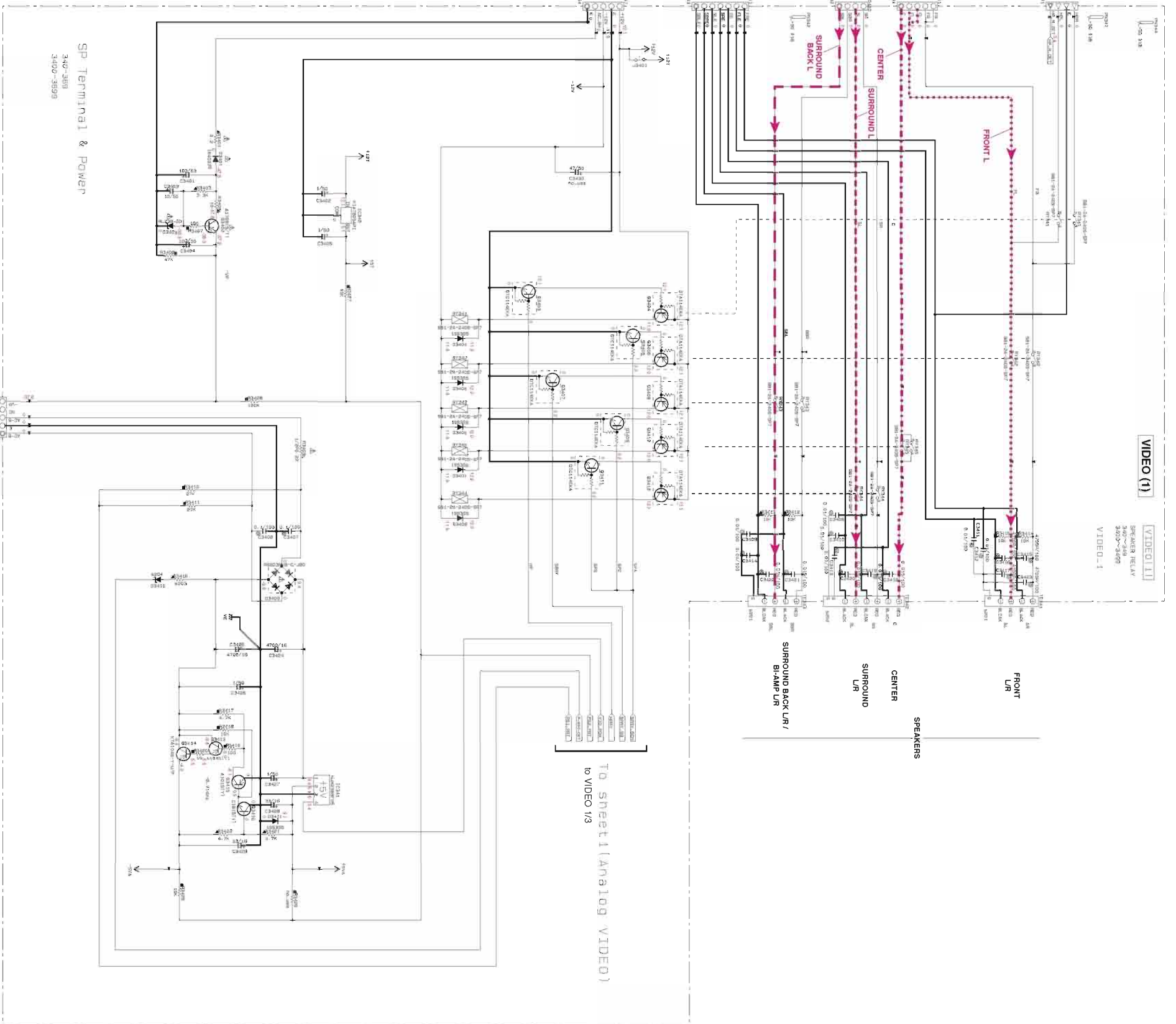
Page 98 [H6]
to OPERATION (1)_CB442

Page 100 [H5]
to MAIN (1)_CB101

Page 100 [H4]
to MAIN (1)_CB100

Page 100 [H7]
to MAIN (1)_CB102

Page 100 [H9]
to MAIN (1)_CB105



Digitalization Part List

NO.	QTY	LOC.	U	C	E	S	A	QTY	L
8001	1	12B41							
8002	1	12B41							
8003	1	12B41							
8004	1	12B41							
8005	1	12B41							
8006	1	12B41							
8007	1	12B41							
8008	1	12B41							
8009	1	12B41							
8010	1	12B41							

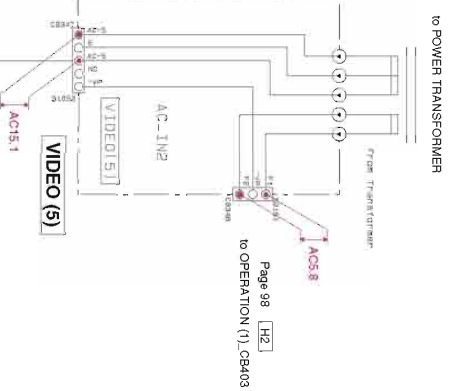
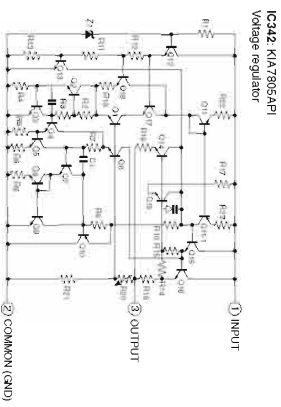
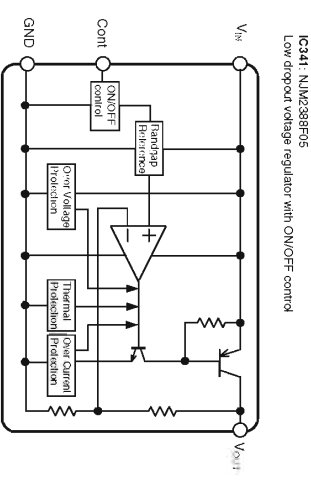
NOTICE (Internal)

RESISTOR

RESISTOR	VALUE	MARKING	TYPE
1	10K	10K	GENERAL PURPOSE
2	100K	100K	GENERAL PURPOSE
3	1M	1M	GENERAL PURPOSE
4	10M	10M	GENERAL PURPOSE
5	100M	100M	GENERAL PURPOSE
6	1K	1K	GENERAL PURPOSE
7	10K	10K	GENERAL PURPOSE
8	100K	100K	GENERAL PURPOSE
9	1M	1M	GENERAL PURPOSE
10	10M	10M	GENERAL PURPOSE
11	100M	100M	GENERAL PURPOSE

PACKET TYPE

PACKET TYPE	VALUE	MARKING	TYPE
1	10K	10K	GENERAL PURPOSE
2	100K	100K	GENERAL PURPOSE
3	1M	1M	GENERAL PURPOSE
4	10M	10M	GENERAL PURPOSE
5	100M	100M	GENERAL PURPOSE
6	1K	1K	GENERAL PURPOSE
7	10K	10K	GENERAL PURPOSE
8	100K	100K	GENERAL PURPOSE
9	1M	1M	GENERAL PURPOSE
10	10M	10M	GENERAL PURPOSE
11	100M	100M	GENERAL PURPOSE



Page 98 [H2]
to OPERATION (1)_CB403

SP Terminal & Power
3400-3818
3400-3938

* All voltages are measured with a 100MΩ DC electronic voltmeter.
 * Components having identical characteristics are shown. A part must be replaced with parts having specifications equal to those originally installed.
 * Schematic diagram is subject to change without notice.

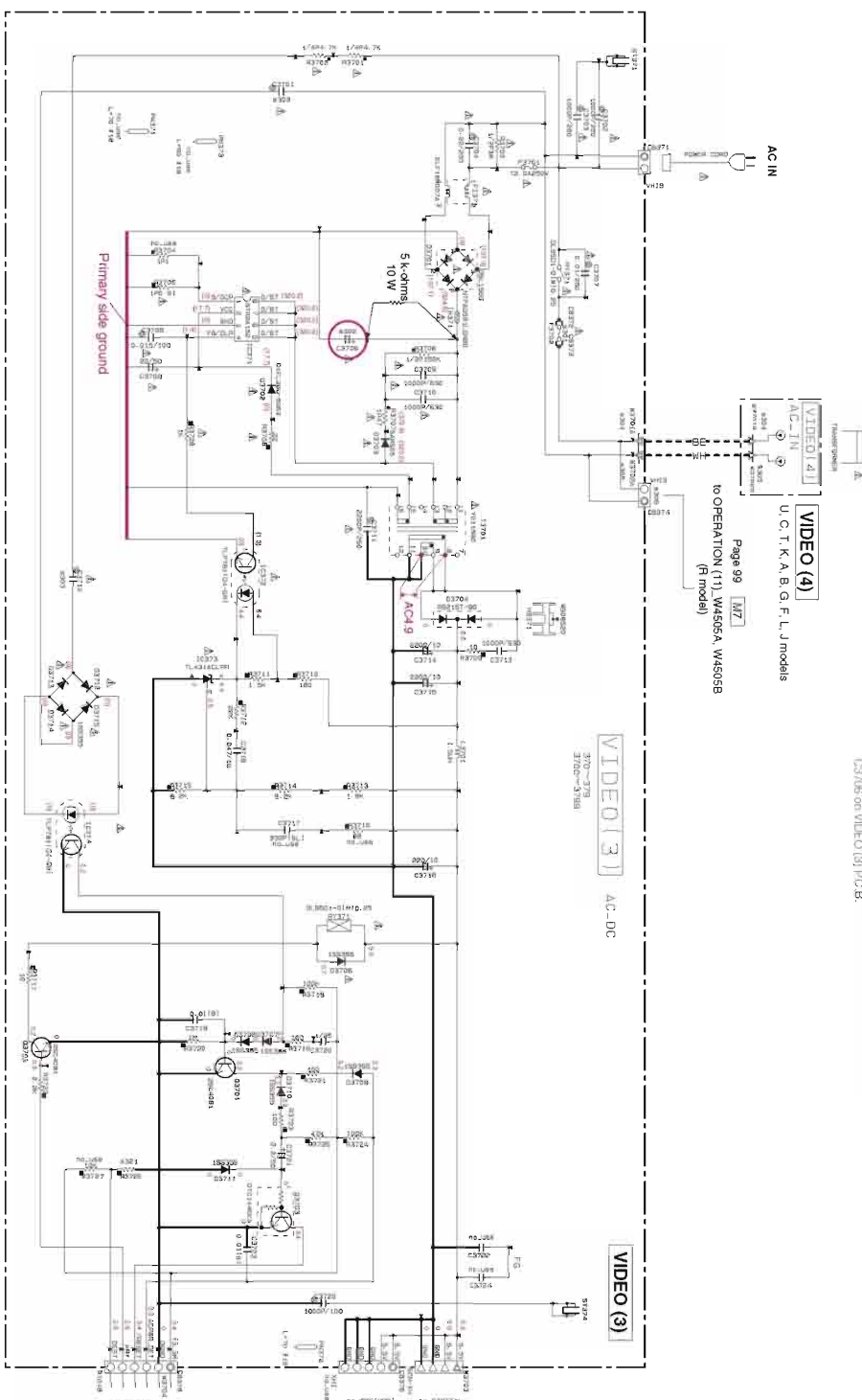
● 電圧は、100MΩの電圧計で測定したものです。
 ● 同等の特性をもった部品を交換してください。
 ● すべての部品は、同等の特性をもった部品で置き換えてください。
 ● 回路図は、変更なしと断言できません。

Notes

- Some internal parts in this product contain high voltages and are dangerous. Be sure to take safety measures during servicing such as wearing a grounding glove.
- Before starting any repair work, connect a discharging resistor (5 k-ohms/10 W) to the terminals of each capacitor measured before to discharge it safely.
- The time required for discharging is about 30 seconds per each.
- C3706 on VIDEO (3) PC B.

注意

- この製品の内部には高電圧部分の部品が含まれており、修理の際は、接地手袋の着用や接地棒の使用など、安全対策を行ってください。
- 修理作業を開始する前に、各コンデンサの端子に5kΩ/10Wの放電抵抗を接続して放電させてください。放電に所要時間は各コンデンサ約30秒間です。
- VIDEO(3)PCBのC3706



Discharge Part List

Part No.	Part Name	Value	QTY	Part No.	Part Name	Value	QTY
4001	RES	5.0K	1	4002	RES	100K	1
4003	RES	100K	1	4004	RES	100K	1
4005	RES	100K	1	4006	RES	100K	1
4007	RES	100K	1	4008	RES	100K	1
4009	RES	100K	1	4010	RES	100K	1
4011	RES	100K	1	4012	RES	100K	1
4013	RES	100K	1	4014	RES	100K	1
4015	RES	100K	1	4016	RES	100K	1
4017	RES	100K	1	4018	RES	100K	1
4019	RES	100K	1	4020	RES	100K	1
4021	RES	100K	1	4022	RES	100K	1
4023	RES	100K	1	4024	RES	100K	1
4025	RES	100K	1	4026	RES	100K	1
4027	RES	100K	1	4028	RES	100K	1
4029	RES	100K	1	4030	RES	100K	1
4031	RES	100K	1	4032	RES	100K	1
4033	RES	100K	1	4034	RES	100K	1
4035	RES	100K	1	4036	RES	100K	1
4037	RES	100K	1	4038	RES	100K	1
4039	RES	100K	1	4040	RES	100K	1
4041	RES	100K	1	4042	RES	100K	1
4043	RES	100K	1	4044	RES	100K	1
4045	RES	100K	1	4046	RES	100K	1
4047	RES	100K	1	4048	RES	100K	1
4049	RES	100K	1	4050	RES	100K	1
4051	RES	100K	1	4052	RES	100K	1
4053	RES	100K	1	4054	RES	100K	1
4055	RES	100K	1	4056	RES	100K	1
4057	RES	100K	1	4058	RES	100K	1
4059	RES	100K	1	4060	RES	100K	1
4061	RES	100K	1	4062	RES	100K	1
4063	RES	100K	1	4064	RES	100K	1
4065	RES	100K	1	4066	RES	100K	1
4067	RES	100K	1	4068	RES	100K	1
4069	RES	100K	1	4070	RES	100K	1
4071	RES	100K	1	4072	RES	100K	1
4073	RES	100K	1	4074	RES	100K	1
4075	RES	100K	1	4076	RES	100K	1
4077	RES	100K	1	4078	RES	100K	1
4079	RES	100K	1	4080	RES	100K	1
4081	RES	100K	1	4082	RES	100K	1
4083	RES	100K	1	4084	RES	100K	1
4085	RES	100K	1	4086	RES	100K	1
4087	RES	100K	1	4088	RES	100K	1
4089	RES	100K	1	4090	RES	100K	1
4091	RES	100K	1	4092	RES	100K	1
4093	RES	100K	1	4094	RES	100K	1
4095	RES	100K	1	4096	RES	100K	1
4097	RES	100K	1	4098	RES	100K	1
4099	RES	100K	1	4100	RES	100K	1

NOTICE (Foreign)

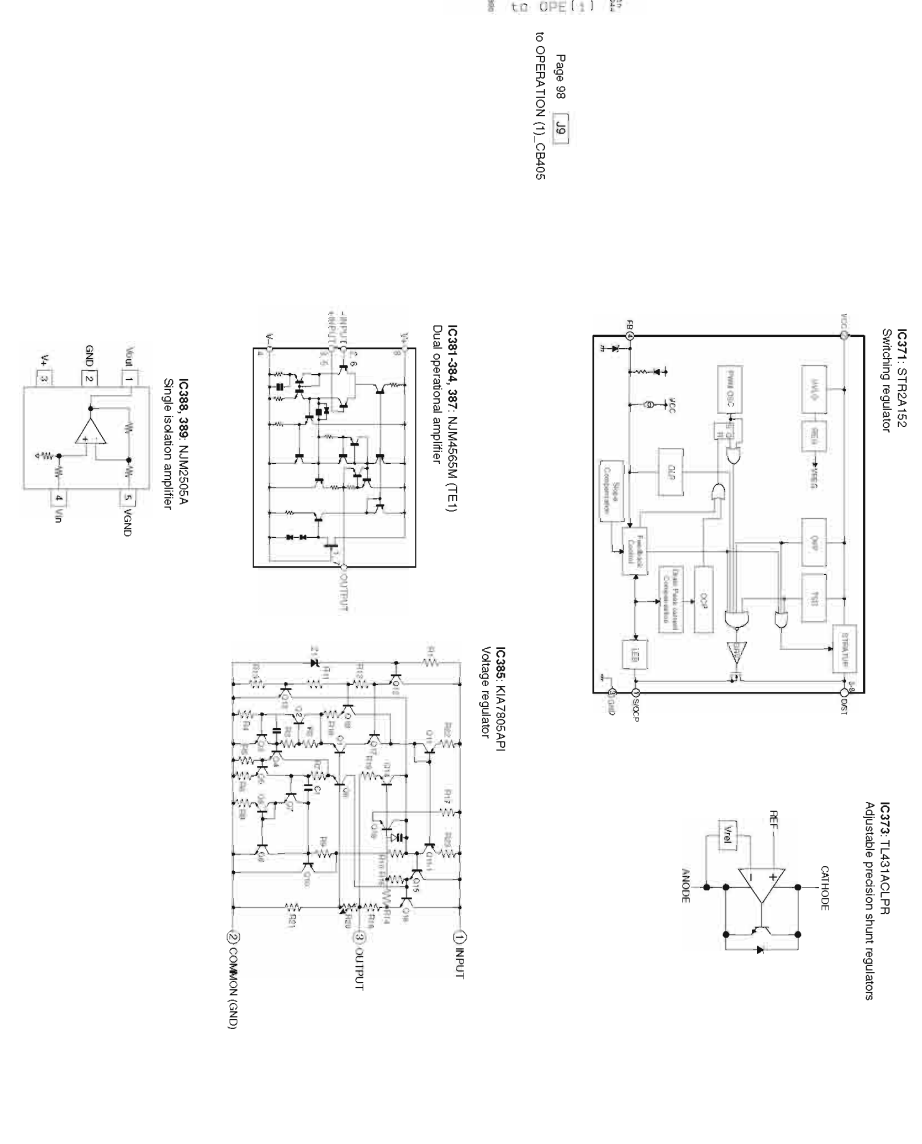
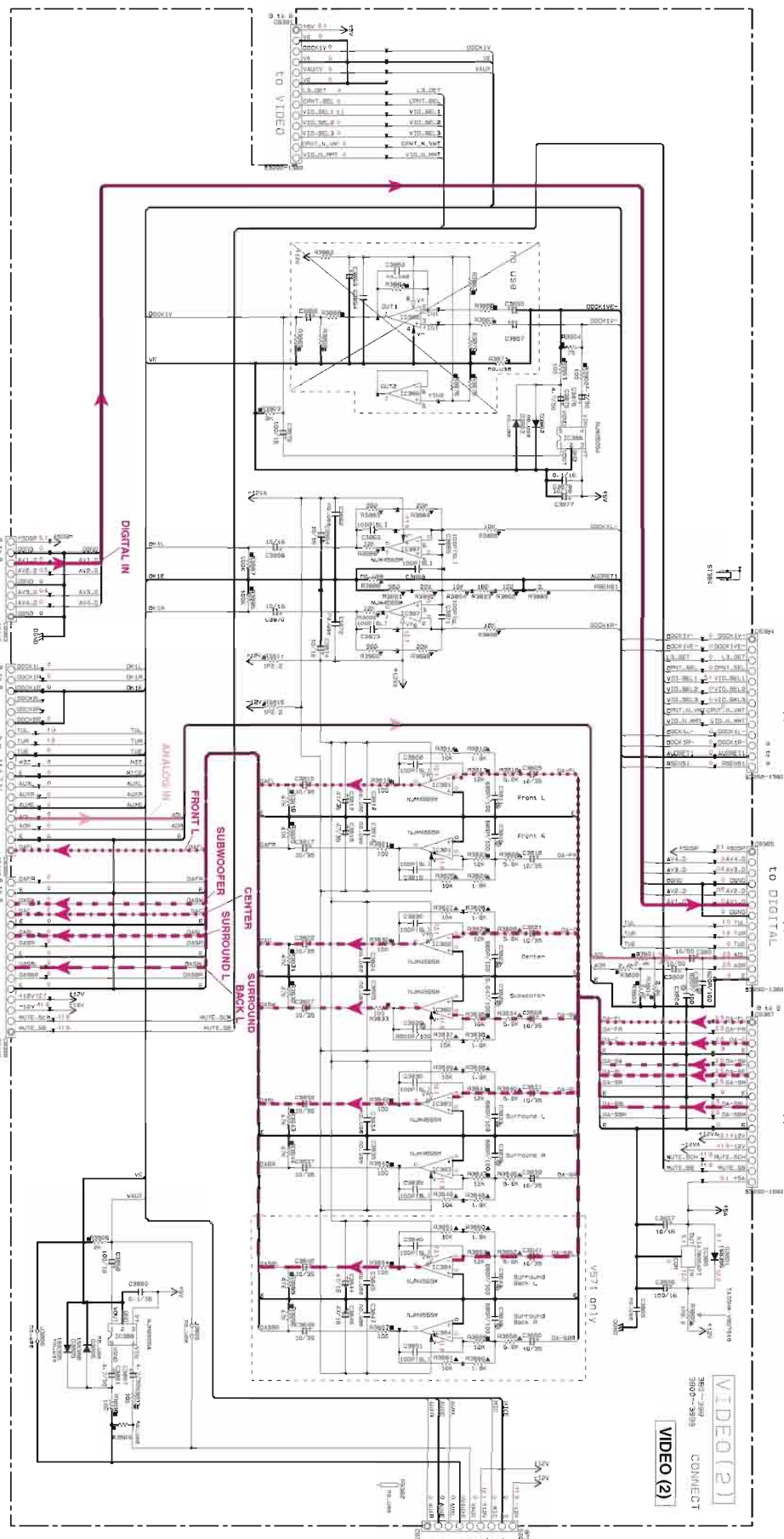
- U U.S.A.
- C CANADA
- M MEXICO
- K KOREA
- J JAPAN
- B BRAZIL
- S SPAIN
- L LATIN AMERICA
- D DENMARK

RESISTOR

RESISTOR	PART NAME	UNIT VALUE
1	RES	100K
2	RES	100K
3	RES	100K
4	RES	100K
5	RES	100K
6	RES	100K
7	RES	100K
8	RES	100K
9	RES	100K
10	RES	100K
11	RES	100K

CAPACITOR

CAPACITOR	UNIT VALUE
1	100K
2	100K
3	100K
4	100K
5	100K
6	100K
7	100K
8	100K
9	100K
10	100K
11	100K



★ All voltages are measured with a 1.0kΩV DC electronic voltmeter.
 ★ Components having special characteristics are marked with a star.
 ★ Parts having specifications equal to those originally installed.
 ★ Schematic diagram is subject to change without notice.

■ REPLACEMENT PARTS LIST

● ELECTRICAL COMPONENT PARTS

WARNING

- Components having special characteristics are marked Δ and must be replaced with parts having specifications equal to those originally installed.
- Δ 印のある部分は、安全確保部品を示しています。部品の交換が必要な場合、パーツリストに記載されている部品を使用してください。
- 部品価格ランクは、予告なく変更することがあります。

ABBREVIATIONS IN THIS LIST ARE AS FOLLOWS:

C.A.EL.CHP	: CHIP ALUMI.ELECTROLYTIC CAP	L.DTCT	: LIGHT DETECTING MODULE
C.CE	: CERAMIC CAP	LED.CHP	: CHIP LED
C.CE.ARRAY	: CERAMIC CAP ARRAY	LED.DSPLY	: LED DISPLAY
C.CE.CHP	: CHIP CERAMIC CAP	LED.INFRD	: LED,INFRARED
C.CE.M.CHP	: CHIP MULTILAYER CERAMIC CAP	PHOT.CPL	: PHOTO COUPLER
C.CE.SAFTY	: RECOGNIZED CERAMIC CAP	PHOT.INTR	: PHOTO INTERRUPTER
C.CE.TUBLR	: CERAMIC TUBULAR CAP	PHOT.RFLCT	: PHOTO REFLECTOR
C.CE.SMI	: SEMI CONDUCTIVE CERAMIC CAP	PHOT.TR	: PHOTO TRANSISTOR
C.EL	: ELECTROLYTIC CAP	PIN.TEST	: PIN,TEST POINT
C.EL.BP	: BIPOLAR ELECTROLYTIC CAP	PTC.THERMISTOR	: POSITIVE TEMPERATURE COEFFICIENT THERMISTOR
C.EL.CHP	: CHIP ELECTROLYTIC CAP	R.ARRAY	: RESISTOR ARRAY
C.MICA	: MICA CAP	R.CAR.	: CARBON RESISTOR
C.ML.FLM	: MULTILAYER FILM CAP	R.CAR.CHP	: CHIP RESISTOR
C.MP	: METALLIZED POLYESTER FILM CAP	R.CAR.FP	: FLAME PROOF CARBON RESISTOR
C.MYLAR	: MYLAR FILM CAP	R.CEMENT	: CEMENT RESISTOR
C.MYLAR.ML	: MULTILAYER MYLAR FILM CAP	R.FUS	: FUSIBLI RESISTOR
C.NIOB.OXD	: NIOBIUM OXIDE CAP	R.MTL.CHP	: CHIP METAL FILM RESISTOR
C.PAPER	: PAPER CAPACITOR	R.MTL.FLM	: METAL FILM RESISTOR
C.PLS	: POLYSTYRENE FILM CAP	R.MTL.OXD	: METAL OXIDE FILM RESISTOR
C.POL	: POLYESTER FILM CAP	R.MTL.PLAT	: METAL PLATE RESISTOR
C.PP	: POLYPROPYLENE FILM CAP	RSNR.CE	: CERAMIC RESONATOR
C.PP.CHP	: CHIP POLYPROPYLENE FILM CAP	RSNR.CRYS	: CRYSTAL RESONATOR
C.TNTL	: TANTALIUM CAP	SCR.BND.HD	: BIND HEAD B-TIGHT SCREW
C.TNTL.CHP	: CHIP TANTALIUM CAP	SCR.TERM	: SCREW TERMINAL
C.TRIM	: TRIMMER CAP	SCR.TR	: SCREW,TRANSISTOR
CN	: CONNECTOR	SURG.PRTCT	: SURGE PROTECTOR
CN.BS.PIN	: CONNECTOR,BASE PIN	SUPRT.PCB	: P.C.B. SUPPORT
CN.CANNON	: CONNECTOR,CANNON	SW.LEVER	: LEVER SWITCH
CN.DIN	: CONNECTOR,DIN	SW.MICRO	: MICRO SWITCH
CN.FLAT	: CONNECTOR,FLAT CABLE	SW.LEAF	: LEAF SWITCH
CN.FFC	: CONNECTOR,FLEXIBLE FLAT CABLE	SW.PUSH	: PUSH SWITCH
CN.HDMI	: HDMI CONNECTOR	SW.RT	: ROTARY SWITCH
CN.PHOTO.R	: PHOTO FIBER SENSOR,RECEIVED	SW.RT.ENC	: ROTARY ENCODER
CN.PHOTO.T	: PHOTO FIBER SENSOR,TRANSMITTED	SW.RT.MTR	: ROTARY SWITCH WITH MOTOR
DIODE.ARRAY	: DIODE ARRAY	SW.SLIDE	: SLIDE SWITCH
DIODE.BRG	: DIODE BRIDGE	SW.TACT	: TACT SWITCH
DIODE.CHP	: CHIP DIODE	TERM.SP	: SPEAKER TERMINAL
DIODE.VAR	: VARACTOR DIODE	TERM.WRAP	: WRAPPING TERMINAL
DIODE.ZENR	: ZENER DIODE	THRMST.CHP	: CHIP THERMISTOR
DIODE.Z.CHP	: CHIP ZENER DIODE	TR	: TRANSISTOR
DIODE.SCHOTTKY	: SCHOTTKY BARRIER DIODE	TR.CHP	: CHIP TRANSISTOR
DIODE.PHOT	: PHOTO DIODE	TR.DGT	: DIGITAL TRANSISTOR
FER.BEAD	: FERRITE BEADS	TR.DGT.CHP	: CHIP DIGITAL TRANSISTOR
FER.CORE	: FERRITE CORE	TR.PAIR	: PAIR TRANSISTOR
FET.CHP	: CHIP FET	TRANS	: TRANSFORMER
FL.DSPLY	: FLUORESCENT DISPLAY	TRANS.PULS	: PULSE TRANSFORMER
FLTR.CE	: CERAMIC FILTER	TRANS.PWR	: POWER TRANSFORMER
FLTR.COMB	: COMB FILTER MODULE	VARISTOR.CHP	: CHIP VARISTOR
FLTR.LC.RF	: LC FILTER,EMI	VOLT.SELCT	: VOLTAGE SELECTOR
FUSE.CHP	: CHIP FUSE	VR	: ROTARY POTENTIOMETER
GND.MTL	: GROUND PLATE	VR.MTR	: POTENTIOMETER WITH MOTOR
GND.TERM	: GROUND TERMINAL	VR.SLIDE	: SLIDE POTENTIOMETER
JUMPER.CN	: JUMPER CONNECTOR	VR.SW	: POTENTIOMETER WITH SWITCH
JUMPER.TST	: JUMPER,TEST POINT	VR.TRIM	: TRIMMER POTENTIOMETER

DIGITAL

Ref No.	Part No.	Description	Remarks	Markets	部 品 名	ランク	
*	WW915400	P. C. B.	DIGITAL	V571	JUCRTKAL	PCB DIGITAL	
*	WW924900	P. C. B.	DIGITAL	5064	UK	PCB DIGITAL	
*	WW915500	P. C. B.	DIGITAL	V571	BGF	PCB DIGITAL	
*	WW925000	P. C. B.	DIGITAL	5064	GF	PCB DIGITAL	
* CB1	WW271700	CN. HDMI	19P HDMI			HDMIコネクター	
CB2	WD295600	CN. BS. PIN	20P SE			コネクター	03
* CB4-8	WW271700	CN. HDMI	19P HDMI			HDMIコネクター	
CB25	VQ044100	CN. BS. PIN	5P		BGF	コネクター	01
* CB41	WW271700	CN. HDMI	19P HDMI			HDMIコネクター	
CB42	VY939800	CN. BS. PIN	20P TE			コネクター	02
CB43	VL844800	CN. BS. PIN	4P			コネクター	01
CB44	VB390100	CN. BS. PIN	5P			コネクター	01
CB45	VL844900	CN. BS. PIN	5P			コネクター	01
CB53	VF982300	CN. BS. PIN	17P			コネクター	01
CB55	VF728300	CN	6P			コネクター	01
CB56	VK024800	CN. BS. PIN	4P			ワイヤートラップ	01
CB57	VF728200	CN. BS. PIN	10P			コネクター	01
CB58	VG518300	PIN. BASE	2P RF TE			ベースピン	01
CB59	VQ047200	CN. BS. PIN	9P			コネクター	01
CB60-61	VQ961600	CN	13P			ハウジング	01
CB62	VQ961900	CN	16P			ハウジング	03
CB63	VQ047200	CN. BS. PIN	9P			コネクター	01
CB64	VM973500	CN. BS. PIN	17P			コネクター	01
C101	UF038100	C. EL. CHP	100uF 16V			チップケミコン	01
C102	US635100	C. CE. CHP	0. 1uF 16V			チップセラコン	01
C103	US663100	C. CE. CHP	1000pF 50V			チップセラコン	01
C104	WG888300	C. CE. M. CHP	10uF 6. 3V			チップ積層セラコン	01
C105-106	US635100	C. CE. CHP	0. 1uF 16V			チップセラコン	01
C107-108	US634100	C. CE. CHP	0. 01uF 16V			チップセラコン	01
* C109-110	US662470	C. CE. CHP	470pF 50V			チップセラコン	01
C111	US663100	C. CE. CHP	1000pF 50V			チップセラコン	01
C112	US635100	C. CE. CHP	0. 1uF 16V			チップセラコン	01
C113	WG888300	C. CE. M. CHP	10uF 6. 3V			チップ積層セラコン	01
C114-115	US635100	C. CE. CHP	0. 1uF 16V			チップセラコン	01
C116	US634100	C. CE. CHP	0. 01uF 16V			チップセラコン	01
C117	US635100	C. CE. CHP	0. 1uF 16V			チップセラコン	01
C118	US634100	C. CE. CHP	0. 01uF 16V			チップセラコン	01
C119	US635100	C. CE. CHP	0. 1uF 16V			チップセラコン	01
C120	WD758300	C. CE. CHP	10uF 10V			チップセラコン	01
C121	US634100	C. CE. CHP	0. 01uF 16V			チップセラコン	01
C122	US663100	C. CE. CHP	1000pF 50V			チップセラコン	01
C123	US634100	C. CE. CHP	0. 01uF 16V			チップセラコン	01
C124	WD758300	C. CE. CHP	10uF 10V			チップセラコン	01
C125-126	US634100	C. CE. CHP	0. 01uF 16V			チップセラコン	01
C127	US663100	C. CE. CHP	1000pF 50V			チップセラコン	01
C129	US634100	C. CE. CHP	0. 01uF 16V			チップセラコン	01
C130	WD758300	C. CE. CHP	10uF 10V			チップセラコン	01
C131	US634100	C. CE. CHP	0. 01uF 16V			チップセラコン	01
C132	US635100	C. CE. CHP	0. 1uF 16V			チップセラコン	01
C133-135	US634100	C. CE. CHP	0. 01uF 16V			チップセラコン	01
C136	US635100	C. CE. CHP	0. 1uF 16V			チップセラコン	01
C137	US634100	C. CE. CHP	0. 01uF 16V			チップセラコン	01
C138	US635100	C. CE. CHP	0. 1uF 16V			チップセラコン	01
C139	US634100	C. CE. CHP	0. 01uF 16V			チップセラコン	01
C140	US635100	C. CE. CHP	0. 1uF 16V			チップセラコン	01
C141-142	US634100	C. CE. CHP	0. 01uF 16V			チップセラコン	01
C143	US635100	C. CE. CHP	0. 1uF 16V			チップセラコン	01

* New Parts *新規部品

DIGITAL

Ref No.	Part No.	Description	Remarks	Markets	部 品 名	ランク	
C144	US663100	C. CE. CHP	1000pF	50V		チップセラコン	01
C145-146	US635100	C. CE. CHP	0.1uF	16V		チップセラコン	01
C147-148	US634100	C. CE. CHP	0.01uF	16V		チップセラコン	01
C149-151	US635100	C. CE. CHP	0.1uF	16V		チップセラコン	01
C152	WG888300	C. CE. M. CHP	10uF	6.3V		チップ積層セラコン	01
C153-154	US634100	C. CE. CHP	0.01uF	16V		チップセラコン	01
C155	US635100	C. CE. CHP	0.1uF	16V		チップセラコン	01
C156-157	US634100	C. CE. CHP	0.01uF	16V		チップセラコン	01
C158	WG888300	C. CE. M. CHP	10uF	6.3V		チップ積層セラコン	01
C159	US663100	C. CE. CHP	1000pF	50V		チップセラコン	01
C160-169	US635100	C. CE. CHP	0.1uF	16V		チップセラコン	01
C170-171	WG888300	C. CE. M. CHP	10uF	6.3V		チップ積層セラコン	01
C172-173	US635100	C. CE. CHP	0.1uF	16V		チップセラコン	01
C174-178	US663100	C. CE. CHP	1000pF	50V		チップセラコン	01
C179-181	US635100	C. CE. CHP	0.1uF	16V		チップセラコン	01
C182	WG888300	C. CE. M. CHP	10uF	6.3V		チップ積層セラコン	01
C183	US635100	C. CE. CHP	0.1uF	16V		チップセラコン	01
C184-188	US663100	C. CE. CHP	1000pF	50V		チップセラコン	01
C189	WD758300	C. CE. CHP	10uF	10V		チップセラコン	01
C190	US634100	C. CE. CHP	0.01uF	16V		チップセラコン	01
C191	US635100	C. CE. CHP	0.1uF	16V		チップセラコン	01
C192	US634100	C. CE. CHP	0.01uF	16V		チップセラコン	01
C193	US635100	C. CE. CHP	0.1uF	16V		チップセラコン	01
C194-195	US634100	C. CE. CHP	0.01uF	16V		チップセラコン	01
C196-197	WD758300	C. CE. CHP	10uF	10V		チップセラコン	01
C198-199	US635100	C. CE. CHP	0.1uF	16V		チップセラコン	01
C200	WD758300	C. CE. CHP	10uF	10V		チップセラコン	01
C201	US635100	C. CE. CHP	0.1uF	16V		チップセラコン	01
C202-206	US634100	C. CE. CHP	0.01uF	16V		チップセラコン	01
C207	US635100	C. CE. CHP	0.1uF	16V		チップセラコン	01
C208-210	US634100	C. CE. CHP	0.01uF	16V		チップセラコン	01
C211-212	US635100	C. CE. CHP	0.1uF	16V		チップセラコン	01
C213	WD758300	C. CE. CHP	10uF	10V		チップセラコン	01
C214-215	US634100	C. CE. CHP	0.01uF	16V		チップセラコン	01
C216	US635100	C. CE. CHP	0.1uF	16V		チップセラコン	01
C217	WD758300	C. CE. CHP	10uF	10V		チップセラコン	01
C218-219	US663100	C. CE. CHP	1000pF	50V		チップセラコン	01
C220	US635100	C. CE. CHP	0.1uF	16V		チップセラコン	01
C221	US663100	C. CE. CHP	1000pF	50V		チップセラコン	01
* C222	US662470	C. CE. CHP	470pF	50V		チップセラコン	01
C223-224	US046100	C. CE. CHP	1uF	25V		チップセラコン	01
* C225	US661220	C. CE. CHP	22pF	50V		チップセラコン	01
C226	WD758300	C. CE. CHP	10uF	10V		チップセラコン	01
C227	US663100	C. CE. CHP	1000pF	50V		チップセラコン	01
C228-229	US635100	C. CE. CHP	0.1uF	16V		チップセラコン	01
C232	WD758300	C. CE. CHP	10uF	10V		チップセラコン	01
C235	US046100	C. CE. CHP	1uF	25V		チップセラコン	01
C236-238	US634100	C. CE. CHP	0.01uF	16V		チップセラコン	01
C239-242	US635100	C. CE. CHP	0.1uF	16V		チップセラコン	01
C251	US663100	C. CE. CHP	1000pF	50V		チップセラコン	01
C252	UF017220	C. EL. CHP	22uF	6.3V		チップケミコン	01
C253-258	US635100	C. CE. CHP	0.1uF	16V		チップセラコン	01
C259	WD758300	C. CE. CHP	10uF	10V		チップセラコン	01
C260	US635100	C. CE. CHP	0.1uF	16V		チップセラコン	01
C261-263	WD758300	C. CE. CHP	10uF	10V		チップセラコン	01
C265-267	US635100	C. CE. CHP	0.1uF	16V		チップセラコン	01
C268	US663100	C. CE. CHP	1000pF	50V		チップセラコン	01

* New Parts * 新規部品

DIGITAL

Ref No.	Part No.	Description	Remarks	Markets	部 品 名	ランク	
C269-271	US635100	C. CE. CHP	0. 1uF	16V		チップセラコン	01
C272-273	US634100	C. CE. CHP	0. 01uF	16V		チップセラコン	01
C274	US635100	C. CE. CHP	0. 1uF	16V		チップセラコン	01
C276	US634100	C. CE. CHP	0. 01uF	16V		チップセラコン	01
C277	US635100	C. CE. CHP	0. 1uF	16V		チップセラコン	01
C279	US034820	C. CE. CHP	0. 082uF	16V K		チップセラコン	01
C280	US064100	C. CE. CHP	0. 01uF	50V B		チップセラコン	01
C281	US634100	C. CE. CHP	0. 01uF	16V		チップセラコン	01
C282-283	US635100	C. CE. CHP	0. 1uF	16V		チップセラコン	01
C284	US060800	C. CE. CHP	8pF	50V B		チップセラコン	01
C285	US061100	C. CE. CHP	10pF	50V B		チップセラコン	01
C286-287	US046100	C. CE. CHP	1uF	25V		チップセラコン	01
C288	UF017220	C. EL. CHP	22uF	6. 3V		チップケミコン	01
C289-290	US635100	C. CE. CHP	0. 1uF	16V		チップセラコン	01
C291	WD758300	C. CE. CHP	10uF	10V		チップセラコン	01
C292	US663100	C. CE. CHP	1000pF	50V		チップセラコン	01
C293-294	WG251600	C. CE. CHP	4. 7uF	6. 3V		チップセラコン	01
C295	US663100	C. CE. CHP	1000pF	50V		チップセラコン	01
C296	US635100	C. CE. CHP	0. 1uF	16V		チップセラコン	01
C333	US635100	C. CE. CHP	0. 1uF	16V		チップセラコン	01
C334	US663100	C. CE. CHP	1000pF	50V		チップセラコン	01
C335-337	US635100	C. CE. CHP	0. 1uF	16V		チップセラコン	01
C338-339	US663100	C. CE. CHP	1000pF	50V		チップセラコン	01
C340-350	US635100	C. CE. CHP	0. 1uF	16V		チップセラコン	01
C351-353	UF417220	C. EL. CHP	22uF	6. 3V		チップケミコン	01
C354-355	US635100	C. CE. CHP	0. 1uF	16V		チップセラコン	01
C356-357	US663100	C. CE. CHP	1000pF	50V		チップセラコン	01
C358-360	US635100	C. CE. CHP	0. 1uF	16V		チップセラコン	01
C361	WG888300	C. CE. M. CHP	10uF	6. 3V		チップ積層セラコン	01
C362-367	US635100	C. CE. CHP	0. 1uF	16V		チップセラコン	01
C368	US663100	C. CE. CHP	1000pF	50V		チップセラコン	01
C369	US635100	C. CE. CHP	0. 1uF	16V		チップセラコン	01
C370	WG888300	C. CE. M. CHP	10uF	6. 3V		チップ積層セラコン	01
C371	UF417220	C. EL. CHP	22uF	6. 3V		チップケミコン	01
C372	US663100	C. CE. CHP	1000pF	50V		チップセラコン	01
C373	WG888300	C. CE. M. CHP	10uF	6. 3V		チップ積層セラコン	01
C374-380	US635100	C. CE. CHP	0. 1uF	16V		チップセラコン	01
C381-382	US663100	C. CE. CHP	1000pF	50V		チップセラコン	01
C383	US635100	C. CE. CHP	0. 1uF	16V		チップセラコン	01
C384-385	WG888300	C. CE. M. CHP	10uF	6. 3V		チップ積層セラコン	01
C386-388	US635100	C. CE. CHP	0. 1uF	16V		チップセラコン	01
C401	US663100	C. CE. CHP	1000pF	50V		チップセラコン	01
* C402	US662220	C. CE. CHP	220pF	50V		チップセラコン	01
C403	WG888300	C. CE. M. CHP	10uF	6. 3V		チップ積層セラコン	01
C404	US663100	C. CE. CHP	1000pF	50V		チップセラコン	01
C405-406	US635100	C. CE. CHP	0. 1uF	16V		チップセラコン	01
C407-413	US634100	C. CE. CHP	0. 01uF	16V		チップセラコン	01
* C414	US662470	C. CE. CHP	470pF	50V		チップセラコン	01
* C415	US662220	C. CE. CHP	220pF	50V		チップセラコン	01
C416	US663100	C. CE. CHP	1000pF	50V		チップセラコン	01
C417-418	WG251600	C. CE. CHP	4. 7uF	6. 3V		チップセラコン	01
C419	WG614300	C. CE. CHP	22uF	10VE		チップセラコン	01
C420	US635100	C. CE. CHP	0. 1uF	16V		チップセラコン	01
C421	WJ344400	C. CE. CHP	22uF	6. 3V		チップセラコン	01
C423	WG888300	C. CE. M. CHP	10uF	6. 3V		チップ積層セラコン	01
* C424	US663390	C. CE. CHP	3900pF	50V		チップセラコン	01
C425	US663100	C. CE. CHP	1000pF	50V		チップセラコン	01

* New Parts * 新規部品

DIGITAL

Ref No.	Part No.	Description	Remarks	Markets	部 品 名	ランク
C426	US663330	C. CE. CHP	3300pF 50V		チップセラコン	
C427	US663100	C. CE. CHP	1000pF 50V		チップセラコン	01
C428-429	US635100	C. CE. CHP	0.1uF 16V		チップセラコン	01
C430	WH311600	C. CE. CHP	10uF 10V		チップセラコン	01
C431	WJ344400	C. CE. CHP	22uF 6.3V		チップセラコン	01
C433-435	US635100	C. CE. CHP	0.1uF 16V		チップセラコン	01
* C436	US663390	C. CE. CHP	3900pF 50V		チップセラコン	01
C437	US663100	C. CE. CHP	1000pF 50V		チップセラコン	01
* C438	US643680	C. CE. CHP	6800pF 25V		チップセラコン	
C439	US663100	C. CE. CHP	1000pF 50V		チップセラコン	01
C440-441	US635100	C. CE. CHP	0.1uF 16V		チップセラコン	01
C443	US635100	C. CE. CHP	0.1uF 16V		チップセラコン	01
C444	WH311600	C. CE. CHP	10uF 10V		チップセラコン	01
C448	US635100	C. CE. CHP	0.1uF 16V		チップセラコン	01
C449	US061120	C. CE. CHP	12pF 50V B		チップセラコン	01
C450	WG888300	C. CE. M. CHP	10uF 6.3V		チップ積層セラコン	01
C451	US635100	C. CE. CHP	0.1uF 16V		チップセラコン	01
C452	US061150	C. CE. CHP	15pF 50V B		チップセラコン	01
C453	WD758300	C. CE. CHP	10uF 10V		チップセラコン	01
C459-460	US635100	C. CE. CHP	0.1uF 16V		チップセラコン	01
C461	WH772100	C. EL	1000uF 10V		ケミコン	04
C462	US635100	C. CE. CHP	0.1uF 16V		チップセラコン	01
C464	US635100	C. CE. CHP	0.1uF 16V		チップセラコン	01
C467-468	US634100	C. CE. CHP	0.01uF 16V		チップセラコン	01
C470	WD758300	C. CE. CHP	10uF 10V		チップセラコン	01
C471	WG888300	C. CE. M. CHP	10uF 6.3V		チップ積層セラコン	01
C472-474	US635100	C. CE. CHP	0.1uF 16V		チップセラコン	01
C475	US634100	C. CE. CHP	0.01uF 16V		チップセラコン	01
C501-502	US635100	C. CE. CHP	0.1uF 16V		チップセラコン	01
C504	US663100	C. CE. CHP	1000pF 50V		チップセラコン	01
C505	US635100	C. CE. CHP	0.1uF 16V		チップセラコン	01
C506-507	US663100	C. CE. CHP	1000pF 50V		チップセラコン	01
C508	US046100	C. CE. CHP	1uF 25V		チップセラコン	01
C509-511	US663100	C. CE. CHP	1000pF 50V		チップセラコン	01
C512	US635100	C. CE. CHP	0.1uF 16V		チップセラコン	01
C513	WG251600	C. CE. CHP	4.7uF 6.3V		チップセラコン	01
C514	UF027330	C. EL. CHP	33uF 10V		チップケミコン	01
C515	US046100	C. CE. CHP	1uF 25V		チップセラコン	01
C516	WG251600	C. CE. CHP	4.7uF 6.3V		チップセラコン	01
C517-519	US635100	C. CE. CHP	0.1uF 16V		チップセラコン	01
C520	US663100	C. CE. CHP	1000pF 50V		チップセラコン	01
C521	UF417470	C. EL. CHP	47uF 6.3V		チップケミコン	
C522-523	US662100	C. CE. CHP	100pF 50V		チップセラコン	
C524	WG251600	C. CE. CHP	4.7uF 6.3V		チップセラコン	01
C525	US635100	C. CE. CHP	0.1uF 16V		チップセラコン	01
C526	US663100	C. CE. CHP	1000pF 50V		チップセラコン	01
C527-531	US635100	C. CE. CHP	0.1uF 16V		チップセラコン	01
C532-534	US046100	C. CE. CHP	1uF 25V		チップセラコン	01
C556	US635100	C. CE. CHP	0.1uF 16V		チップセラコン	01
C557	US663100	C. CE. CHP	1000pF 50V		チップセラコン	01
C559	UF037330	C. EL. CHP	33uF 16V		チップケミコン	01
C564	US635100	C. CE. CHP	0.1uF 16V		チップセラコン	01
C565-567	US634100	C. CE. CHP	0.01uF 16V		チップセラコン	01
C705-706	US662100	C. CE. CHP	100pF 50V		チップセラコン	
C708	WP882000	C. CE. CHP	10uF 6.3V		チップセラコン	
C709	US126100	C. CE. CHP	1uF 10V		チップセラコン	01
C710	US634100	C. CE. CHP	0.01uF 16V		チップセラコン	01

* New Parts * 新規部品

DIGITAL

Ref No.	Part No.	Description	Remarks	Markets	部 品 名	ランク	
C711	US061150	C. CE. CHP	15pF	50V B		チップセラコン	01
C712	US634100	C. CE. CHP	0.01uF	16V		チップセラコン	01
C713	US663100	C. CE. CHP	1000pF	50V		チップセラコン	01
C714	US126100	C. CE. CHP	1uF	10V		チップセラコン	01
C715	US061150	C. CE. CHP	15pF	50V B		チップセラコン	01
C716	US126100	C. CE. CHP	1uF	10V		チップセラコン	01
C717	US634100	C. CE. CHP	0.01uF	16V		チップセラコン	01
C718	UB214680	C. CE. CHP	0.068uF	25V		チップセラコン	01
C719	US126100	C. CE. CHP	1uF	10V		チップセラコン	01
C720	US634100	C. CE. CHP	0.01uF	16V		チップセラコン	01
C721	US063470	C. CE. CHP	4700pF	50V B		チップセラコン	01
C722	UF037100	C. EL. CHP	10uF	16V		チップケミコン	01
C723	US625100	C. CE. CHP	0.100uF	10V		チップセラコン	01
C724-725	US035100	C. CE. CHP	0.1uF	16V B		チップセラコン	01
C726	UF437100	C. EL. CHP	10uF	16V		チップケミコン	01
C727	US625100	C. CE. CHP	0.100uF	10V		チップセラコン	01
C728	WG891800	C. EL. CHP	10uF	16V		チップケミコン	
C729	WK004400	C. CE. M. CHP	10uF	16V		チップ積層セラコン	01
C730	US625100	C. CE. CHP	0.100uF	10V		チップセラコン	01
C732-739	US662100	C. CE. CHP	100pF	50V		チップセラコン	
C740	US663100	C. CE. CHP	1000pF	50V		チップセラコン	01
C741	US662100	C. CE. CHP	100pF	50V		チップセラコン	
C743	WG888300	C. CE. M. CHP	10uF	6.3V		チップ積層セラコン	01
C746	US625100	C. CE. CHP	0.100uF	10V		チップセラコン	01
C747-752	US635100	C. CE. CHP	0.1uF	16V		チップセラコン	01
C754	US662100	C. CE. CHP	100pF	50V		チップセラコン	
C755-756	US635100	C. CE. CHP	0.1uF	16V		チップセラコン	01
C757	WG888300	C. CE. M. CHP	10uF	6.3V		チップ積層セラコン	01
C758-759	US635100	C. CE. CHP	0.1uF	16V		チップセラコン	01
C760	WG888300	C. CE. M. CHP	10uF	6.3V		チップ積層セラコン	01
C761	US635100	C. CE. CHP	0.1uF	16V		チップセラコン	01
C762	US046100	C. CE. CHP	1uF	25V		チップセラコン	01
C763-768	US635100	C. CE. CHP	0.1uF	16V		チップセラコン	01
C769	US046100	C. CE. CHP	1uF	25V		チップセラコン	01
C770	US635100	C. CE. CHP	0.1uF	16V		チップセラコン	01
C771	US046100	C. CE. CHP	1uF	25V		チップセラコン	01
* C772	US662680	C. CE. CHP	680pF	50V		チップセラコン	
C773-774	US635100	C. CE. CHP	0.1uF	16V		チップセラコン	01
C775	US046100	C. CE. CHP	1uF	25V		チップセラコン	01
C776	US635100	C. CE. CHP	0.1uF	16V		チップセラコン	01
C777	US634100	C. CE. CHP	0.01uF	16V		チップセラコン	01
C778-786	US635100	C. CE. CHP	0.1uF	16V		チップセラコン	01
C787	US663100	C. CE. CHP	1000pF	50V		チップセラコン	01
C788	WP882000	C. CE. CHP	10uF	6.3V		チップセラコン	
C789	US663100	C. CE. CHP	1000pF	50V		チップセラコン	01
C790-791	WP882000	C. CE. CHP	10uF	6.3V		チップセラコン	
C792-794	US635100	C. CE. CHP	0.1uF	16V		チップセラコン	01
C795-797	US663100	C. CE. CHP	1000pF	50V		チップセラコン	01
C798-799	US635100	C. CE. CHP	0.1uF	16V		チップセラコン	01
C800-803	US663100	C. CE. CHP	1000pF	50V		チップセラコン	01
C804-808	US635100	C. CE. CHP	0.1uF	16V		チップセラコン	01
C810-811	US625100	C. CE. CHP	0.100uF	10V		チップセラコン	01
C854	US635100	C. CE. CHP	0.1uF	16V		チップセラコン	01
C856	US663100	C. CE. CHP	1000pF	50V		チップセラコン	01
* C861	US662220	C. CE. CHP	220pF	50V		チップセラコン	01
* C864	US662220	C. CE. CHP	220pF	50V		チップセラコン	01
* C867-868	US662220	C. CE. CHP	220pF	50V		チップセラコン	01

* New Parts * 新規部品

DIGITAL

Ref No.	Part No.	Description	Remarks	Markets	部 品 名	ランク
C870-871	US062560	C. CE. CHP	560pF 50V B		チップセラコン	01
* C874	US662220	C. CE. CHP	220pF 50V		チップセラコン	01
C876-877	WD758300	C. CE. CHP	10uF 10V		チップセラコン	01
C882-883	WD758300	C. CE. CHP	10uF 10V		チップセラコン	01
C885	WD758300	C. CE. CHP	10uF 10V		チップセラコン	01
C894	US046100	C. CE. CHP	1uF 25V		チップセラコン	01
C907	US046100	C. CE. CHP	1uF 25V		チップセラコン	01
D102-103	WE674800	VARISTOR. CHP	AVRL161A1R1NTB		チップバリスタ	01
D104	VV220700	DIODE. SCHOTTKY	RB501V-40		ショットキーダイオード	01
D401	WE674800	VARISTOR. CHP	AVRL161A1R1NTB		チップバリスタ	01
D402-409	WP385600	VARISTOR. CHP	PESD0603-240		チップバリスタ	
D410-412	WE674800	VARISTOR. CHP	AVRL161A1R1NTB		チップバリスタ	01
D501	VT332900	DIODE	1SS355		ダイオード	01
D502	VV220700	DIODE. SCHOTTKY	RB501V-40		ショットキーダイオード	01
IC1	X8915B00	IC. HDMI	S119185ACTU HDMI		HDMI IC	
IC3	X8560A00	IC. HDMI	S1L9134CTU HDMI		HDMI IC	
IC4	X0199B00	IC	TC74VHC157FT (EL, K)		ロジックIC	01
IC5	X7787A00	IC	TC74LCX245FT (EL, K)		ロジックIC	02
* IC6	YD173A00	IC	NJM2888F05 5.0V		電源IC	
IC7	X4063A00	IC	TC7WHU04FU		ロジックIC	
* IC25	YD298A00	IC	ADV7181CBSTZ		IC	
* IC26	YC287A00	IC	RP130Q181D-TR-F		電源IC	01
* IC27	YC825A00	IC	R1172S331D-E2-F		電源IC	
IC32	X9745B00	IC. MEMORY	M12L128168A-5TG2T		メモリIC	07
IC33	X9292A00	IC	R1172H121D-T1-F		電源IC	01
IC35	X8378A00	IC	TC7SH125FU (TE85L, F)		ロジックIC	01
IC42	X9292A00	IC	R1172H121D-T1-F		電源IC	01
* IC43	YC288A00	IC	RP130Q331D-TR-F		電源IC	01
* IC44-45	YD184B00	IC	BD9329AEFJ DC/DC		電源IC	
IC47	X8368A00	IC	PCA9517DP		ロジックIC	
* IC48	YC289A00	IC	RP130Q501D-TR		電源IC	01
IC51	X7942B00	IC	TC74VHC273FT (EL, K)		ロジックIC	01
IC53	X7942B00	IC	TC74VHC273FT (EL, K)		ロジックIC	01
* IC54	YC288A00	IC	RP130Q331D-TR-F		電源IC	01
IC55	YA739A00	IC. MEMORY	LE25LB2562M-TLM-E		メモリIC	04
* IC56	YC288A00	IC	RP130Q331D-TR-F		電源IC	01
* IC58	YD376C00	IC. MEMORY	EN29LV320BB-70TIP	written	メモリーIC	
IC60	XW633A00	IC	TC7SH32FU		ロジックIC	01
IC61	XZ493A00	IC	TC74VHC86FT (EL) EX		ロジックIC	02
IC62	X4453A00	IC	SN74LVC1G17DCKR		ロジックIC	01
IC64	XV891B00	IC	TC74VHC08FT (EL, K)		ロジックIC	01
IC71	X9870A00	IC	PCM1681PWPR		IC	07
* IC72	YC213A00	IC	PCM9210PTR		IC	
IC75	X9292A00	IC	R1172H121D-T1-F		電源IC	01
* IC76	YC288A00	IC	RP130Q331D-TR-F		電源IC	01
IC77	X0199B00	IC	TC74VHC157FT (EL, K)		ロジックIC	01
* IC78	YC289A00	IC	RP130Q501D-TR		電源IC	01
IC79	X9625B00	IC. MEMORY	M12L64164A-5TG		メモリIC	05
* IC80	YD375C00	IC. MEMORY	MX29LV160DBTI-70G	written	メモリーIC	
IC81	XV891B00	IC	TC74VHC08FT (EL, K)		ロジックIC	01
IC82	XR680A00	IC	TC7SH08FU (TE85L, JF)		ロジックIC	01
IC86	YA255A00	IC	R1172H501D-T1-F		電源IC	03
* IC88	YC291A00	IC	R1172N501D-TR-F		電源IC	02
PN51	WS488500	STYLE. PIN	L=90 #18		スタイルピン	01
PN55-56	WS488500	STYLE. PIN	L=90 #18		スタイルピン	01
Q101-110	VQ986700	TR	2SC4081 T106		トランジスタ	01
Q251	WQ381000	FET	MCH6336-TL-E		MOS FET	01

* New Parts * 新規部品

DIGITAL and OPERATION

Ref No.	Part No.	Description	Remarks	Markets	部 品 名	ランク
Q252	VR936300	TR	2SA1576A T106		トランジスタ	01
Q253	WE834500	FET	UPA672T-T1-A		F E T	01
Q401-402	VQ986700	TR	2SC4081 T106		トランジスタ	01
* Q403	WW782100	TR. DGT	DTC014EUBTL		デジタルトランジスタ	
* Q404	WW782000	TR. DGT	DTA044EUBTL		デジタルトランジスタ	
Q501	VR936300	TR	2SA1576A T106		トランジスタ	01
Q502	VQ986700	TR	2SC4081 T106		トランジスタ	01
Q503	VR936300	TR	2SA1576A T106		トランジスタ	01
Q504	VQ986700	TR	2SC4081 T106		トランジスタ	01
Q505	VR936300	TR	2SA1576A T106		トランジスタ	01
Q506	VQ986700	TR	2SC4081 T106		トランジスタ	01
Q507	VR936300	TR	2SA1576A T106		トランジスタ	01
Q508	VQ986700	TR	2SC4081 T106		トランジスタ	01
Q509-510	VR936300	TR	2SA1576A T106		トランジスタ	01
* Q511	WW782300	TR. DGT	DTC044EUBTL		デジタルトランジスタ	
Q512-514	VR936300	TR	2SA1576A T106		トランジスタ	01
Q515	WC529400	TR	KTC3875S Y GR RTK		トランジスタ	01
* Q701	WQ381000	FET	MCH6336-TL-E		MOS FET	01
* Q702	WW782000	TR. DGT	DTA044EUBTL		デジタルトランジスタ	
* Q855	WW782100	TR. DGT	DTC014EUBTL		デジタルトランジスタ	
* Q856	WW782000	TR. DGT	DTA044EUBTL		デジタルトランジスタ	
R476	WB784700	R. MTL. FLM	6.8Ω 1W		金属被膜抵抗	01
R504	RD356220	R. CHP	2.2KΩ 1/16W	V571	チップ抵抗	01
R504	RD356390	R. CHP	3.9KΩ 1/16W	5064	チップ抵抗	01
XL25	VZ772700	RSNR. CRY	28.63636MHz		水晶振動子	03
XL31	WK841200	RESONATOR	27MHz DS0321SRAB		水晶発振器	05
XL41	WB872100	RSNR. CRY	16.9344MHz		水晶振動子	03
XL51	WA782500	RSNR. CE	8.000MHz		セラミック振動子	01
XL71	V3625700	RSNR. CRY	24.576MHz		水晶振動子	03
*	WW919500	P. C. B.	OPERATION		PCB OPERATION	
*	WW919600	P. C. B.	OPERATION		PCB OPERATION	
*	WW919800	P. C. B.	OPERATION		PCB OPERATION	
*	WW919900	P. C. B.	OPERATION		PCB OPERATION	
CB402	VF982300	CN. BS. PIN	17P		F F Cコネクター	01
CB405	VQ047200	CN. BS. PIN	9P		F F Cコネクター	01
CB442	VB858300	CN. BS. PIN	4P		コネクタベースポスト	01
CB451	WQ680200	CN. USB	4P TE AAPVA004C0		USBコネクター	02
CB461	WD398400	CN. DIN	14P YKF45-3011	J	D I Nコネクター	05
CB461	WD398400	CN. DIN	14P YKF45-3011		D I Nコネクター	05
CB462	WD398400	CN. DIN	14P YKF45-3011	J	D I Nコネクター	05
CB462-463	WD398400	CN. DIN	14P YKF45-3011		D I Nコネクター	05
CB463	WD398400	CN. DIN	14P YKF45-3011	J	D I Nコネクター	05
CB464	VQ045000	CN. BS. PIN	20P		F F Cコネクター	01
CB464	VQ045000	CN. BS. PIN	20P	J	F F Cコネクター	01
CB481	VQ044100	CN. BS. PIN	5P	BGF	F F Cコネクター	01
CB492-493	WN077700	CLIP. FUSE	CLIP PFC5000-0202F	R	ヒューズクリップ	
C4001	US065100	C. CE. CHP	0.1uF 50V B		チップセラコン	01
C4002	US163100	C. CE. CHP	1000pF 50V		チップセラコン	01
C4003-4004	US135100	C. CE. CHP	0.1uF 16V		チップセラコン	01
C4005	UM388100	C. EL	100uF 10V		ケミコン	01
C4007	UR268220	C. EL	220uF 50V		ケミコン	01
C4008	UM388330	C. EL	330uF 6.3V		ケミコン	01
C4009	US135100	C. CE. CHP	0.1uF 16V		チップセラコン	01
C4010	US061680	C. CE. CHP	68pF 50V B		チップセラコン	01

* New Parts *新規部品

OPERATION

Ref No.	Part No.	Description	Remarks	Markets	部 品 名	ランク
C4011	US065100	C. CE. CHP	0. 1uF 50V B		チップセラコン	01
C4012	US064100	C. CE. CHP	0. 01uF 50V B		チップセラコン	01
C4013	US065100	C. CE. CHP	0. 1uF 50V B		チップセラコン	01
C4015	UM417100	C. EL	10uF 50V		ケミコン	01
C4016	US064100	C. CE. CHP	0. 01uF 50V B		チップセラコン	01
C4017	US065100	C. CE. CHP	0. 1uF 50V B		チップセラコン	01
C4018	US135100	C. CE. CHP	0. 1uF 16V		チップセラコン	01
C4019	US062220	C. CE. CHP	220pF 50V B		チップセラコン	01
C4020-4021	US135100	C. CE. CHP	0. 1uF 16V		チップセラコン	01
C4022	US062100	C. CE. CHP	100pF 50V B		チップセラコン	01
C4024	US062100	C. CE. CHP	100pF 50V B		チップセラコン	01
C4025-4027	US135100	C. CE. CHP	0. 1uF 16V		チップセラコン	01
C4028-4029	US063680	C. CE. CHP	6800pF 50V B		チップセラコン	01
C4030	US135100	C. CE. CHP	0. 1uF 16V		チップセラコン	01
C4101	US063100	C. CE. CHP	1000pF 50V B		チップセラコン	01
C4102	UM397100	C. EL	10uF 16V		ケミコン	01
C4103	US064100	C. CE. CHP	0. 01uF 50V B		チップセラコン	01
C4104	WV360900	C. EL	22uF 16V		ケミコン	
C4105	US062100	C. CE. CHP	100pF 50V B		チップセラコン	01
C4106	UM397470	C. EL	47uF 16V		ケミコン	01
C4107	US061330	C. CE. CHP	33pF 50V B		チップセラコン	01
C4110-4111	WV360900	C. EL	22uF 16V		ケミコン	
C4112	UM397100	C. EL	10uF 16V		ケミコン	01
C4201-4202	US063100	C. CE. CHP	1000pF 50V B		チップセラコン	01
* C4251-4252	WV365200	C. MYLAR	3300pF 50V		マイラーコン	
C4253	US064100	C. CE. CHP	0. 01uF 50V B		チップセラコン	01
C4254	US063100	C. CE. CHP	1000pF 50V B		チップセラコン	01
C4301	US062100	C. CE. CHP	100pF 50V B		チップセラコン	01
C4302	US063100	C. CE. CHP	1000pF 50V B		チップセラコン	01
C4304	WD758300	C. CE. CHP	10uF 10V		チップセラコン	01
C4306	US126100	C. CE. CHP	1uF 10V		チップセラコン	01
C4307	UM398100	C. EL	100uF 16V		ケミコン	01
C4308-4311	WD758300	C. CE. CHP	10uF 10V		チップセラコン	01
C4351	US064100	C. CE. CHP	0. 01uF 50V B		チップセラコン	01
C4351	US064100	C. CE. CHP	0. 01uF 50V B	J	チップセラコン	01
C4352	US064100	C. CE. CHP	0. 01uF 50V B		チップセラコン	01
C4352-4353	US064100	C. CE. CHP	0. 01uF 50V B	J	チップセラコン	01
C4353-4354	US064100	C. CE. CHP	0. 01uF 50V B		チップセラコン	01
C4354	US064100	C. CE. CHP	0. 01uF 50V B	J	チップセラコン	01
C4355	US064100	C. CE. CHP	0. 01uF 50V B		チップセラコン	01
C4355	US064100	C. CE. CHP	0. 01uF 50V B	J	チップセラコン	01
C4356	US064100	C. CE. CHP	0. 01uF 50V B		チップセラコン	01
C4356	US064100	C. CE. CHP	0. 01uF 50V B	J	チップセラコン	01
C4357	US064100	C. CE. CHP	0. 01uF 50V B		チップセラコン	01
C4357	US064100	C. CE. CHP	0. 01uF 50V B	J	チップセラコン	01
C4358	US064100	C. CE. CHP	0. 01uF 50V B		チップセラコン	01
C4358	US064100	C. CE. CHP	0. 01uF 50V B	J	チップセラコン	01
C4359	US064100	C. CE. CHP	0. 01uF 50V B		チップセラコン	01
C4359	US064100	C. CE. CHP	0. 01uF 50V B	J	チップセラコン	01
C4360	US060800	C. CE. CHP	8pF 50V B		チップセラコン	01
C4360-4361	US060800	C. CE. CHP	8pF 50V B	J	チップセラコン	01
C4361	US060800	C. CE. CHP	8pF 50V B		チップセラコン	01
C4362	US060800	C. CE. CHP	8pF 50V B	J	チップセラコン	01
C4362	US060800	C. CE. CHP	8pF 50V B		チップセラコン	01
C4363	UR237100	C. EL	10uF 16V	J	ケミコン	
C4363-4364	UR237100	C. EL	10uF 16V		ケミコン	
C4364	UR237100	C. EL	10uF 16V	J	ケミコン	

* New Parts * 新規部品

OPERATION

Ref No.	Part No.	Description	Remarks	Markets	部 品 名	ランク	
C4365	US135100	C. CE. CHP	0. 1uF 16V		J	チップセラコン	01
C4365	US135100	C. CE. CHP	0. 1uF 16V			チップセラコン	01
C4366	US135100	C. CE. CHP	0. 1uF 16V		J	チップセラコン	01
C4366	US135100	C. CE. CHP	0. 1uF 16V			チップセラコン	01
C4451	US064100	C. CE. CHP	0. 01uF 50V B		BGF	チップセラコン	01
C4452	UR837470	C. EL	47uF 16V		BGF	ケミコン	01
C4453	US062120	C. CE. CHP	120pF 50V B		BGF	チップセラコン	01
C4454	US062220	C. CE. CHP	220pF 50V B		BGF	チップセラコン	01
C4455	UR837100	C. EL	10uF 16V		BGF	ケミコン	01
C4456	US135100	C. CE. CHP	0. 1uF 16V		BGF	チップセラコン	01
D4003-4004	VT332900	DIODE	1SS355			ダイオード	01
D4005-4006	WS693300	DIODE. ZENR	HZU4. 3B3 TRF-E			ツェナーダイオード	01
D4007-4010	VT332900	DIODE	1SS355			ダイオード	01
D4101-4102	VT332900	DIODE	1SS355			ダイオード	01
D4103	VU171900	DIODE. ZENR	UDZS5. 1B 5. 1V			ツェナーダイオード	01
D4104	WR095700	LED	8224-10SDRD/S530A3			LED	01
D4251-4252	VT332900	DIODE	1SS355			ダイオード	01
D4301-4303	VT332900	DIODE	1SS355			ダイオード	01
D4355	VT332900	DIODE	1SS355			ダイオード	01
D4355	VT332900	DIODE	1SS355		J	ダイオード	01
D4356	VT332900	DIODE	1SS355			ダイオード	01
D4356	VT332900	DIODE	1SS355		J	ダイオード	01
D4356	VT332900	DIODE	1SS355		BGF	ダイオード	01
D4451-4452	VT332900	DIODE	1SS355			ダイオード	01
△ F4501	VV071700	FUSE	3. 15A 250V		R	ヒューズ	01
IC401	X6386A00	IC	M66003-0131FP			IC	07
IC402	XR336A00	IC	TC7W14F TE12L			ロジックIC	02
IC403	XR680A00	IC	TC7SH08FU (TE85L, JF			ロジックIC	01
IC421	X7378A00	IC	NJM4565M (TE1)			アンプIC	01
IC451	YA255A00	IC	R1172H501D-T1-F			電源IC	03
IC461	XY879A00	IC	TC74HC4053AF (EL)			ロジックIC	03
IC461	XY879A00	IC	TC74HC4053AF (EL)		J	ロジックIC	03
IC481	XZ509A00	IC	TC74VHCU04FT INVER		BGF	ロジックIC	01
JK421	WJ117300	JACK. MNI	MSJ-2200C AG			ミニジャック	
JK441	V9408200	JACK. PHONE	MSJ-064-05B GR			ヘッドホンジャック	
JK481	V6931000	CN. DIN	1P YKF51-5506		BGF	1連S端子	02
PJ401	WJ117500	JACK. PIN	3P			ピンジャック	03
PN451	WS488500	STYLE. PIN	L=90 #18			スタイルピン	01
Q4001-4008	WC529400	TR	KTC3875S Y GR RTK			トランジスタ	01
Q4009-4011	VV655400	TR. DGT	DTC114EKA			デジタルトランジスタ	01
Q4101	WC529400	TR	KTC3875S Y GR RTK			トランジスタ	01
Q4351	VV556400	TR	2SC2412K Q, R, S			トランジスタ	01
Q4351	VV556400	TR	2SC2412K Q, R, S		J	トランジスタ	01
* R4042-4043	WW969500	R. MTL. OXD	120Ω 1/4W			酸化金属被膜抵抗	
R4253-4254	V8071300	R. MTL. FLM	470Ω 1W			金属被膜抵抗	01
SW401-418	WD483100	SW. TACT	SKRGAAD010			タクトスイッチ	01
SW421	WD483100	SW. TACT	SKRGAAD010			タクトスイッチ	01
SW431	WD483100	SW. TACT	SKRGAAD010			タクトスイッチ	01
SW432	V9597100	SW. RT. ENC	EC12E2460802			ロータリーエンコーダ	04
△ SW491	WV382900	SW. SLIDE	SL14		R	スライドスイッチ	
U4001	WQ600700	L. DTCT	SM3385VMH6			リモコン受光ユニット	03
* V4001	WW890900	FL. DSPLY	18-MT-11GNK			蛍光表示管	
	V6007100	FL. SPACER	10x32x4. 6			FLスペーサー	

* New Parts *新規部品

MAIN

Ref No.	Part No.	Description	Remarks	Markets	部 品 名	ランク	
*	WW917400	P. C. B.	MAIN		JRTKABGFL	PCB MAIN	
*	WW917500	P. C. B.	MAIN		UC	PCB MAIN	
	CB152	VQ962900 CN. BS. PIN	8P			コネクタ	01
	CB153	VQ963900 CN. BS. PIN	18P			コネクタ	03
	CB154	VQ963600 CN. BS. PIN	15P			コネクタ	01
	C1000-1006	UR267100 C. EL	10uF 50V			ケミコン	
	C1007	WJ610200 C. MYLAR	0.01uF 100V			マイラーコン	01
	C1008	WJ608500 C. MYLAR	470pF 100V			マイラーコン	01
	C1009	UR277220 C. EL	22uF 63V			ケミコン	01
	C1010	WJ608500 C. MYLAR	470pF 100V			マイラーコン	01
△	C1011	UR297100 C. EL	10uF 100V			ケミコン	
	C1012-1013	WJ608500 C. MYLAR	470pF 100V			マイラーコン	01
△	C1014-1015	UR297100 C. EL	10uF 100V			ケミコン	
	C1016	UR277220 C. EL	22uF 63V			ケミコン	01
	C1017-1019	UR297100 C. EL	10uF 100V			ケミコン	
	C1020-1022	WJ608500 C. MYLAR	470pF 100V			マイラーコン	01
	C1024	UR267330 C. EL	33uF 50V			ケミコン	01
	C1026	UR267330 C. EL	33uF 50V			ケミコン	01
	C1028-1029	UR267330 C. EL	33uF 50V			ケミコン	01
	C1031	UR267330 C. EL	33uF 50V			ケミコン	01
	C1033	UR267330 C. EL	33uF 50V			ケミコン	01
	C1035	UR297100 C. EL	10uF 100V			ケミコン	
	C1036	FG650500 C. CE	5pF 50V			セラコン	01
	C1038	UR267330 C. EL	33uF 50V			ケミコン	01
	C1039	UR266100 C. EL	1uF 50V			ケミコン	01
	C1040-1045	FG650500 C. CE	5pF 50V			セラコン	01
	C1046-1052	WP421000 C. PP	0.047uF 100V			PPコン	
	C1053	UR866470 C. EL	4.7uF 50V			ケミコン	01
	C1054	UR828220 C. EL	220uF 10V			ケミコン	01
△	C1055-1056	WG399600 C. EL	6800uF 63V			ケミコン	
	C1057-1058	UR267100 C. EL	10uF 50V			ケミコン	
	C1059-1060	UR266100 C. EL	1uF 50V			ケミコン	01
	C1061	UR858100 C. EL	100uF 35V			ケミコン	01
	C1062	UR248470 C. EL	470uF 25V			ケミコン	01
	C1063-1064	WJ611400 C. MYLAR	0.1uF 100V J			マイラーコン	01
	C1065	UR249330 C. EL	3300uF 25V			ケミコン	
	C1066	UR249100 C. EL	1000uF 25V			ケミコン	01
	C1067-1068	WN165500 C. PP	0.022uF 100V			PPコン	01
	C1069	US035100 C. CE. CHP	0.1uF 16V B			チップセラコン	01
	C1509	UR267470 C. EL	47uF 50V			ケミコン	01
	C1510-1512	US035100 C. CE. CHP	0.1uF 16V B			チップセラコン	01
	C1513-1514	US061220 C. CE. CHP	22pF 50V B			チップセラコン	01
	C1515-1516	US035100 C. CE. CHP	0.1uF 16V B			チップセラコン	01
	C1517-1520	US062220 C. CE. CHP	220pF 50V B			チップセラコン	01
	C1521	UR837100 C. EL	10uF 16V			ケミコン	01
	C1522	US061470 C. CE. CHP	47pF 50V B			チップセラコン	01
	C1523	UR838100 C. EL	100uF 16V			ケミコン	01
	C1524	US061470 C. CE. CHP	47pF 50V B			チップセラコン	01
	C1525	UR837100 C. EL	10uF 16V			ケミコン	01
	C1526-1527	UR838100 C. EL	100uF 16V			ケミコン	01
	C1528-1529	US062220 C. CE. CHP	220pF 50V B			チップセラコン	01
	C1530	UR838100 C. EL	100uF 16V			ケミコン	01
	C1531	UR837330 C. EL	33uF 16V			ケミコン	01
	C1532-1533	UR238100 C. EL	100uF 16V			ケミコン	
	C1536	UR238100 C. EL	100uF 16V			ケミコン	
	C1542	US035100 C. CE. CHP	0.1uF 16V B			チップセラコン	01
	C1545	US035100 C. CE. CHP	0.1uF 16V B			チップセラコン	01

* New Parts * 新規部品

MAIN

Ref No.	Part No.	Description	Remarks	Markets	部 品 名	ランク
C1553-1554	UR267100	C. EL	10uF 50V		ケミコン	
C1556	UR267100	C. EL	10uF 50V		ケミコン	
C1558-1559	UR267470	C. EL	47uF 50V		ケミコン	01
C1568	VR169200	C. MYLAR	0. 47uF 50V		マイラーコン	01
C1572	US062100	C. CE. CHP	100pF 50V B		チップセラコン	01
C1576	UR267100	C. EL	10uF 50V		ケミコン	
C1583-1584	UR867470	C. EL	47uF 50V		ケミコン	02
C1589-1590	UR267100	C. EL	10uF 50V		ケミコン	
C1600-1601	UR267100	C. EL	10uF 50V		ケミコン	
C1608	US064100	C. CE. CHP	0. 01uF 50V B		チップセラコン	01
C1609	UR249220	C. EL	2200uF 25V		ケミコン	02
C1610	US035100	C. CE. CHP	0. 1uF 16V B	UC	チップセラコン	01
D1000-1001	VD631600	DIODE	1SS133, 176		ダイオード	01
D1002	VU171900	DIODE. ZENR	UDZS5. 1B 5. 1V		ツェナーダイオード	01
D1003-1016	VN008700	DIODE	1SS270A		ダイオード	01
△ D1017	WA653200	DIODE. BRG	TS6P03G 6A 200V		ブリッジダイオード	04
△ D1018	WH487300	DIODE. BRG	RS203M 2A 200V		ブリッジダイオード	02
D1019	VD631600	DIODE	1SS133, 176		ダイオード	01
D1503-1504	VG438400	DIODE. ZENR	MTZJ6. 8C 6. 8V		ツェナーダイオード	01
△ * IC100	YD224A00	IC	STK433-330K-E		パワー I C	
△ * IC101-102	YD155A00	IC	STK433-130K-E		アンプ I C	
IC103	XJ608A00	IC	NJM7812FA		I C	02
IC104	X4154A00	IC	KIA7912PI		電源 I C	03
IC152	XZ509A00	IC	TC74VHCU04FT INVER		ロジック I C	01
* IC153	YA361B00	IC	R2A15220FP		I C	07
IC154	X7378A00	IC	NJM4565M(Te1)		アンプ I C	01
IC155	YA381A00	IC	LM19C1Z/LF THERMAL		電源 I C	04
IC156	YA381A00	IC	LM19C1Z/LF THERMAL	UC	電源 I C	04
PJ150	V9420700	JACK. PIN	2P MSP-252V1-30NI		ピンジャック	
PJ151-152	V7046700	JACK. PIN	4P MSP-244V1-01NI		ピンジャック	03
PJ159	V7189700	JACK. PIN	1P		ピンジャック	01
△ Q1000	WC398400	TR	2N5551C-AT		トランジスタ	01
△ Q1001-1002	VC614000	TR	2SB1274 Q, R, S		トランジスタ	02
△ Q1003	WC398400	TR	2N5551C-AT		トランジスタ	01
△ Q1004-1005	WC397700	TR	2N5401C-AT		トランジスタ	01
△ Q1006-1012	WC398400	TR	2N5551C-AT		トランジスタ	01
△ Q1013	WC397700	TR	2N5401C-AT		トランジスタ	01
Q1014	iC181510	TR	2SC1815 Y		トランジスタ	01
Q1015	WC435000	TR. DGT	KRC102S-RTK		デジタルトランジスタ	01
Q1016	WC434900	TR. DGT	KRA104S-RTK		デジタルトランジスタ	01
Q1501-1502	WC883400	TR	2SD2704 K		トランジスタ	
Q1504	WC883400	TR	2SD2704 K		トランジスタ	
Q1507	WC883400	TR	2SD2704 K		トランジスタ	
Q1509	WC883400	TR	2SD2704 K		トランジスタ	
Q1520-1521	WC883400	TR	2SD2704 K		トランジスタ	
Q1524-1525	WC883400	TR	2SD2704 K		トランジスタ	
△ * R1012-1014	WW965300	R. MTL. OXD	2. 2Ω 1/4W		酸化金属被膜抵抗	
△ * R1017	WW971100	R. MTL. OXD	560Ω 1/4w		酸化金属被膜抵抗	
△ * R1029	WW966900	R. MTL. OXD	10Ω 1/4W		酸化金属被膜抵抗	
△ * R1032	WW966900	R. MTL. OXD	10Ω 1/4W		酸化金属被膜抵抗	
△ R1046	WP839400	R. CEMENT	0. 22+0. 22 3W		セメント抵抗	01
△ R1048-1049	WP839400	R. CEMENT	0. 22+0. 22 3W		セメント抵抗	01
△ R1056	WP839400	R. CEMENT	0. 22+0. 22 3W		セメント抵抗	01
△ R1060	WP839400	R. CEMENT	0. 22+0. 22 3W		セメント抵抗	01
△ R1067-1068	WP839400	R. CEMENT	0. 22+0. 22 3W		セメント抵抗	01
* R1086	WW966900	R. MTL. OXD	10Ω 1/4W		酸化金属被膜抵抗	
* R1089-1090	WW966900	R. MTL. OXD	10Ω 1/4W		酸化金属被膜抵抗	

* New Parts * 新規部品

MAIN and VIDEO

Ref No.	Part No.	Description	Remarks	Markets	部 品 名	ランク
* R1092	WW966900	R. MTL. OXD	10Ω 1/4W		酸化金属被膜抵抗	
* R1095	WW966900	R. MTL. OXD	10Ω 1/4W		酸化金属被膜抵抗	
* R1098	WW966900	R. MTL. OXD	10Ω 1/4W		酸化金属被膜抵抗	
* R1101	WW966900	R. MTL. OXD	10Ω 1/4W		酸化金属被膜抵抗	
△ R1103	V8070200	R. MTL. FLM	4.7Ω 1W		金属被膜抵抗	
△ R1107-1108	V8070200	R. MTL. FLM	4.7Ω 1W		金属被膜抵抗	
△ R1110-1111	V8070200	R. MTL. FLM	4.7Ω 1W		金属被膜抵抗	
△ R1113-1114	V8070200	R. MTL. FLM	4.7Ω 1W		金属被膜抵抗	
* R1504	WW964500	R. MTL. OXD	1Ω 1/4W		酸化金属被膜抵抗	
* R1663	WW970100	R. MTL. OXD	220Ω 1/4W		酸化金属被膜抵抗	
* R1664-1665	WW965300	R. MTL. OXD	2.2Ω 1/4W		酸化金属被膜抵抗	
R1666-1667	WA621400	R. MTL. OXD	82Ω 1W J		酸化金属被膜抵抗	01
RY100	WE648700	RELAY	DC24V DH24D2-0-Q		リレー	06
U1500-1501	WU204200	CN. PHOTO. R	1P JSR1165-D		光ファイバー受信器	
	WE774200	SCR. BND. HD	3x10 MFZN2W3		パインドBタイトネジ	01
*	WW917600	P. C. B.	VIDEO	J	PCB VIDEO	
*	WW917700	P. C. B.	VIDEO	U	PCB VIDEO	
*	WW917800	P. C. B.	VIDEO	C	PCB VIDEO	
*	WW917900	P. C. B.	VIDEO	R	PCB VIDEO	
*	WW918000	P. C. B.	VIDEO	T	PCB VIDEO	
*	WW918100	P. C. B.	VIDEO	K	PCB VIDEO	
*	WW918200	P. C. B.	VIDEO	A	PCB VIDEO	
*	WW918300	P. C. B.	VIDEO	BGF	PCB VIDEO	
*	WW918400	P. C. B.	VIDEO	L	PCB VIDEO	
CB301	VQ047500	CN. BS. PIN	20P	J	コネクタ	01
CB302	VQ961600	HOUSING	13P		ハウジング	01
CB303	VM973500	CN. BS. PIN	17P		コネクタ	01
CB341	VQ585500	CN. JUMPER	5P		ジャンパーコネクタ	02
CB342	VZ130900	CN. JUMPER	4P		ジャンパーコネクタ	01
CB343	VQ585700	CN. JUMPER	7P		ジャンパーコネクタ	03
CB344	VK024900	CN. BS. PIN	52147 5P TE		ワイヤートラップ	01
CB348	VK026200	CN. BS. PIN	3P		ワイヤートラップ	01
CB371	VG879900	CN. BS. PIN	2P		コネクタ	01
CB372-373	WN103000	CLIP. FUSE	TP00351-31		ヒューズクリップ	01
CB374	VG879900	CN. BS. PIN	2P	R	コネクタ	01
CB381	VQ963400	CN. BS. PIN	13P		コネクタ	01
CB383	VQ961100	CN. BS. PIN	8P		コネクタ	01
CB384-385	VQ963400	CN. BS. PIN	13P		コネクタ	01
CB386	VQ962100	CN. BS. PIN	18P		コネクタ	03
CB387	VQ963700	CN. BS. PIN	16P		コネクタ	02
CB388	VQ961800	CN. BS. PIN	15P		コネクタ	01
CB390	VQ044400	CN. BS. PIN	9P		コネクタ	01
C3001	US062100	C. CE. CHP	100pF 50V B		チップセラコン	01
C3002-3004	US060800	C. CE. CHP	8pF 50V B		チップセラコン	01
C3005	US062100	C. CE. CHP	100pF 50V B		チップセラコン	01
C3006	UR237470	C. EL	47uF 16V		ケミコン	01
C3007-3008	US135100	C. CE. CHP	0.1uF 16V		チップセラコン	01
C3009-3011	WD758300	C. CE. CHP	10uF 10V		チップセラコン	01
C3012	UR237470	C. EL	47uF 16V		ケミコン	01
C3013-3015	WD758300	C. CE. CHP	10uF 10V		チップセラコン	01
C3016-3018	US060300	C. CE. CHP	3pF 50V B		チップセラコン	01
C3019-3021	WD758300	C. CE. CHP	10uF 10V		チップセラコン	01
C3022	UR237100	C. EL	10uF 16V		ケミコン	
C3023	US135100	C. CE. CHP	0.1uF 16V		チップセラコン	01

* New Parts * 新規部品

VIDEO

Ref No.	Part No.	Description	Remarks	Markets	部 品 名	ランク	
C3025	US135100	C. CE. CHP	0. 1uF	16V		チップセラコン	01
C3026	UR837470	C. EL	47uF	16V		ケミコン	01
C3027	UR237100	C. EL	10uF	16V		ケミコン	
C3028	UR837470	C. EL	47uF	16V		ケミコン	01
C3029-3030	US135100	C. CE. CHP	0. 1uF	16V		チップセラコン	01
C3031	UR837470	C. EL	47uF	16V		ケミコン	01
C3033	US135100	C. CE. CHP	0. 1uF	16V		チップセラコン	01
C3034	UR238220	C. EL	220uF	16V		ケミコン	01
C3035	US135100	C. CE. CHP	0. 1uF	16V		チップセラコン	01
C3036	UR238220	C. EL	220uF	16V		ケミコン	01
C3037-3038	US135100	C. CE. CHP	0. 1uF	16V		チップセラコン	01
C3039	UR237470	C. EL	47uF	16V		ケミコン	01
C3040-3042	US135100	C. CE. CHP	0. 1uF	16V		チップセラコン	01
C3043	UR238220	C. EL	220uF	16V		ケミコン	01
C3044	US135100	C. CE. CHP	0. 1uF	16V		チップセラコン	01
C3401	UR278100	C. EL	100uF	63V		ケミコン	01
C3402	UR866100	C. EL	1uF	50V		ケミコン	01
C3403	UR267100	C. EL	10uF	50V		ケミコン	
C3404	UR268100	C. EL	100uF	50V		ケミコン	
C3405	UR866100	C. EL	1uF	50V		ケミコン	01
C3406	WJ610200	C. MYLAR	0. 01uF	100V		マイラーコン	01
C3407-3408	WJ611400	C. MYLAR	0. 1uF	100V J		マイラーコン	01
C3409-3414	WJ610200	C. MYLAR	0. 01uF	100V		マイラーコン	01
C3415-3417	WJ609700	C. MYLAR	4700pF	100V		マイラーコン	01
* C3418-3422	WJ610400	C. MYLAR	0. 015uF	100V		マイラーコン	
C3423	WJ609700	C. MYLAR	4700pF	100V		マイラーコン	01
C3424-3425	WG601700	C. EL	4700uF	16V		ケミコン	02
C3426-3427	UR266100	C. EL	1uF	50V		ケミコン	01
C3428-3429	UR237330	C. EL	33uF	16V		ケミコン	
△ C3701	WJ361200	C. POL. MTL	0. 047uF	400V	JUC	メタライズドポリコン	
△ C3701	WJ361800	C. POL. MTL	0. 022uF	630V	RTKABGFL	メタライズドポリコン	
△ C3702-3703	WQ902300	C. CE. SAFTY	1000pF	250V		規格認定コンデンサ	01
△ C3704	V5877700	C. MYLAR	0. 22uF	250V		マイラーコン	03
△ * C3705	WJ610400	C. MYLAR	0. 015uF	100V		マイラーコン	
△ * C3706	WW751600	C. EL	120uF	220V	JUC	ケミコン	
△ * C3706	WW751700	C. EL	100uF	400V	R	ケミコン	
△ C3706	WQ852500	C. EL	68uF	400V	TKABGFL	ケミコン	
△ C3707	WQ939400	C. CE. SAFTY	0. 01uF	250V		規格認定コンデンサ	01
△ C3708	UR867220	C. EL	22uF	50V		ケミコン	01
△ C3709-3710	WJ322300	C. CE. M. CHP	1000pF	630V		チップ積層セラコン	01
△ C3711	WQ902200	C. CE. SAFTY	2200pF	250V		規格認定コンデンサ	01
△ C3712	WJ361200	C. POL. MTL	0. 047uF	400V	JUC	メタライズドポリコン	
△ C3712	WJ361800	C. POL. MTL	0. 022uF	630V	RTKABGFL	メタライズドポリコン	
C3713	WJ322300	C. CE. M. CHP	1000pF	630V		チップ積層セラコン	01
* C3714-3715	WH772400	C. EL	2200uF	10V		ケミコン	
C3716	US034470	C. CE. CHP	0. 047uF	16V B		チップセラコン	01
* C3718	WH771600	C. EL	220uF	10V		ケミコン	
C3719	US064100	C. CE. CHP	0. 01uF	50V B		チップセラコン	01
C3720	US046100	C. CE. CHP	1uF	25V		チップセラコン	01
C3721	WJ335500	C. EL	2. 2uF	50V		ケミコン	01
C3723	US064100	C. CE. CHP	0. 01uF	50V B		チップセラコン	01
C3725	WJ608900	C. MYLAR	1000pF	100V		マイラーコン	01
C3801-3802	UR867100	C. EL	10uF	50V		ケミコン	01
C3803-3804	WJ608800	C. MYLAR	820pF	100V		マイラーコン	
C3806	UU238100	C. EL	100uF	16V		ケミコン	01
C3807	UU237100	C. EL	10uF	16V		ケミコン FW	01
C3808	US062100	C. CE. CHP	100pF	50V B		チップセラコン	01

* New Parts * 新規部品

VIDEO

Ref No.	Part No.	Description	Remarks	Markets	部 品 名	ランク
	C3809-3810	UR257100 C. EL	10uF 35V		ケミコン	01
*	C3811	WJ608700 C. MYLAR	680pF 100V		マイラーコン	
	C3813	UU257470 C. EL	47uF 35V		ケミコン FW	01
	C3815	UU257470 C. EL	47uF 35V		ケミコン FW	01
*	C3816	WJ608700 C. MYLAR	680pF 100V		マイラーコン	
	C3817-3818	UR257100 C. EL	10uF 35V		ケミコン	01
	C3819-3820	US062100 C. CE. CHP	100pF 50V B		チップセラコン	01
	C3821-3822	UR257100 C. EL	10uF 35V		ケミコン	01
*	C3823	WJ608700 C. MYLAR	680pF 100V		マイラーコン	
	C3826	WJ611000 C. MYLAR	0.047uF 100V		マイラーコン	
	C3827-3828	UR257100 C. EL	10uF 35V		ケミコン	01
	C3829	WJ609900 C. MYLAR	6800pF 100V		マイラーコン	01
	C3830	US062100 C. CE. CHP	100pF 50V B		チップセラコン	01
	C3831-3832	UR257100 C. EL	10uF 35V		ケミコン	01
*	C3833	WJ608700 C. MYLAR	680pF 100V		マイラーコン	
*	C3836	WJ608700 C. MYLAR	680pF 100V		マイラーコン	
	C3837-3838	UR257100 C. EL	10uF 35V		ケミコン	01
	C3839-3840	US062100 C. CE. CHP	100pF 50V B		チップセラコン	01
	C3841-3842	UR257100 C. EL	10uF 35V		ケミコン	01
*	C3843	WJ608700 C. MYLAR	680pF 100V		マイラーコン	
	C3844	UR237470 C. EL	47uF 16V		ケミコン	01
	C3846	UR237470 C. EL	47uF 16V		ケミコン	01
*	C3848	WJ608700 C. MYLAR	680pF 100V		マイラーコン	
	C3849-3850	UR257100 C. EL	10uF 35V		ケミコン	01
	C3851	US062100 C. CE. CHP	100pF 50V B		チップセラコン	01
	C3858	UR238100 C. EL	100uF 16V		ケミコン	
	C3860	US135100 C. CE. CHP	0.1uF 16V		チップセラコン	01
	C3861	UR266470 C. EL	4.7uF 50V		ケミコン	01
	C3863	US062100 C. CE. CHP	100pF 50V B		チップセラコン	01
	C3864	UR237100 C. EL	10uF 16V		ケミコン	
	C3865	US062100 C. CE. CHP	100pF 50V B		チップセラコン	01
	C3866	UR237100 C. EL	10uF 16V		ケミコン	
	C3867	UR266470 C. EL	4.7uF 50V		ケミコン	01
	C3868	US062100 C. CE. CHP	100pF 50V B		チップセラコン	01
	C3870	UR237100 C. EL	10uF 16V		ケミコン	
	C3871	US062100 C. CE. CHP	100pF 50V B		チップセラコン	01
	C3873	US062100 C. CE. CHP	100pF 50V B		チップセラコン	01
	C3874	UR237100 C. EL	10uF 16V		ケミコン	
	C3875-3876	UR266470 C. EL	4.7uF 50V		ケミコン	01
	C3877	UR237100 C. EL	10uF 16V		ケミコン	
	C3878	US135100 C. CE. CHP	0.1uF 16V		チップセラコン	01
	C3879	UR238100 C. EL	100uF 16V		ケミコン	
△	D3401	WU201600 DIODE	1N4003S TP		ダイオード	01
△ *	D3403	VV665400 DIODE. ZENR	RLZ39.0D 39V		ツェナーダイオード	
	D3404-3408	VT332900 DIODE	1SS355		ダイオード	01
△	D3409	WH487300 DIODE. BRG	RS203M 2.0A 200V		ブリッジダイオード	02
	D3410	VU172800 DIODE. ZENR	UDZS12B 12V	R	ツェナーダイオード	01
	D3411	VT332900 DIODE	1SS355		ダイオード	01
△ *	D3701	WW872000 DIODE. BRG	1.5A 600V DBL155G		ブリッジダイオード	
△	D3702	VV463000 DIODE. CHP	1.1A 200V D1FL20U		チップダイオード	01
△ *	D3703	WW170700 DIODE	SARS05		ダイオード	
*	D3704	WW745500 DIODE. SCHOTTKY	RB215T-90 20A 90V		ショットキーダイオード	
△	D3706-3715	VT332900 DIODE	1SS355		ダイオード	01
	D3801	VT332900 DIODE	1SS355		ダイオード	01
△	F3701	WR944000 FUSE	2A 250V		ヒューズ	
△	F3702	WB221200 FUSE	T6A 125V	JUCR	ヒューズ	01
△	F3702	VV071700 FUSE	3.15A 250V	TKABGFL	ヒューズ	01

* New Parts * 新規部品

VIDEO

Ref No.	Part No.	Description	Remarks	Markets	部 品 名	ランク
	IC301	X2904A00 IC	NJM2581M VIDEO AMP		アンプ IC	06
	IC302	XY549A00 IC	TC74HC4051AFEL		ロジック IC	02
	IC303	XY879A00 IC	TC74HC4053AF (EL)		ロジック IC	03
	IC304	X8875A00 IC	FHP33501M14X		アンプ IC	04
	IC305	X6742A00 IC	LA73050-TLM-E		アンプ IC	04
	IC341	X6143A00 IC	NJM2388F05 5.0V		電源 IC	04
	IC342	X4928A00 IC	KIA7805API 5V		電源 IC	02
△ *	IC371	YD359A00 IC	STR2A152		電源 IC	
△ *	IC372	WP388200 PHOT. CPL	TLP781 (D4-GR, F)		フォトカプラ	01
△ *	IC373	YA276A00 IC	TL431AC 2.5-36V		電源 IC	02
△ *	IC374	WP388200 PHOT. CPL	TLP781 (D4-GR, F)		フォトカプラ	01
	IC381-384	X7378A00 IC	NJM4565M (TE1)		アンプ IC	01
	IC385	X4928A00 IC	KIA7805API 5V		電源 IC	02
	IC387	X7378A00 IC	NJM4565M (TE1)		アンプ IC	01
*	IC388-389	YD360A00 IC	NJM2505A VIDEO AMP		アンプ IC	
*	PJ301	WH380900 PIN. JACK	9P G, B, R		ピンジャック	
	PJ302	V7190000 JACK. PIN	2P		ピンジャック	
	PJ304-305	V7190000 JACK. PIN	2P		ピンジャック	
	Q3001	VR936300 TR	2SA1576A T106		トランジスタ	01
△	Q3402	VP872600 TR	2SA1708 S, T		トランジスタ	01
	Q3403	VV655400 TR. DGT	DTC114EKA		デジタルトランジスタ	01
	Q3404	VV655000 TR. DGT	DTA114EKA		デジタルトランジスタ	01
	Q3405	VV655400 TR. DGT	DTC114EKA		デジタルトランジスタ	01
	Q3406	VV655000 TR. DGT	DTA114EKA		デジタルトランジスタ	01
	Q3407	VV655400 TR. DGT	DTC114EKA		デジタルトランジスタ	01
	Q3408	VV655000 TR. DGT	DTA114EKA		デジタルトランジスタ	01
	Q3409	VV655400 TR. DGT	DTC114EKA		デジタルトランジスタ	01
	Q3410	VV655000 TR. DGT	DTA114EKA		デジタルトランジスタ	01
	Q3411	VV655400 TR. DGT	DTC114EKA		デジタルトランジスタ	01
	Q3412	VV655000 TR. DGT	DTA114EKA		デジタルトランジスタ	01
	Q3413	iA101510 TR	2SA1015 Y		トランジスタ	01
	Q3414	WG538600 TR	KTA1046-Y-U/P		トランジスタ	02
	Q3415	iA101510 TR	2SA1015 Y		トランジスタ	01
	Q3416	iC181510 TR	2SC1815 Y		トランジスタ	01
	Q3701-3702	VQ986700 TR	2SC4081 T106		トランジスタ	01
	Q3703	VV655700 TR. DGT	DTC144EKA		デジタルトランジスタ	01
*	R3024	WW964500 R. MTL. OXD	1Ω 1/4W		酸化金属被膜抵抗	
*	R3027	WW964500 R. MTL. OXD	1Ω 1/4W		酸化金属被膜抵抗	
*	R3049-3050	WW964500 R. MTL. OXD	1Ω 1/4W		酸化金属被膜抵抗	
*	R3057-3058	WW964500 R. MTL. OXD	1Ω 1/4W		酸化金属被膜抵抗	
△ *	R3401	WW965300 R. MTL. OXD	2.2Ω 1/4W		酸化金属被膜抵抗	
*	R3403	WW972900 R. MTL. OXD	3.3KΩ 1/4W		酸化金属被膜抵抗	
*	R3405	WW966900 R. MTL. OXD	10Ω 1/4W		酸化金属被膜抵抗	
△	R3409	HL002220 R. MTL. OXD	0.22Ω 1/2W		酸化金属被膜抵抗	01
*	R3412-3415	WW974100 R. MTL. OXD	10KΩ 1/4W		酸化金属被膜抵抗	
*	R3416	WW972500 R. MTL. OXD	2.2KΩ 1/4W	R	酸化金属被膜抵抗	
*	R3421-3422	WW973300 R. MTL. OXD	4.7KΩ 1/4W		酸化金属被膜抵抗	
△ *	R3703	WU547900 R. OTHER	3MΩ 1/2W		耐サージ固定抵抗	
	R3805	V8070100 R. MTL. FLM	2.2Ω 1W		金属被膜抵抗	01
	R3811	V8070100 R. MTL. FLM	2.2Ω 1W		金属被膜抵抗	01
	R3815	V8070100 R. MTL. FLM	2.2Ω 1W		金属被膜抵抗	01
	RY341-345	WJ122400 RELAY	981-2A-24DS-SP7		リレー	04
△ *	RY371	WQ804100 RELAY	DC DLS5D1-0 (M) 0.25		リレー	04
△ *	T3701	YD115B00 TRANS. SUB			サブトランス	
*	TE341	WW728900 TERM. SP	4P	JUCRTA	スピーカー端子	
*	TE341	WW726500 TERM. SP	4P	KBGFL	スピーカー端子	
*	TE342	WW726600 TERM. SP	6P	JUCRTA	スピーカー端子	

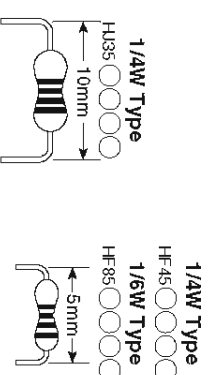
* New Parts * 新規部品

VIDEO

Ref No.	Part No.	Description	Remarks	Markets	部品名	フリガナ
* TE342	WN728800	TERM. SP		KBGFL	スビーカー端子	03
* TE343	WN728900	TERM. SP		JUCRTA	スビーカー端子	
* TE343	WN726500	TERM. SP		KBGFL	スビーカー端子	
* TH371	WF544600	PTC THERMISTOR			PTCサーミスタ	01
△	WE774200	SCR. BND. HD			パインドタイプトネジ	
		NPAD5R1DWB0.5.1 3x10 MFZM2W3				

Carbon Resistors

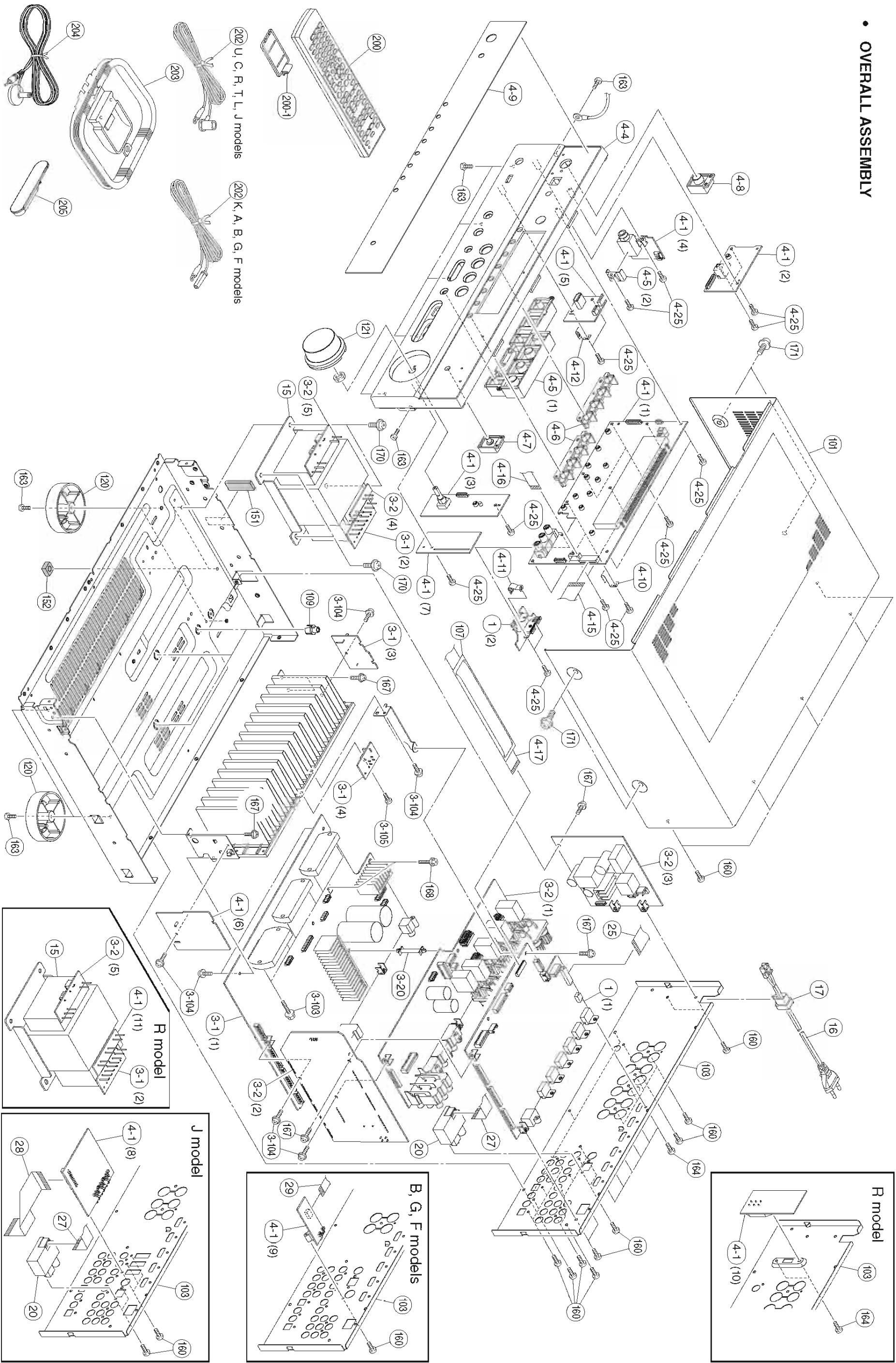
Value	1/4W Type Part No.	1/6W Type Part No.	Value	1/4W Type Part No.	1/6W Type Part No.
1.0 Ω	HJ35 3100	HF85 3100	11 KΩ	HF45 7110	HF45 7110
1.8 Ω	HJ35 3180	*	12 KΩ	HJ35 7120	HF85 7120
2.2 Ω	HJ35 3220	HF85 3220	13 KΩ	HF45 7130	HF45 7130
3.3 Ω	HJ35 3330	HF85 3330	15 KΩ	HF45 7150	HF45 7150
4.7 Ω	HJ35 3470	HF85 3470	18 KΩ	HF45 7180	HF45 7180
5.6 Ω	HJ35 3560	HF85 3560	22 KΩ	HF45 7220	HF45 7220
10 Ω	HF45 4100	HF45 4100	24 KΩ	HF45 7240	HF45 7240
15 Ω	HJ35 4150	HF85 4150	27 KΩ	HJ35 7270	HF85 7270
22 Ω	HF45 4220	HF45 4220	30 KΩ	HF45 7300	HF45 7300
27 Ω	HJ35 4270	HF85 4270	33 KΩ	HF45 7330	HF45 7330
33 Ω	HF45 4330	HF45 4330	36 KΩ	HF45 7360	HF45 7360
39 Ω	HJ35 4470	HF85 4390	39 KΩ	HF45 7390	HF45 7390
47 Ω	HF45 4470	HF45 4470	47 KΩ	HF45 7470	HF45 7470
56 Ω	HF45 4560	HF45 4560	51 KΩ	HF45 7510	HF45 7510
68 Ω	HF45 4680	HF45 4680	56 KΩ	HF45 7560	HF45 7560
75 Ω	HF45 4750	HF45 4750	62 KΩ	HF45 7620	HF45 7620
82 Ω	HF45 4820	HF45 4820	68 KΩ	HF45 7680	HF45 7680
91 Ω	HF45 4910	HF45 4910	82 KΩ	HF45 7820	HF45 7820
100 Ω	HF45 5100	HF45 5100	91 KΩ	HF45 7910	HF45 7910
110 Ω	HJ35 5110	HF85 5110	100 KΩ	HF45 8100	HF45 8100
120 Ω	HF45 5120	HF45 5120	110 KΩ	HF45 8110	HF45 8110
150 Ω	HF45 5150	HF45 5150	120 KΩ	HF45 8120	HF45 8120
160 Ω	HJ35 5160	*	130 KΩ	HF45 8130	*
180 Ω	HF45 5180	HF45 5180	150 KΩ	HF45 8150	HF45 8150
200 Ω	HF45 5200	HF45 5200	180 KΩ	HF45 8180	HF45 8180
220 Ω	HF45 5220	HF45 5220	220 KΩ	HJ35 8220	HF85 8220
270 Ω	HF45 5270	HF45 5270	270 KΩ	HF45 8270	HF45 8270
330 Ω	HF45 5330	HF45 5330	300 KΩ	HF45 8300	HF45 8300
390 Ω	HF45 5390	HF45 5390	330 KΩ	HF45 8330	HF45 8330
430 Ω	HF45 5430	HF45 5430	390 KΩ	HJ35 8390	HF85 8390
470 Ω	HF45 5470	HF45 5470	470 KΩ	HF45 8470	HF45 8470
510 Ω	HF45 5510	HF45 5510	560 KΩ	HJ35 8560	HF85 8560
560 Ω	HF45 5560	HF45 5560	680 KΩ	HJ35 8680	HF85 8680
680 Ω	HF45 5680	HF45 5680	820 KΩ	HJ35 8820	HF85 8820
820 Ω	HF45 5820	HF45 5820	1.0 MΩ	HF45 9100	HF45 9100
910 Ω	HF45 5910	HF45 5910	1.2 MΩ	HJ35 9120	*
1.0 KΩ	HF45 6100	HF45 6100	1.5 MΩ	HJ35 9150	HF85 9150
1.2 KΩ	HF45 6120	HF45 6120	1.8 MΩ	HJ35 9180	HF85 9180
1.5 KΩ	HF45 6150	HF45 6150	2.2 MΩ	HJ35 9220	HF85 9220
1.8 KΩ	HF45 6180	HF45 6180	3.3 MΩ	HJ35 9330	HF85 9330
2.0 KΩ	HJ35 6200	HF85 6200	3.9 MΩ	HJ35 9390	*
2.2 KΩ	HF45 6220	HF45 6220	4.7 MΩ	HJ35 9470	HF85 9470
2.4 KΩ	HJ35 6240	HF85 6240			
2.7 KΩ	HF45 6270	HF45 6270			
3.0 KΩ	HF45 6300	HF45 6300			
3.3 KΩ	HF45 6330	HF45 6330			
3.6 KΩ	HJ35 6360	HF85 6360			
3.9 KΩ	HF45 6390	HF45 6390			
4.7 KΩ	HF45 6470	HF45 6470			
5.1 KΩ	HF45 6510	HF45 6510			
5.6 KΩ	HF45 6560	HF45 6560			
6.8 KΩ	HF45 6680	HF45 6680			
8.2 KΩ	HF45 6820	HF45 6820			
9.1 KΩ	HF45 6910	HF45 6910			
10 KΩ	HF45 7100	HF45 7100			



* New Parts * 新規部品

* : Not available

• OVERALL ASSEMBLY



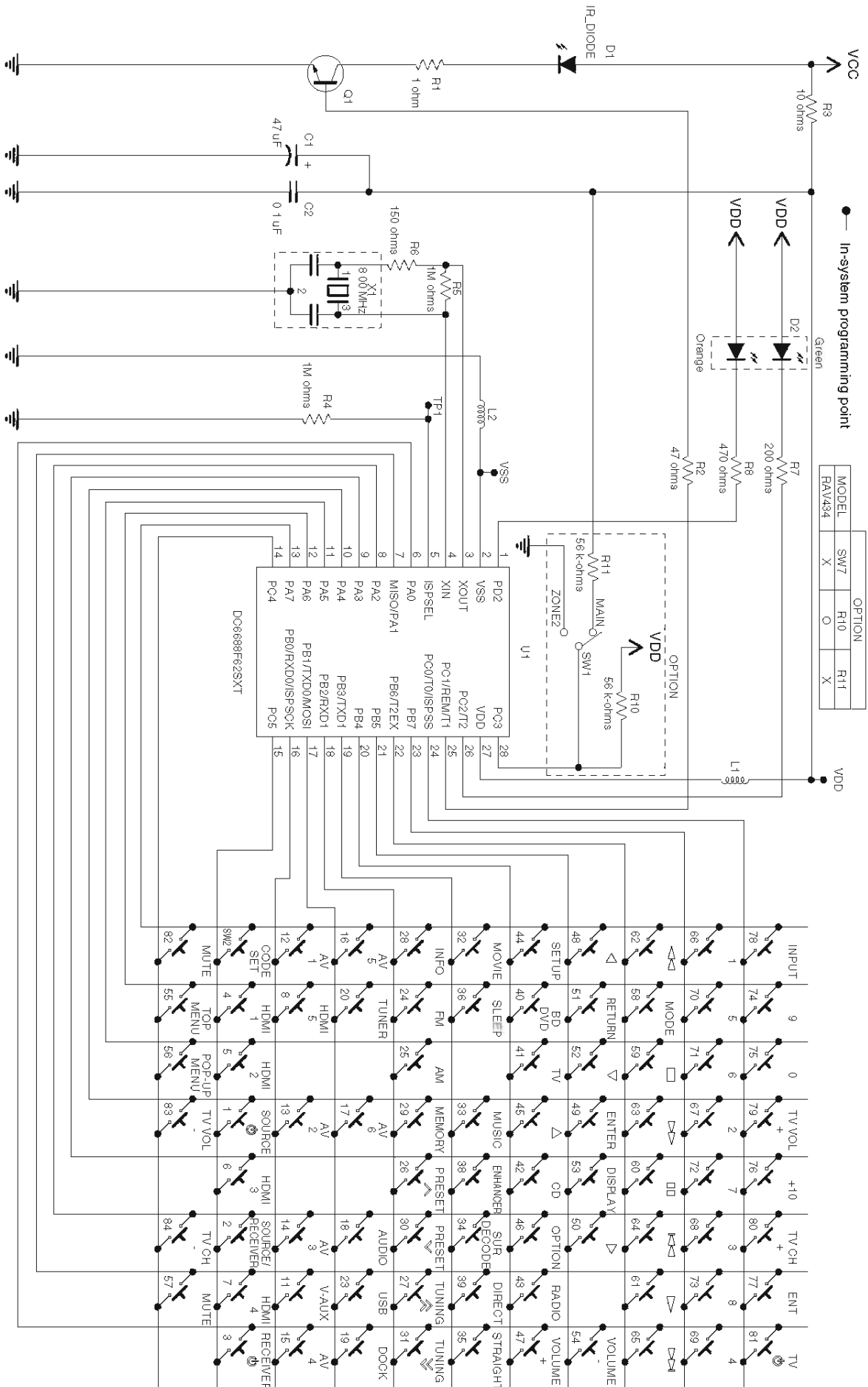
Ref No.	Part No.	Description	Remarks	Markets	部品名	ラック
* 1	WN915400	P.C.B. ASSEMBLY	V571	JUORTKAL	PCB DIGITAL	01
* 1	WN924900	P.C.B. ASSEMBLY	5064	UK	PCB DIGITAL	01
* 1	WN915300	P.C.B. ASSEMBLY	V571	BGF	PCB DIGITAL	01
* 1	WN925000	P.C.B. ASSEMBLY	5064	GF	PCB DIGITAL	01
* 3-1	WN917400	P.C.B. ASSEMBLY		JRTKABGFL	PCB MAIN	
* 3-1	WN917500	P.C.B. ASSEMBLY		UC	PCB MAIN	
* 3-2	WN917600	P.C.B. ASSEMBLY		J	PCB VIDEO	
* 3-2	WN917700	P.C.B. ASSEMBLY		U	PCB VIDEO	
* 3-2	WN917800	P.C.B. ASSEMBLY		C	PCB VIDEO	
* 3-2	WN917900	P.C.B. ASSEMBLY		R	PCB VIDEO	
* 3-2	WN918000	P.C.B. ASSEMBLY		T	PCB VIDEO	
* 3-2	WN918100	P.C.B. ASSEMBLY		K	PCB VIDEO	
* 3-2	WN918200	P.C.B. ASSEMBLY		A	PCB VIDEO	
* 3-2	WN918300	P.C.B. ASSEMBLY		BGF	PCB VIDEO	
* 3-2	WN918400	P.C.B. ASSEMBLY		L	PCB VIDEO	
* 3-20	WS000800	SPACER SUPPORT			スパーササポート	01
3-103	WE774600	IC SCREEN			ICスクリーン	01
3-104	WE022600	PW HEAD B-TIGHT SCREW			PWヘッドBタイトネジ	01
3-105	WE774300	BLND HEAD B-TIGHT SCREW			バンドヘッドBタイトネジ	01
* 4-1	WN919500	P.C.B. ASSEMBLY		J	PCB OPERATION	
* 4-1	WN919600	P.C.B. ASSEMBLY		UOTKAL	PCB OPERATION	
* 4-1	WN919800	P.C.B. ASSEMBLY		R	PCB OPERATION	
* 4-1	WN919900	P.C.B. ASSEMBLY		BGF	PCB OPERATION	
* 4-4	WN585700	FRONT PANEL			フロントパネル	
* 4-4	WN585800	FRONT PANEL		J	フロントパネル	
* 4-4	WN585900	FRONT PANEL		UCRTKABGFL	フロントパネル	
* 4-4	WN586100	FRONT PANEL			フロントパネル	
* 4-4	WT822500	BUTTON		GD	ボタン	03
* 4-5	WT822300	BUTTON		BL	ボタン	01
* 4-5	WT822400	BUTTON		TI	ボタン	04
* 4-5	WT822600	BUTTON		SI	ボタン	01
* 4-6	WT823800	BUTTON			ボタン	01
* 4-7	WT843700	BUTTON			ボタン	02
* 4-8	WN595700	WINDOW SHEET	V571		ウインドウシート	
* 4-9	WN595800	WINDOW SHEET	5064		ウインドウシート	
* 4-10	WN582900	EARTH PLATE			アースプレート	01
* 4-11	WN032100	EARTH PLATE			アースプレート	
* 4-12	WN117250	FLEXIBLE FLAT CABLE		USB	フレキシブルフラットケーブル	04
* 4-13	WN109180	FLEXIBLE FLAT CABLE		9P 290mm P=1.25	フレキシブルフラットケーブル	04
* 4-16	WN295000	FLEXIBLE FLAT CABLE		20P 220mm P=1.0	フレキシブルフラットケーブル	01
* 4-17	WE774800	BLND HEAD B-TIGHT SCREW		3x8	バンドヘッドBタイトネジ	01
4-25	Y0326400	POWER TRANSFORMER		J	電源トランス	
* 15	Y0327400	POWER TRANSFORMER		UG	電源トランス	
* 15	Y0328400	POWER TRANSFORMER		R	電源トランス	
* 15	Y0329400	POWER TRANSFORMER		TK	電源トランス	
* 15	Y0330400	POWER TRANSFORMER		AL	電源トランス	
* 15	Y0331400	POWER TRANSFORMER		BGF	電源トランス	
* 16	WN636300	POWER CABLE		J	電源コード	07
* 16	WN120500	POWER CABLE		UG	電源コード	
* 16	WN092700	POWER CABLE		R	電源コード	
* 16	WN836600	POWER CABLE		T	電源コード	
* 16	WN753000	POWER CABLE		K	電源コード	
* 16	WN743700	POWER CABLE		A	電源コード	
* 16	WN8212200	POWER CABLE		B	電源コード	
* 16	WN336900	POWER CABLE		B	電源コード	
17	V2438700	CORP STOPPER		GF	コープストッパー	
* 20	WN196500	AW/FM TUNER		JUORTL	AM/FMチューナー	02
* 20	WN196600	AW/FM TUNER		KABGF	AM/FMチューナー	
* 20	WN17100	FLEXIBLE FLAT CABLE		J	フレキシブルフラットケーブル	01
* 20	WN109200	FLEXIBLE FLAT CABLE		J	フレキシブルフラットケーブル	01
* 27	WN20070	FLEXIBLE FLAT CABLE		J	フレキシブルフラットケーブル	01
* 28	WN105180	FLEXIBLE FLAT CABLE		BGF	フレキシブルフラットケーブル	01
* 29						01

* New Parts * 新規部品

Ref No.	Part No.	Description	Remarks	Markets	部品名	ラック
101	WT980000	TOP COVER		GD	トップカバー	09
101	WT979800	TOP COVER		BL	トップカバー	
101	WT979900	TOP COVER		TI	トップカバー	
101	WT980100	TOP COVER		SI	トップカバー	09
* 103	WN601200	REAR PANEL		V571	リアパネル	
* 103	WN600400	REAR PANEL		V571	リアパネル	
* 103	WN601300	REAR PANEL		5064	リアパネル	
* 103	WN600600	REAR PANEL		V571	リアパネル	
* 103	WN600700	REAR PANEL		V571	リアパネル	
* 103	WN600800	REAR PANEL		V571	リアパネル	
* 103	WN601500	REAR PANEL		5064	リアパネル	
* 103	WN600900	REAR PANEL		V571	リアパネル	
* 103	WN601000	REAR PANEL		V571	リアパネル	
* 103	WN601600	REAR PANEL		5064	リアパネル	
* 103	WN601100	REAR PANEL		V571	リアパネル	
* 107	WT074400	BARRIER SUPPORT		V571	バリヤ	
109	WD064500	LEG		H8	サポーター	01
* 120	WN959300	LEG		GD	レッグ	
* 120	WN959110	LEG		BL, TI, SI	レッグ	
* 121	WN583200	KNOB		GD	ノブ	
* 121	WN583000	KNOB		BL	ノブ	
* 121	WN583100	KNOB		TI	ノブ	
* 121	WN583300	KNOB		SI	ノブ	
151	WB870100	DAMPER			ダンパー	
152	WC879000	DAMPER			ダンパー	
160	WE774100	BLND HEAD BONDING B-T. SCREW			バンドヘッドボンディングB-T.ネジ	01
163	WE774300	BLND HEAD B-TIGHT SCREW			バンドヘッドBタイトネジ	01
164	WE877900	BLND HEAD S-TIGHT SCREW			バンドヘッドSタイトネジ	01
167	WE002600	PW HEAD B-TIGHT SCREW			PWヘッドBタイトネジ	01
168	WE774600	IC SCREEN			ICスクリーン	01
170	WU048900	BLND HEAD S-TIGHT SCREW			バンドヘッドSタイトネジ	01
171	V0069600	PW HEAD S-TIGHT SCREW			PWヘッドSタイトネジ	01
171	VH313200	PW HEAD S-TIGHT SCREW			PWヘッドSタイトネジ	01
* 200	WN510600	ACCESSORIES			付属品	
200-1	AA82380	REMOTE CONTROL BATTERY COVER		000-213240040	リモコン電池蓋	03
202	V6267000	FM ANTENNA		00-2209	FMアンテナ	03
202	V0147100	FM ANTENNA			FMアンテナ	02
* 203	WY296700	AM ANTENNA			AMアンテナ	
204	WN649600	YPAD MICROPHONE		S0160BL-26	YPAOマイク	08
205	WU187800	VVIDEO AUX INPUT COVER		GD	前面入力端子保護用キャップ	03
205	WU187600	VVIDEO AUX INPUT COVER		BL	前面入力端子保護用キャップ	03
205	WU187700	VVIDEO AUX INPUT COVER		TI	前面入力端子保護用キャップ	03
205	WU187900	VVIDEO AUX INPUT COVER		SI	前面入力端子保護用キャップ	03
205		BATTERY			単4乾電池	

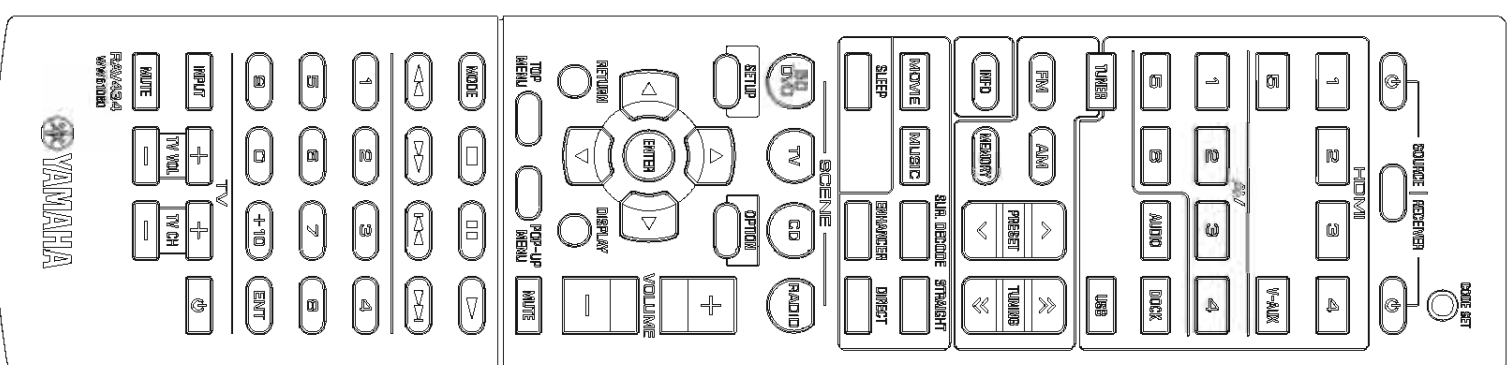
* New Parts * 新規部品

REMOTE CONTROL SCHEMATIC DIAGRAM

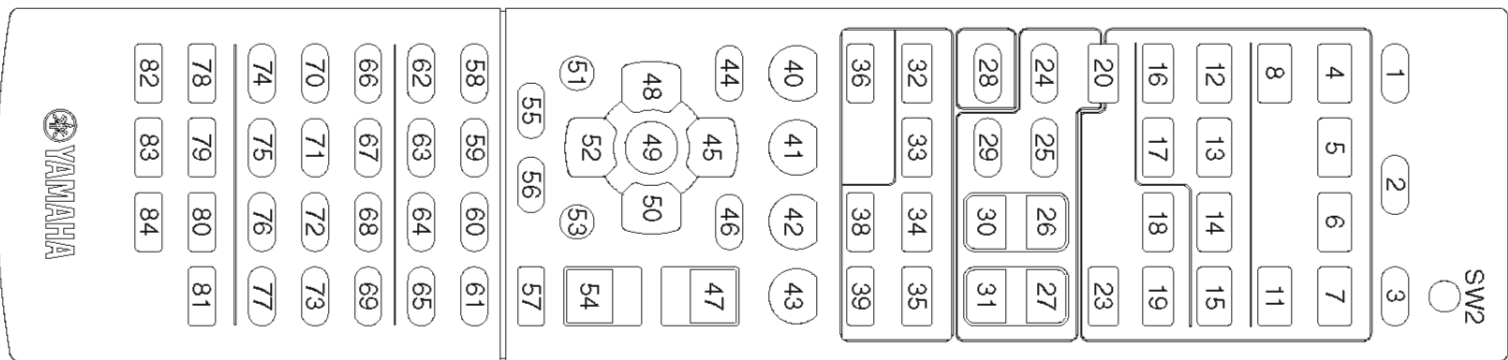


PANEL

RAV434

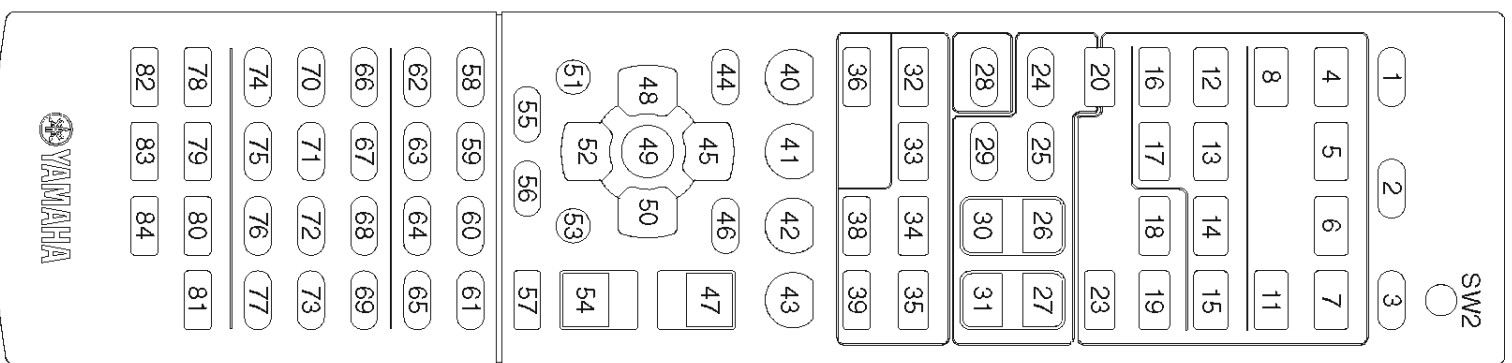


KEY NO. LAYOUT



KEY CODE
AMP MODE

Key No	FUNCTION	ID-1 (5019)		ID-3 (5020)	
		MAIN [CODE SET]	ZONE2 [CODE SET]	MAIN [CODE SET]	ZONE2 [CODE SET]
SW2	SOURCE / RECEIVER				
* select RCU mode "SOURCE" or "RECEIVER"					
K2	RECEIVER	7E-2A	7A-453A	7E-2A04	7A-453B
K3	HDMI-1	7A-4738	7A-4837	7A-4739	7A-4836
K4	HDMI-2	7A-4A35	7A-4B34	7A-4A34	7A-4B35
K5	HDMI-3	7A-4D32	7A-4E31	7A-4D33	7A-4E30
K6	HDMI-4	7A-502F	7A-512E	7A-502E	7A-512F
K7	HDMI-5	7A-700F	7A-710E	7A-700E	7A-710F
K8	V-AUX	7A-5F	7A-D8	7A-5FAS	7A-D826
K9	AV-1	7A-5A2B	7A-5A2B	7A-5A2B	7A-5A2A
K10	AV-2	7A-5B2C	7A-5B2B	7A-5B2B	7A-5B29
K11	AV-3	7A-5C23	7A-5A25	7A-5C2F	7A-5A24
K12	AV-4	7A-5D22	7A-5D22	7A-5D22	7A-5D23
K13	AV-5	7A-5F20	7A-601F	7A-5F21	7A-601E
K14	AV-6	7A-621D	7A-631C	7A-621C	7A-631D
K15	AUDIO	7A-651A	7A-6819	7A-651B	7A-6818
K16	DOCK	7F01-4A	7F01-4B	7F01-4ABA	7F01-4B8B
K17	TUNER	7A-16	7A-D2	7A-16E8	7A-D22C
K18	USB	7F01-720D	7F01-730C	7F01-730C	7F01-730D
K19	FM	7F01-5827	7F01-5926	7F01-5828	7F01-5927
K20	AM	7F01-552A	7F01-5629	7F01-552B	7F01-5628
K21	PRESET	7F01-5B24	7F01-5C23	7F01-5B25	7F01-5C22
K22	TUNING	7F01-611E	7F01-621D	7F01-611F	7F01-621C
K23	INFO	7A-2758	7A-2857	7A-2759	7A-2856
K24	MEMORY	7F01-6718	7F01-6817	7F01-6719	7F01-6816
K25	PRESET	7F01-5E21	7F01-5F20	7F01-5E20	7F01-5F21
K26	TUNING	7F01-641B	7F01-651A	7F01-641A	7F01-651B
K27	MOVIE	7A-88	-	7A-8878	-
K28	MUSIC	7A-89	-	7A-8977	-
K29	SUR DECODE	7A-8D	-	7A-8D73	-
K30	STRAIGHT	7A-66	-	7A-66A8	-
K31	SLEEP	7A-30	7A-31	7A-30CE	7A-31CF
K32	ENHANCER	7A-94	-	7A-946A	-
K33	DIRECT	7A-DD	-	7A-DD23	-
K34	BD/DVD (SCENE)	7A-007F	7A-017E	7A-007E	7A-017F
K35	TV (SCENE)	7A-037C	7A-047B	7A-037D	7A-047A
K36	CD (SCENE)	7A-0679	7A-0778	7A-0678	7A-0779
K37	RADIO (SCENE)	7A-0976	7A-0A75	7A-0977	7A-0A74
K38	SETUP	7A-84	-	7A-847A	-
K39	OPTION	7A-6B14	-	7A-6B15	-
K40	VOLUME (+)	7A-1A	7A-DA	7A-1AE4	7A-DA24
K41	VOLUME (-)	7A-1B	7A-DB	7A-1BE5	7A-DB25
K42	MUTE	7A-1C	7A-DC	7A-1CE2	7A-DC22



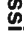
SOURCE MODE

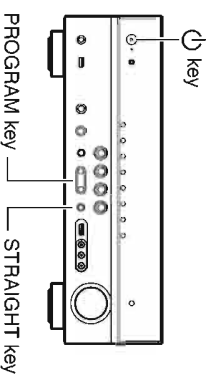
Key No	FUNCTION	IR code in "RECEIVER" mode				IR code in "SOURCE" mode		K23	K20	K19 [DPOCK or B]	K18	K17	K16	K15	K14	K13	K12	K11	K8 [HDMI-5 or A]	K7	K6	K5	K4
		ID-1 (6019)	ZONE2	MAIN	ZONE2	ID-1 / ID-2	MAIN / ZONE2 / ZONE3																
K45	Δ (UP)	7A-9D	7A-2B54	7A-9D83	7A-2B55																		
K48	◀ (LEFT)	7A-9F	7A-2D52	7A-9F81	7A-2D53																		
K49	ENTER	7A-DE	7A-2F50	7A-DE20	7A-2F51																		
K50	▷ (RIGHT)	7A-9E	7A-2E51	7A-9E80	7A-2E50																		
K51	RETURN	7A-4A	7A-3C48	7A-4A54	7A-3C42																		
K52	▽ (DOWN)	7A-9C	7A-2C53	7A-9C82	7A-2C52																		
K53	DISPLAY	7F01-80	7F01-80	7F01-809E	7F01-807E																		
K58	MODE	7F01-66	7F01-66	7F01-6698	7F01-6678																		
K59	□ (STOP)	7F01-69	7F01-69	7F01-6997	7F01-6977																		
K60	▢ (PAUSE)	7F01-67	7F01-67	7F01-6799	7F01-6779																		
K61	▶ (PLAY)	7F01-68	7F01-68	7F01-6896	7F01-6876																		
K62	◀ (REW)	7F01-6A	7F01-6A	7F01-6A94	7F01-6A74																		
K63	↺ (FF)	7F01-6B	7F01-6B	7F01-6B96	7F01-6B75																		
K64	⏮ (SKIP -)	7F01-6C	7F01-6C	7F01-6C92	7F01-6C72																		
K65	⏭ (SKIP +)	7F01-6D	7F01-6D	7F01-6D93	7F01-6D73																		
K66	1	7F01-51	7F01-71	7F01-51AF	7F01-718F																		
K67	2	7F01-52	7F01-72	7F01-52AC	7F01-728C																		
K68	3	7F01-53	7F01-73	7F01-53AD	7F01-738D																		
K69	4	7F01-54	7F01-74	7F01-54AA	7F01-748A																		
K70	5	7F01-55	7F01-75	7F01-55AB	7F01-758B																		
K71	6	7F01-56	7F01-76	7F01-56A8	7F01-7688																		
K72	7	7F01-57	7F01-77	7F01-57A9	7F01-7789																		
K73	8	7F01-58	7F01-78	7F01-58AA	7F01-788A																		
K74	9	7F01-59	7F01-79	7F01-59A7	7F01-7987																		
K75	0	7F01-5A	7F01-7A	7F01-5AA4	7F01-7A84																		
K76	+0	7F01-5B	7F01-7B	7F01-5BA5	7F01-7B85																		
K77	ENT	7F01-5C	7F01-7C	7F01-5CA2	7F01-7C82																		
K1	⊕ SOURCE	* SOURCE *																					
K55	TOP MENU	7A-ADDF	7A-A1DE	7A-ADDE	7A-A1DF																		
K56	POP-UP MENU	7A-ADDB	7A-A5DA	7A-ADDA	7A-A5DB																		
K78	TV INPUT	* switch RCU to "SOURCE" mode																					
K79	TV VOL (+)	* switch RCU to "SOURCE" mode																					
K80	TV CH (+)	* switch RCU to "SOURCE" mode																					
K81	TV ⊕	* SOURCE (TV) *																					
K82	TV MUTE	* SOURCE (TV) *																					
K83	TV VOL (-)	* SOURCE (TV) *																					
K84	TV CH (-)	* SOURCE (TV) *																					

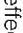
■ CONFIGURING THE SYSTEM SETTINGS

Operating the ADVANCED SETUP menu

Looking at the front display to configure the system settings of the unit.

- 1 Switch the unit to the standby mode if the unit is turned on.
- 2 Press  while pressing and holding STRAIGHT on the front panel.



- 3 Press PROGRAM to select the item.
- 4 Press STRAIGHT to select the value.
- 5 Press  to switch the unit to the standby mode, and then switch it on again.
The settings become effective and the unit is turned on.

Features of the ADVANCED SETUP menu

Items	Descriptions
SP IMP.	Sets the impedance of speakers. (U, C models)
REMOTE ID	Changes the remote control ID of a receiver.
BI-AMP	Switches the bi-amp connections on or off.
TV FORMAT	Specifies the TV's color encoding format.
MON.CHK	Removes the up-scaling limitation on HDMI video output.
TU	Selects one of the following FM/AM frequency steps. (R, L models)
INIT	Initializes various settings for the unit.

Changing the speaker impedance (U, C models)

SP IMP. ~ 8ΩMIN

Changes the unit settings depending on the impedance of the speakers connected.

Settings

6ΩMIN	Select the impedance when 6Ω speakers are connected.
8ΩMIN (Default)	Select the impedance when speakers above 8Ω are connected.

Changing the remote control ID

REMOTE ID ~ ID1

The remote control of the unit can only receive signals from a receiver which has an identical ID (remote control ID). When using multiple Yamaha AV receivers, you can set each remote control with a unique remote control ID for its corresponding receiver.

Settings

ID1 (Default), ID2

■ **To change the remote control ID of the remote control**
Perform each of the following steps within 1 minute. Settings will be automatically stopped if more than 1 minute passes since the last operation.

- 1 Press CODE SET on the remote control using a pointed object such as the tip of a ballpoint pen.
- 2 Press SOURCE/RECEIVER.
- 3 Enter "5019" (to switch to ID1) or "5020" (to switch to ID2) with the numeric keys.
Once the remote control code is registered successfully the remote control will blink twice. If SOURCE/RECEIVER blinks 6 times, the registration failed. Repeat from step 1.



- If the remote control ID is changed, the registered settings of the remote control code are kept.

Setting the bi-amp connections

BI-AMP ~ OFF

Switch the bi-amp connections of the front speakers on or off. Refer to "Connecting front speakers compatible with bi-amp connection" for details.

Settings

ON	Turns bi-amp connections on.
OFF (Default)	Turns bi-amp connections off.

Changing TV format

TU FORMAT ~ NTSC

Change the color encoding format of TV monitor to PAL or NTSC, to match the format used by the TV connected to the unit.

Settings

NTSC, PAL



- The default setting differs depending on your country or region.

Removing HDMI video output upscaling limits

MON.CHK ~ YES

This unit automatically detects the resolutions supported by the TV connected to this unit with an HDMI cable, and restricts the resolution selected in the "Resolution" of the "Setup" menu (monitor check function). When a resolution that the TV does not support needs to be selected, this menu will remove the limitation from the settings selected in "Resolution."

Settings

YES (Default)	Enables the monitor check function. (Video output signals of a resolution not supported by the TV will not be transmitted.)
SKIP	Disables the monitor check function. (Video output signals of any resolution will be transmitted.)



- If no picture is output from the TV and this unit goes out of control after "MON.CHK" is set to "SKIP" set this item back to "YES."

Changing FM/AM frequency steps (R, L models)

TU ~ AM9/FM50

You can select one of the following FM/AM frequency steps:

Settings

AM10/FM100	You can adjust the AM frequency by steps of 10kHz and FM by steps of 100kHz.
AM9/FM50	You can adjust the AM frequency by steps of 9kHz and FM by steps of 50kHz.



- The default setting differs depending on your country or region.



- For details on setting FM/AM frequency steps, refer to "Changing FM/AM tuner frequency steps (R, L models)".

Initializing various settings for the unit

INIT ~ CANCEL

Initialize various settings stored in the unit depending on the selected item from the following.

Settings

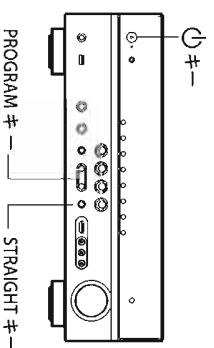
DSP PARAM	Initializes all parameters for the sound programs.
ALL	Resets the unit to default factory settings.
CANCEL (Default)	Does not initialize.

■ システム設定を変更する

アドバイザーセットアップメニューを操作する

前面ディスプレイを見ながら、本機のシステム設定を変更します。

- 1 本機の電源が入っている場合は、電源をスタンバイにする。
- 2 前面の STRAIGHT キーを押しながら **⇩** キーを押す。



- 3 PROGRAM キーで設定項目を選ぶ。
- 4 STRAIGHT キーで設定値を選ぶ。
- 5 **⇩** キーで電源をスタンバイにしてから、再度電源を入れる。
設定変更が反映されて、本機の電源が入ります。

アドバイザーセットアップメニューでできること

項目	説明
REMOTE ID	本体側のリモコンIDを変更します。
BI-AMP	バイアンプ接続を有効/無効にします。
TV FORMAT	ビデオ信号方式を切り替えます。
MON.CHK	HDMI 映像出力の制限を解除します。
INIT	各種設定を初期化します。

リモコンIDの変更

REMOTE ID - ID1

リモコン側のリモコンID (初期値: ID1) と一致するよう、本体側のリモコンIDを変更します。複数のヤマハ製 AV レシーバーをお使いの場合、それぞれのリモコンで各レシーバーを操作するために、リモコンID が重ならないように設定します。

設定値
ID1 (初期値)、ID2

■ リモコン側のリモコンID 設定

各手順を1分以内に操作してください。前の手順から1分経過すると設定が中止されます。

- 1 ボールペンなどの先の細長いもので、リモコンの CODE SET ボタンを押す。
- 2 SOURCE/RECEIVER キーを押す。
- 3 数字キーで「5019」(ID1に設定) または「5020」(ID2に設定) を入力する。
設定が完了すると、SOURCE/RECEIVERキーが2回点滅します。
6回点滅した場合は設定失敗です。手順1からやり直してください。



・リモコンIDを変更しても、登録済みのリモコンコードは保持されます。

バイアンプ接続の設定

BI-AMP - OFF

フロントスピーカーのバイアンプ接続を有効/無効にします。バイアンプ接続についての詳しい説明は、「バイアンプ接続対応のフロントスピーカーを接続する」をご覧ください。

設定値
ON バイアンプ接続を有効にする。
OFF (初期値) バイアンプ接続を無効にする。

ビデオ信号方式の変更

TV FORMAT-NTSC

お使いのテレビに合わせて、本機のビデオ信号方式をNTSCかPALに切り替えます。

設定値
NTSC (初期値)、PAL

HDMI 映像出力の制限解除

MON.CHK - YES

本機は、HDMI OUT 端子に接続したテレビが対応している解像度を自動的に判別します(モニターチェック)。本機の判別に関わらずセットアップメニューの「解像度」で出力する解像度を指定する場合や、テレビの解像度を本機が判別できない場合は、「解像度」で指定した制限を解除します。

設定値

YES (初期値) モニターチェックを有効にする (テレビが対応している解像度の映像のみ出力)。
SKIP モニターチェックを無効にする (テレビの対応に関わらず映像を出力)。



・「SKIP」に設定したあと、テレビ画面に映像が出力されず本機での操作ができなくなる場合は、「MON.CHK」を「YES」に設定してください。

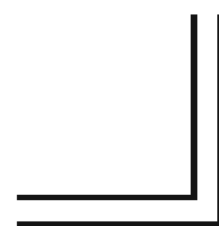
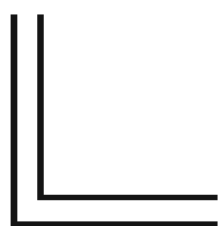
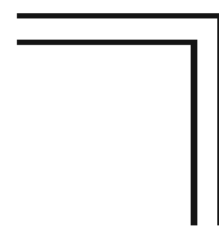
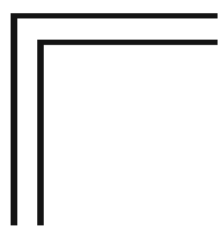
設定の初期化

INIT - CANCEL

選択した項目に当たって設定を初期化します。

設定値
DSP PARAM 音場プログラムに関連する設定を初期化する。
ALL すべての設定を初期化する。
CANCEL (初期値) 初期化しない。

MEMO



RX-V571/HTR-5064

